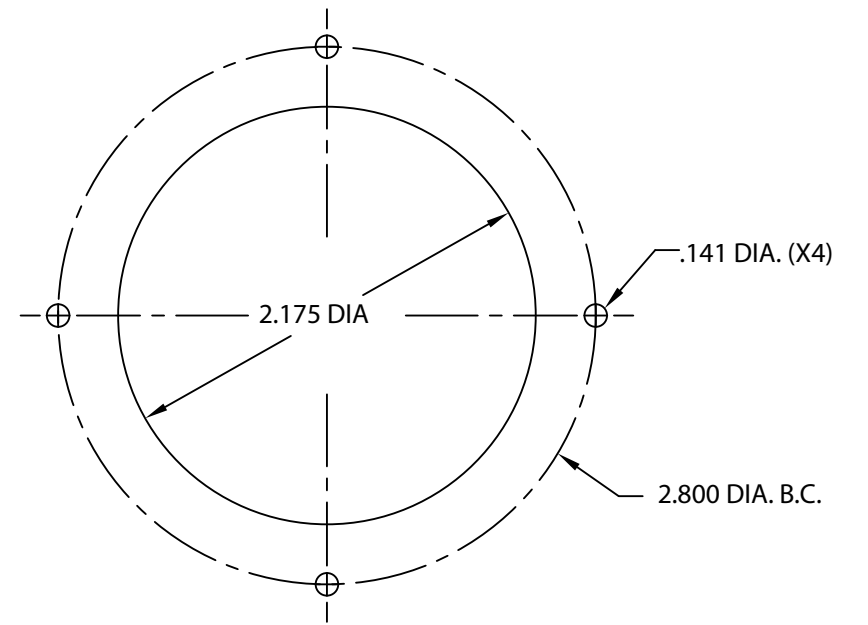
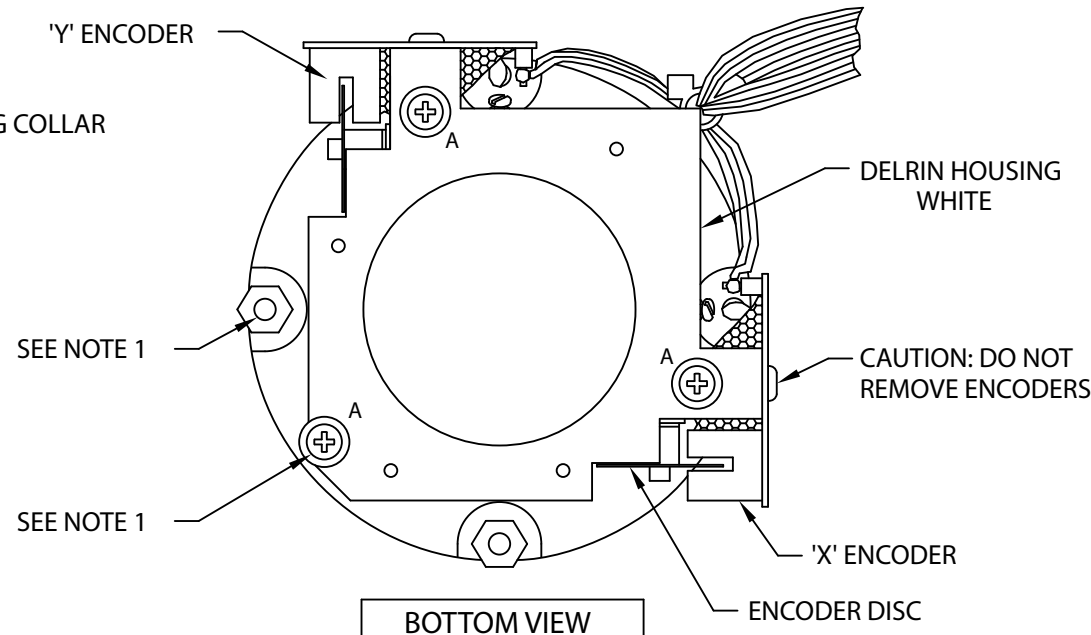
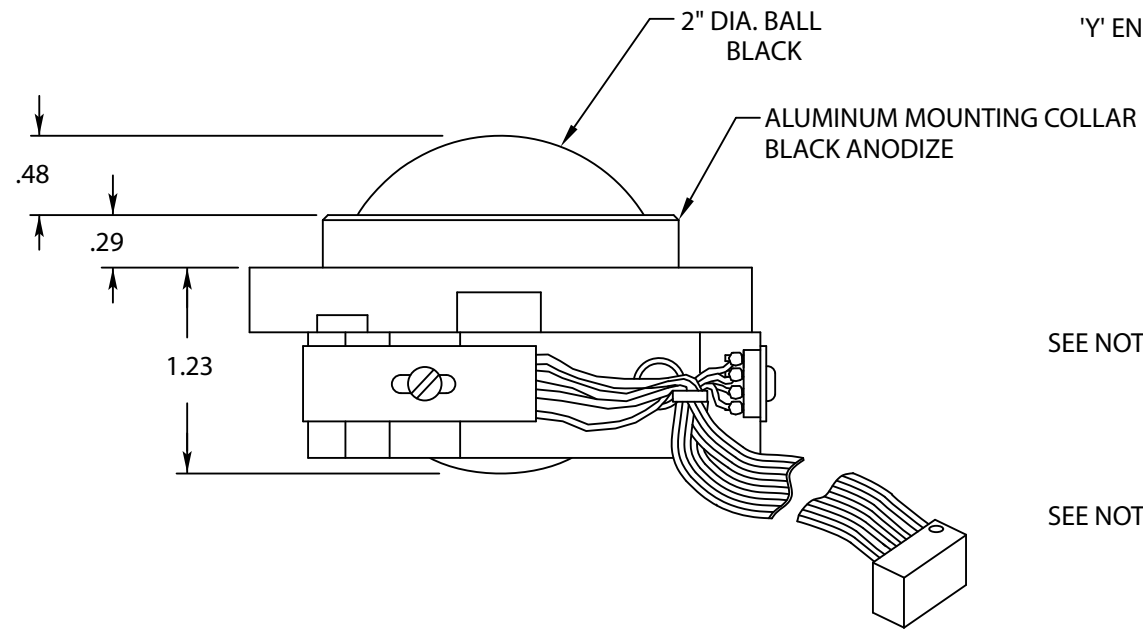


ORDERING INFORMATION:

- T 1 X X X - [] - []
- 6.0 RIBBON CABLE IS 6.0 INCHES LONG
 - 12.0 RIBBON CABLE IS 12.0 INCHES LONG
 - 18.0 RIBBON CABLE IS 18.0 INCHES LONG
- D LOW TEMPERATURE (-25°C TO +80°C)
 V STANDARD VIBRATION DAMPENING
 V1 LIGHT VIBRATION DAMPENING
 Z CONFORMAL COATING (ENCODER PCB'S)



MOUNTING DETAIL



BOTTOM VIEW

NOTE:

1. FOR BELOW PANEL MOUNTING, SECURE ASSEMBLY USING #4-40 x .38 MIN. TO .44 MAX. LONG SCREWS OR THREADED STUDS AND HEX NUTS (X4) OR THE METRIC EQUIVALENT. THIS MAY REQUIRE REMOVING THE 3 SCREWS MARKED 'A'. IF SO, CHECK IF A COPPER SHIM OR SHIMS ARE BETWEEN THE COLLAR AND HOUSING, THEY MUST BE REPLACED BEFORE REATTACHING THE HOUSING. BE CAREFUL NOT TO DAMAGE ENCODER DISCS. SCREWS MARKED 'A' ARE TO BE HAND TIGHTENED AND SECURED WITH A "LOCTITE" OR EQUIVALENT THREAD BONDING AGENT.
2. MOUSE INTERFACE CARD AND SWITCH ASSEMBLY ARE AVAILABLE SEPARATELY. CONTACT "CTI" FOR DETAILS.

10 PIN SOCKET
PINS ON .1 CENTERS
28 AWG RIBBON CABLE

PIN	FUNCTION	COLOR
1	Y _B	BROWN
2	COMMON	RED
3	+5V	ORANGE
4	Y _A	YELLOW
5	—	GREEN
6	—	BLUE
7	X _A	VIOLET
8	+5V	GRAY
9	COMMON	WHITE
10	X _B	BLACK

CUSTOMER PC BOARD HEADER

1	2
3	4
5	6
7	8
9	10

CTI ELECTRONICS CORPORATION
 WWW.CTIELECTRONICS.COM

NEMA12 (IP54) OEM
 INDUSTRIAL TRACKBALL 2.0" DIAMETER
 T1XXX MODEL

761644-1

APPROVED _____ DATE 10-08-13

REV. D
 DRAWN BY PSB