

6-32 MOUNTING INSERT (X6)  
FOR METRIC OPTION SEE TABLE

STAINLESS STEEL  
MOUNTING PLATE

.03 NEOPRENE GASKET

SILICONE KEYPAD  
(GRAY)

NEOPRENE BOOT  
(BLACK)

ABS KNOB  
(BLACK)

JOYSTICK PUSH BUTTON SWITCH  
DUPLICATES LEFT MOUSE BUTTON  
(BLACK)

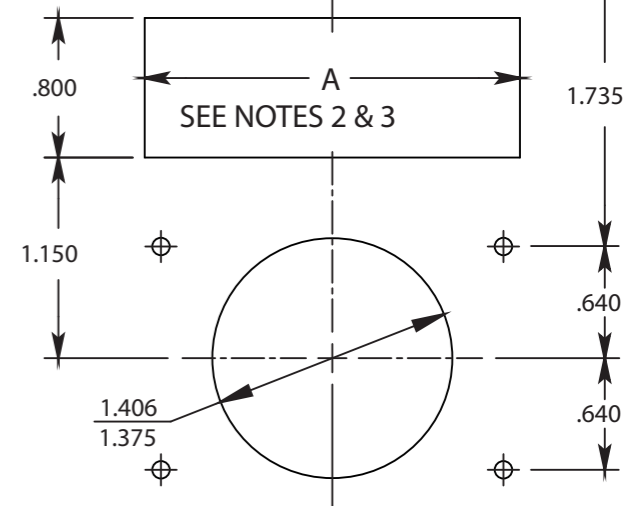
FISHPAPER INSULATOR

NYLON SCREW

TYP 2.02      1.28 MAX

CLEARANCE HOLE  
FOR 6-32 (X6)

1.962  
SYM



PANEL MOUNTING DETAIL

ORDERING INFORMATION

- P PS/2 INTERFACE (6 PIN MINI DIN CONNECTOR, 9.5 FT. DEFAULT LENGTH)
- U USB INTERFACE (9.5 FT. DEFAULT LENGTH)
- 1 RS232 REFERENCE DRAWING. B811610

9 INDICATES 1 LED, DEFAULT (3 RESERVED FOR NO LED OPTION)

Q RS232 OPTIONAL CABLE WITH "AT" CONNECTOR  
USE ONLY IF POWER OPTION IS "0" (CUSTOM CABLE LEGACY ONLY)

H 2    9    - N    -    [ ]

FIRMWARE OPTIONS

- 2B 2 BUTTON PS/2 MOUSE (LEGACY)
- 3B OR BLANK 3 BUTTON PS/2 MOUSE (DEFAULT)
- MSOF MICROSOFT SERIAL MOUSE (RS232)

— KNOB OPTION (REF DWG. B761252)

JOYSTICK OPTIONS

- D LOW TEMPERATURE RANGE (-40°C TO +80°C)
- G MAXIMUM COMPRESSION SPRING
- N NEUTRAL SWITCH (AVAILABLE ON USB FLIGHTSTICK OR "P" FILE MODELS ONLY)
- RF CONDUCTIVE BOOT AND FERRITE BEAD
- T FLIGHTSTICK PROGRAM USB ONLY (NON-MOUSE)
- Z CONFORMAL COATING ON PCB

- 0 STANDARD FOR #6-32 MOUNTING
- 1 OPTIONAL RS232 POWER ADAPTOR CABLE
- 3 OPTIONAL METRIC M3 MOUNTING
- 4 METRIC M4 MOUNTING (LEGACY)

NOTES:

- 1 CTI REFERENCE: H2XX3A, HOUSING USES ELASTOMER KEYPAD
- 2 A = 2.100 DIMENSION FOR ELASTOMER SILICONE SWITCH AS SHOWN
- 3 OPTIONAL: SPECIAL ORDER MECHANICAL SWITCH A = 2.150 DIMENSION  
CTI REFERENCE: H2XX3, HOUSING
- 4 DEBURR SHARP EDGES

**CTI ELECTRONICS CORPORATION**  
WWW.CTIELECTRONICS.COM

NEMA 4X (IP66) H20X9-NX-SERIES  
PANEL MOUNT INDUSTRIAL MOUSE  
OR USB FLIGHTSTICK

**761669**

SHEET 1 OF 1

REV. J

APPROVED

DATE 12-16-10

DRAWN BY  
PSB