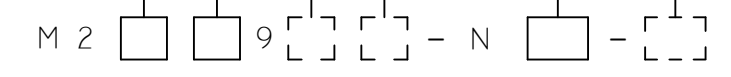


- 0 STANDARD DEFAULT
- I OPTIONAL RS232 POWER ADAPTOR CABLE, REQUIRED FOR "MSOF" OPTION (LEGACY REF. 811610)
- P PS/2 INTERFACE (6 PIN MINI DIN CONNECTOR, 9.5 FT. DEFAULT CABLE LENGTH)
- U USB INTERFACE (9.5 FT. DEFAULT CABLE LENGTH)
- I RS232 (REQUIRES POWER ADAPTOR OPTION, 6.0 FT. DEFAULT CABLE LENGTH, OR 'P' FILE)
- DZ LOW TEMP AND CONFORMAL COATING
- RF OPTIONAL CONDUCTIVE BOOT AND FERRITE BEAD
- G MAXIMUM COMPRESSION SPRING OPTION.
- Q RS232 OPTIONAL CABLE (LEGACY REF. 811610)

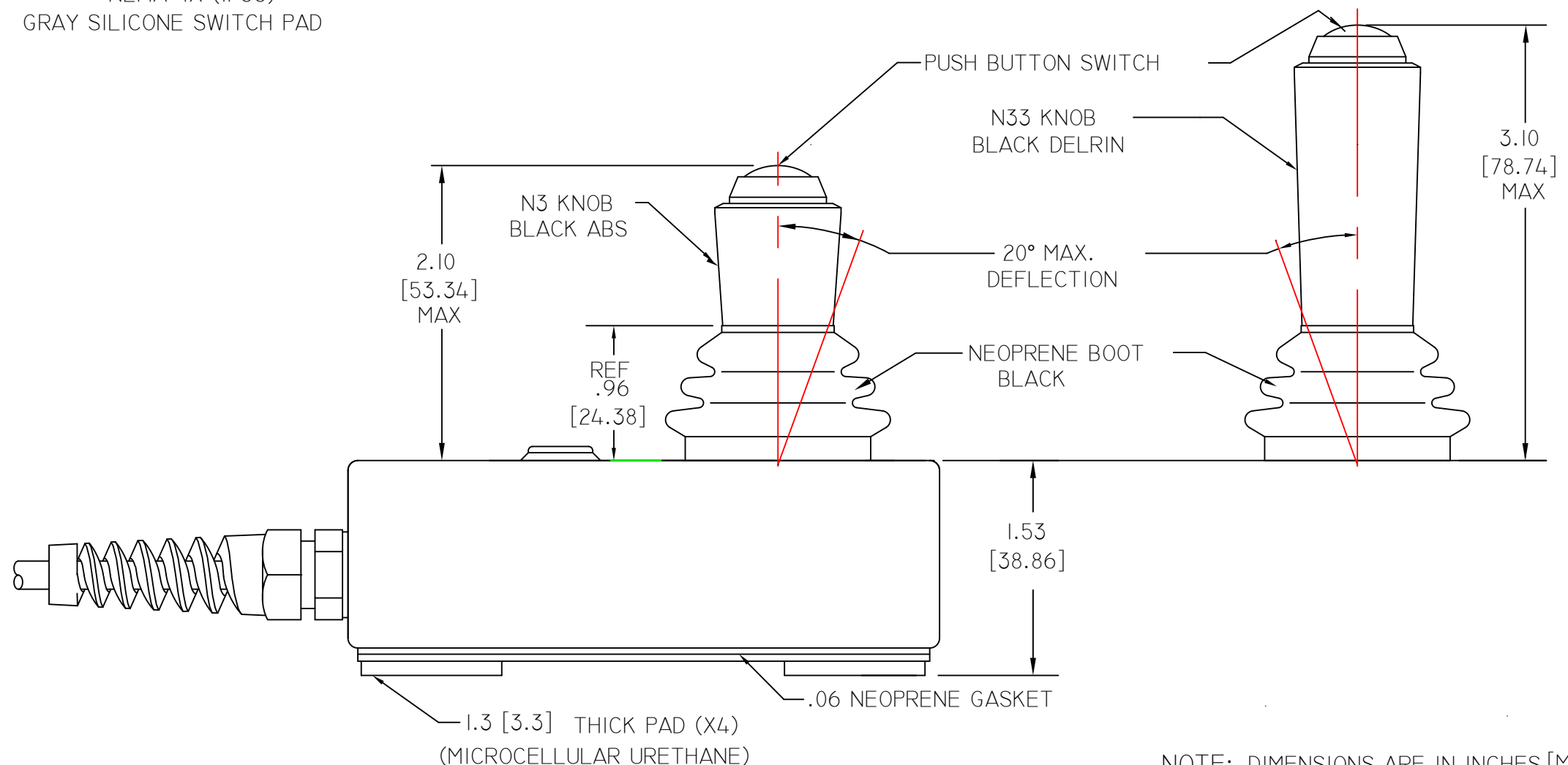
[W1] THRU [W5] INDICATES OPTIONAL BULKHEAD CONNECTOR, 1 THRU 5 FOOT CABLE LENGTH IN 1 FT. INCREMENTS. (MATING CABLE INCLUDED)

- 3 N3 BLACK ABS KNOB
- 33 N33 BLACK DELRIN KNOB

2B, 3B OR BLANK PS/2, 2B OR 3B MOUSE EMULATION (LEGACY)
MSOF MICROSOFT SERIAL MOUSE (RS232 LEGACY)



ORDERING INFORMATION:



SPECIFICATIONS

TEMPERATURE: -40°C TO +80°C
 SEALING: NEMA 4 (IP66)
 WEIGHT: M20U9-N3 = 1.LB 1.5oz [0.50 KILOGRAMS]
 STANDARD: CE, RoHS, REACH, FCC CLASS B

CTI ELECTRONICS CORPORATION WWW.CTIELECTRONICS.COM		
NEMA 4 (IP66) HAND HELD INDUSTRIAL MOUSE™ M2XX9-N3 SERIES		
761672		DATE 04-12-17
APPROVED	SHEET 1 OF 1	DRAWN BY PSB
COPYRIGHT 2017 CTI ELECTRONICS CORP. SPECIFICATIONS SUBJECT TO CHANGE WITHOUT NOTICE		

NOTE: DIMENSIONS ARE IN INCHES [MILLIMETERS]