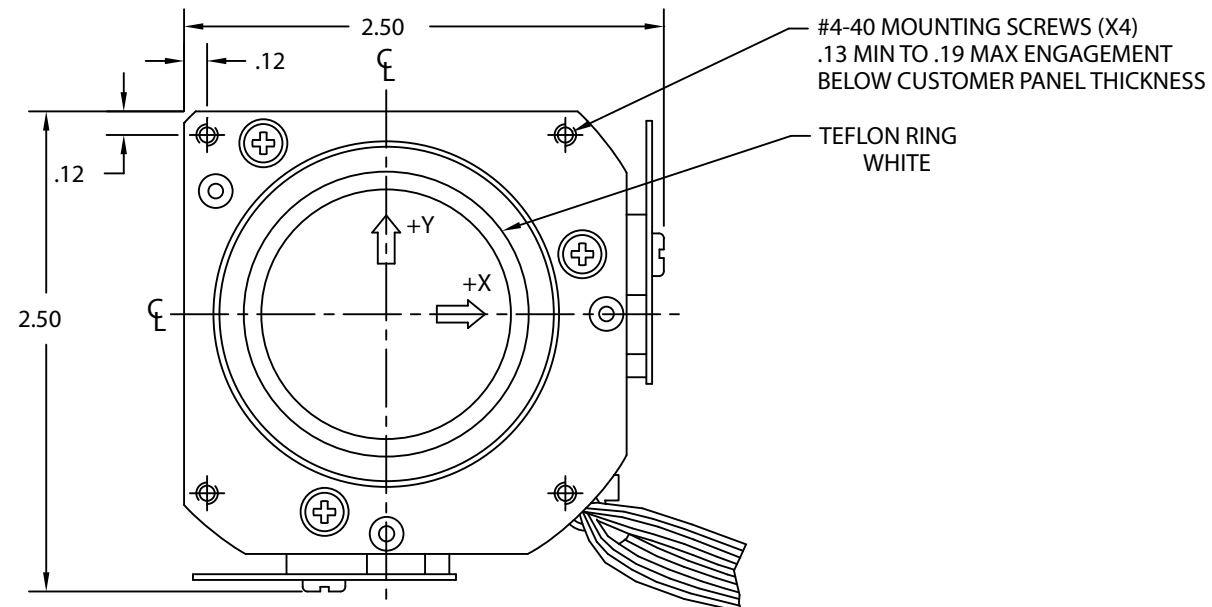
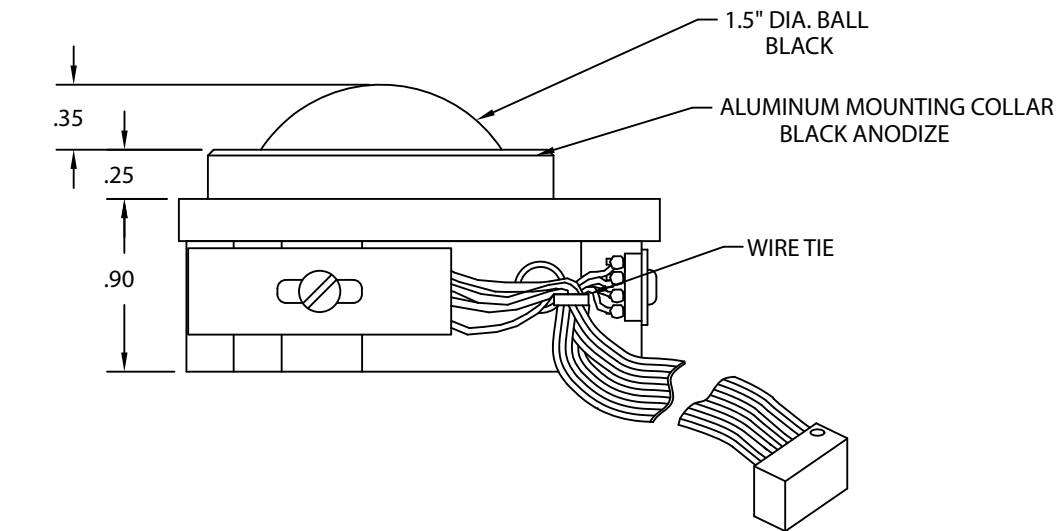


CAUTION



#4-40 MOUNTING SCREWS (X4)
 .13 MIN TO .19 MAX ENGAGEMENT
 BELOW CUSTOMER PANEL THICKNESS

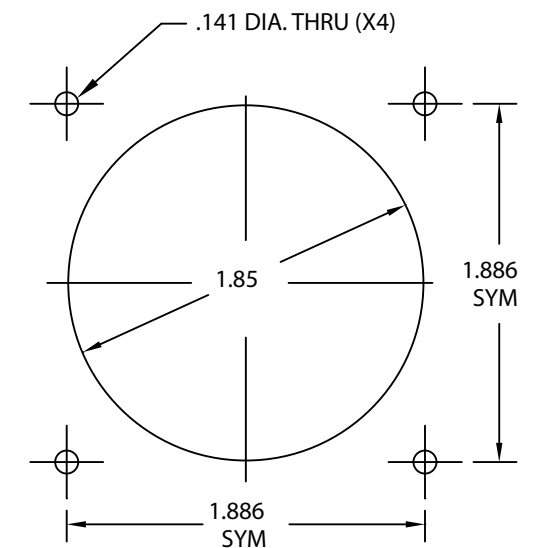
TEFLON RING
 WHITE



1.5" DIA. BALL
 BLACK

ALUMINUM MOUNTING COLLAR
 BLACK ANODIZE

WIRE TIE



MOUNTING DETAIL

ORDERING INFORMATION:

- T 7 X X X - [] - []
- 6.0 RIBBON CABLE IS 6.0 INCHES LONG
 - 12.0 RIBBON CABLE IS 12.0 INCHES LONG
 - 18.0 RIBBON CABLE IS 18.0 INCHES LONG
 - D LOW TEMPERATURE BEARINGS (-25°C TO +80°C)
 - V STANDARD VIBRATION DAMPENING
 - V1 LIGHT VIBRATION DAMPENING
 - Z CONFORMAL COATING (ENCODER PCB'S)

NOTE:

1. MOUSE INTERFACE CARD AND SWITCH ASSEMBLY ARE AVAILABLE SEPARATELY. CONTACT "CTI" FOR DETAILS.

10 PIN SOCKET
 PINS ON .1 CENTERS

28 AWG RIBBON CABLE

1	2
3	4
5	6
7	8
9	10

CUSTOMER PC BOARD
 HEADER

PIN	FUNCTION	COLOR
1	Y _B	BROWN
2	COMMON	RED
3	+5V	ORANGE
4	Y _A	YELLOW
5	—	GREEN
6	—	BLUE
7	X _A	VIOLET
8	+5V	GRAY
9	COMMON	WHITE
10	X _B	BLACK

X_A

X_B

OUTPUT WAVEFORMS
 "POSITIVE DIRECTION SHOWN"

CTI ELECTRONICS CORPORATION 110 OLD SOUTH AVE, STRATFORD, CT 06615 WWW.CTIELECTRONICS.COM		
NEMA12 (IP54) OEM INDUSTRIAL TRACKBALL 1.5" DIAMETER T7XXX SERIES		
761698	SHEET 1 OF 1	REV. E
APPROVED	DATE 10-10-13	DRAWN BY PSB