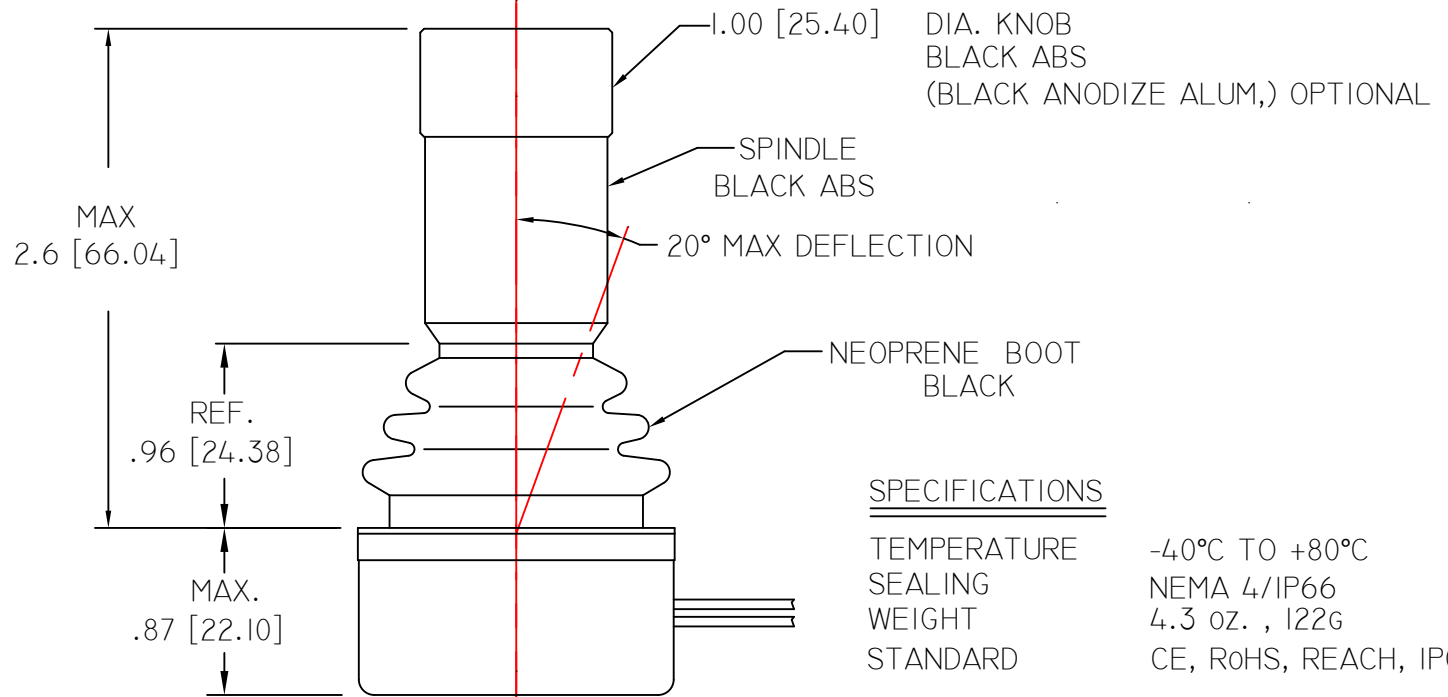
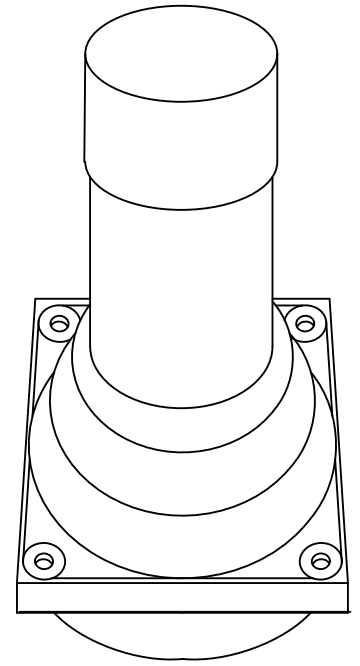


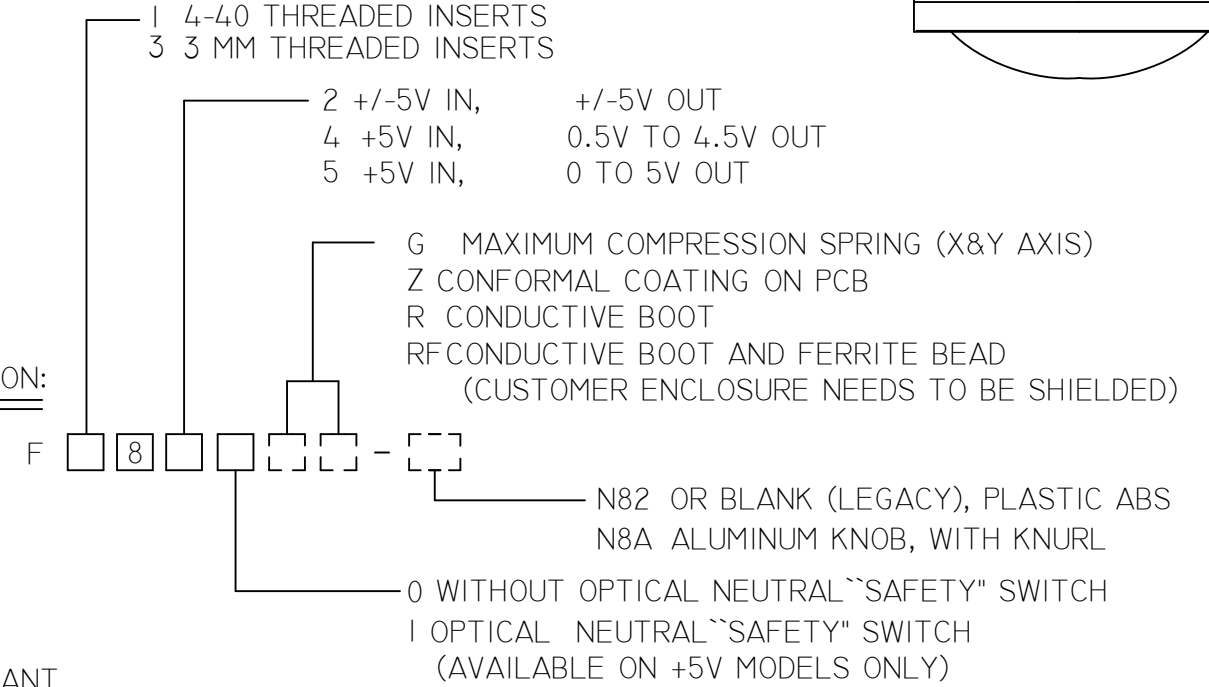
MODEL		
F1820	F1840	F1850
+5V	+5V	+5V
+5V.	COMMON	COMMON
X OUT	X OUT	X OUT
COMMON	V REF	V REF
Y OUT	Y OUT	Y OUT
N/C	OPTIONAL NEUTRAL SWITCH	
Z OUT	Z OUT	Z OUT



SPECIFICATIONS

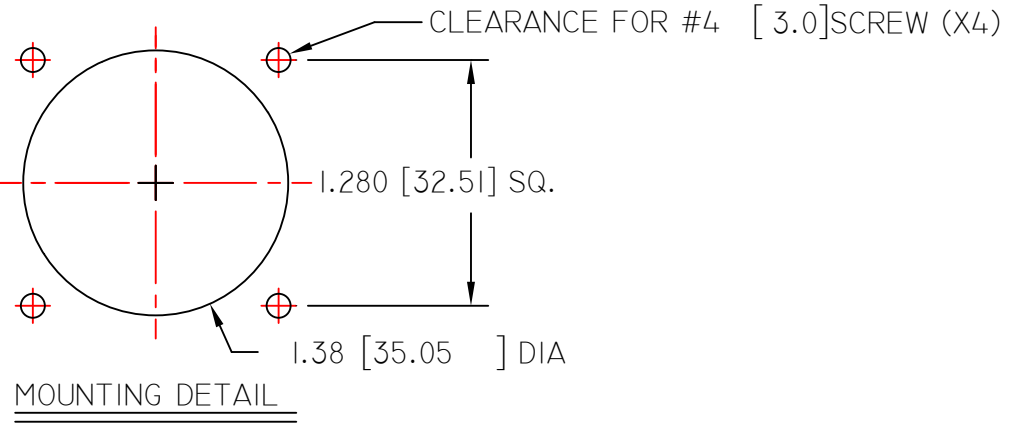
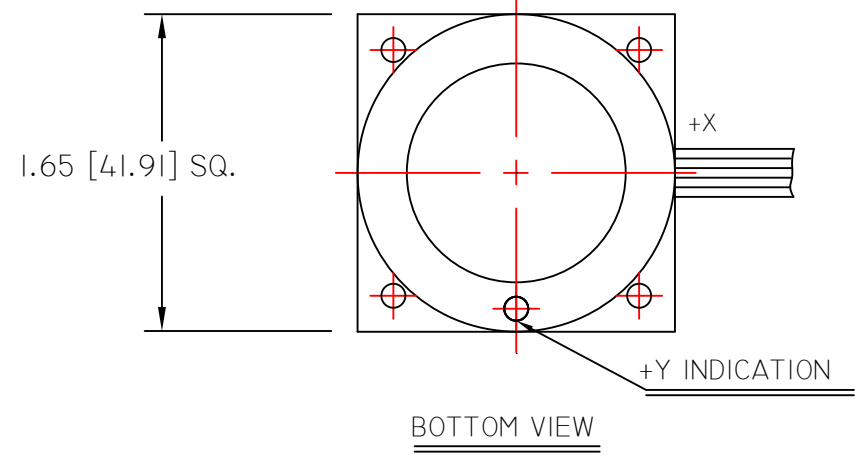
TEMPERATURE -40°C TO +80°C
 SEALING NEMA 4/IP66
 WEIGHT 4.3 oz. , 122g
 STANDARD CE, RoHS, REACH, IPC 610 CLASS II COMPLIANT

ORDERING INFORMATION:



NOTES:

REF DWG 761718 FOR ELECTRICAL DETAILS
 DIMENSIONS ARE IN INCHES [MILLIMETERS]



CTI <u>ELECTRONICS CORPORATION</u> WWW.CTIELECTRONICS.COM	
NEMA I2 (IP54) INDUSTRIAL JOYSTICK F1800-N82 3 AXES SERIES	
761701	DATE 07-14-16 DRAWN BY PSB
APPROVED	SHEET 1 OF 1
COPYRIGHT 2016 CTI ELECTRONICS CORP. SPECIFICATIONS SUBJECT TO CHANGE WITHOUT NOTICE	