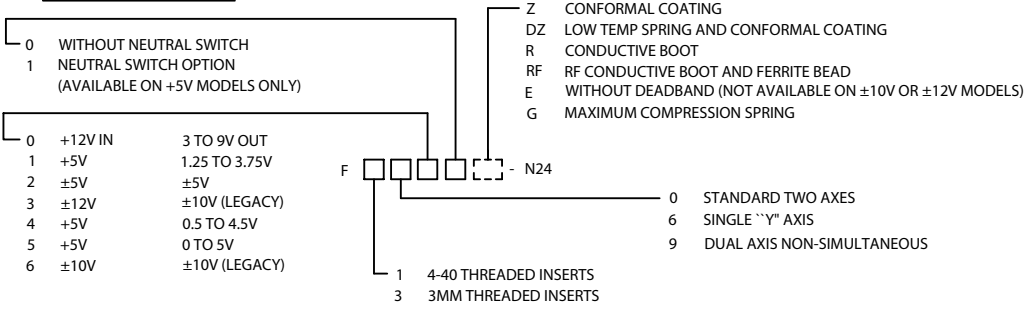


OUTPUT HEADER DETAILS
 SOLDER TO HEADER OR USE "AMP"
 6 POSITION CONNECTOR PART No. 1-87499-1 AND
 SIX PINS PART No. 102917-2, OR EQUIVALENT.

F1000	F1020	F1030	F1010 F1040 F1050	F1060
OPTIONAL NEUTRAL SWITCH				
Y OUT	Y OUT	Y OUT	Y OUT	Y OUT
V REF.	COMMON	COMMON	V REF	COMMON
X OUT	X OUT	X OUT	X OUT	X OUT
COMMON	-5V	-12V	COMMON	-10V
+12V	+5V	+12V	+5V	+10V

ORDERING INFORMATION



NOTES:

DIMENSIONS ARE IN INCHES
 REF DWG 761718 FOR ELECTRICAL DETAILS

CTI ELECTRONICS CORPORATION WWW.CTIELECTRONICS.COM	
NEMA 4 (IP66) INDUSTRIAL JOYSTICK (ANALOG) F1000-N24 SERIES	
761702	DATE 06-15-16 DRAWN BY PSB
APPROVED	SHEET 1 OF 1
COPYRIGHT 2016 CTI ELECTRONICS CORP. SPECIFICATIONS SUBJECT TO CHANGE WITHOUT NOTICE	