

NOTES
 DIMENSIONS ARE IN MILLIMETERS
 ALL CONNECTOR HEADERS ARE .635 SQUARE
 WITH 2.54 SPACING

SV3 PIN OUTS FOR PS/2 & USB	
SV3.1	LEFT SWITCH
SV3.2	MIDDLE SWITCH
SV3.3	RIGHT SWITCH
SV3.4	SWITCH COMMON
SV3.5	LED CATHODE (-)
SV3.6	LED ANODE (+)

USB ADDITIONAL SWITCH INPUTS	
SV5.1	SWITCH INPUT
SV5.2	SWITCH INPUT
SV5.3	SWITCH INPUT
SV5.4	SWITCH INPUT
SV5.6	SWITCH COMMON

- P PS/2 INTERFACE
- U USB INTERFACE
- 1 RS232 INTERFACE (REQUIRES 'P' FILE)
- 2 RS422/RS485 INTERFACE (REQUIRES 'P' FILE)

- DZ LOW TEMP AND CONFORMAL COATING
- R OPTIONAL CONDUCTIVE BOOT
- RF OPTIONAL CONDUCTIVE BOOT AND FERRITE BEAD
- G MAXIMUM COMPRESSION SPRING OPTION.

- BLANK USB MOUSE EMULATION
- T USB HID COMPLIANT GAME CONTROLLER DEVICE

- 3 N3 BLACK ABS KNOB
- 33 N33 BLACK DELRIN KNOB

OPTIONAL CABLE LENGTH
 DIMENSION IN 0.5 FOOT INCREMENTS
 (MINIMUM LENGTH IS 1.0 FT,
 MAXIMUM LENGTH IS 9.5 FT.)
 BLANK [] INDICATES NO CABLE

SPECIFICATIONS

TEMPERATURE:	-40°C TO +80°C
SEALING:	NEMA 4 (IP66) ABOVE PANEL
WEIGHT:	110GMS TYPICAL N3 MODEL WITHOUT CABLE
STANDARD:	CE, RoHS, REACH, FCC CLASS B

ORDERING INFORMATION:
 F 3 0 [] 0 [] [] - N [] - []

CTI ELECTRONICS CORPORATION
WWW.CTIELECTRONICS.COM

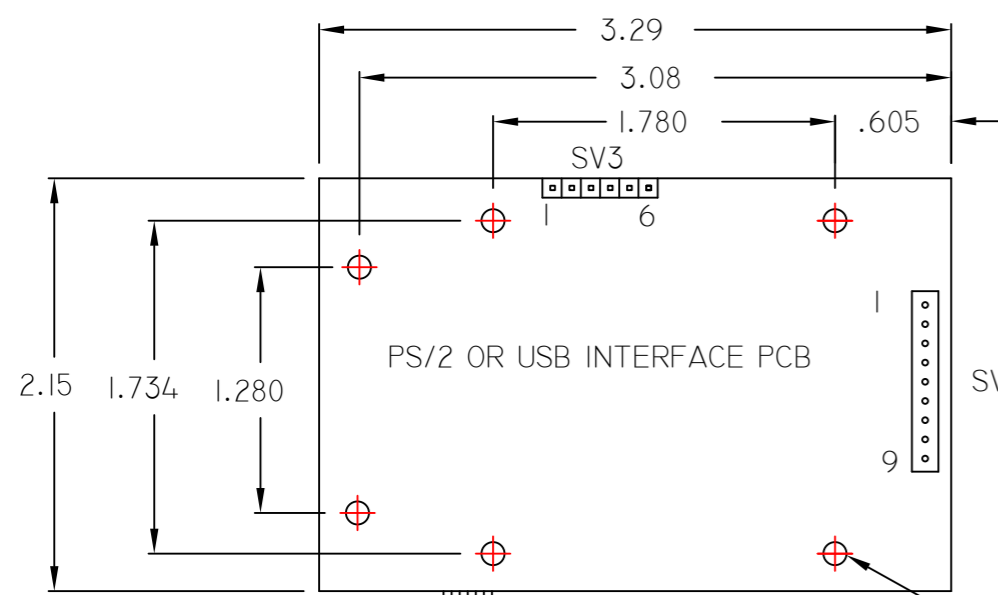
NEMA 4 (IP66) OEM INDUSTRIAL MOUSE™,
 OR USB FLIGHTSTICK F30U0-NX SERIES
 (METRIC STANDARD)

761707-1

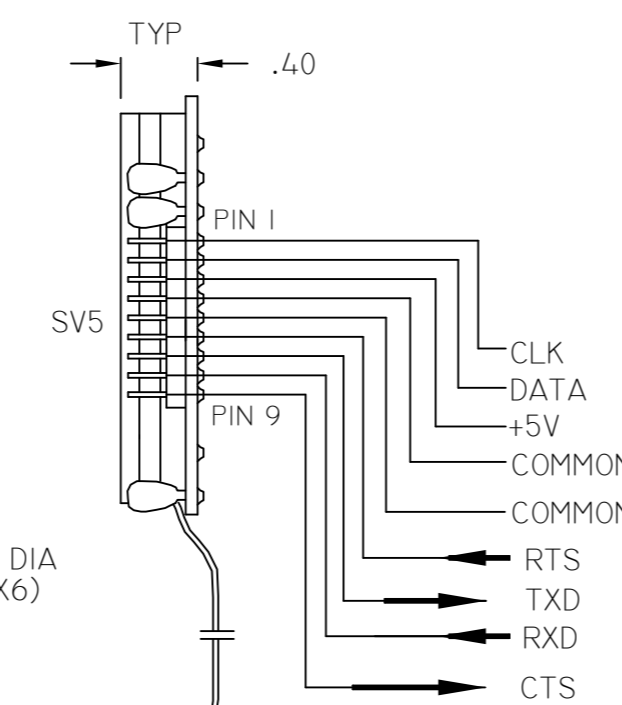
DATE 06-29-17
 SHEET 1 OF 1

APPROVED _____ DRAWN BY PSB

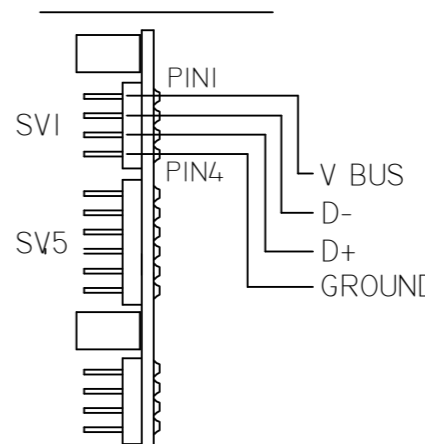
COPYRIGHT 2017 CTI ELECTRONICS CORP
 SPECIFICATIONS SUBJECT TO CHANGE WITHOUT NOTICE



PS/2 SIDE VIEW



USB SIDE VIEW



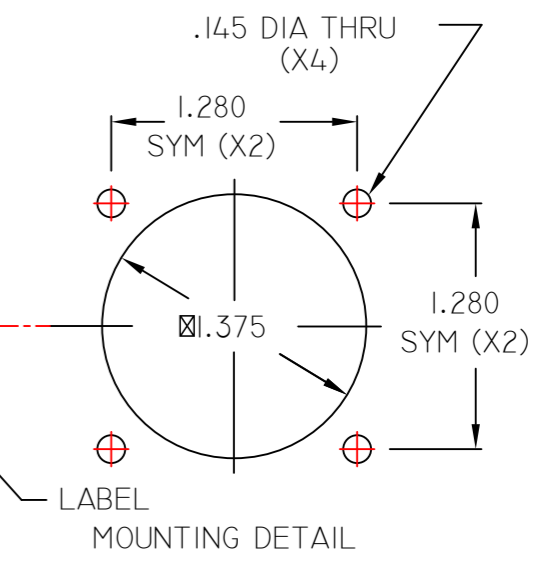
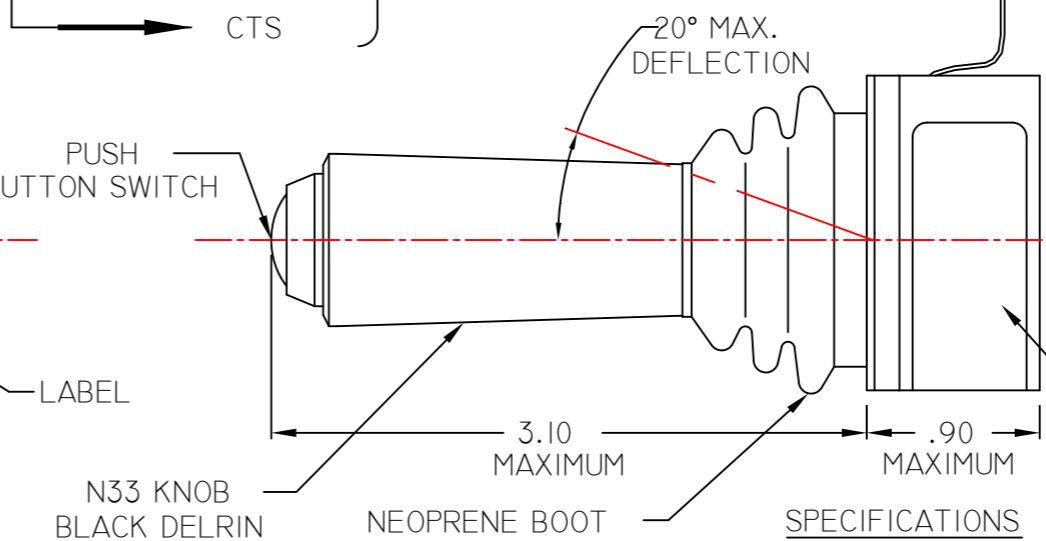
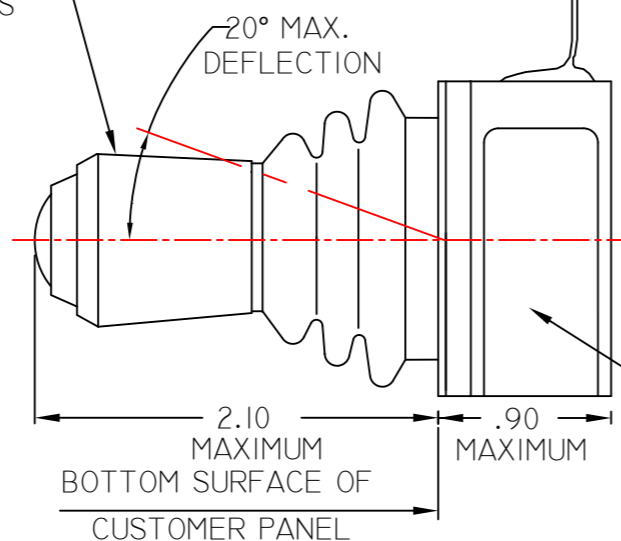
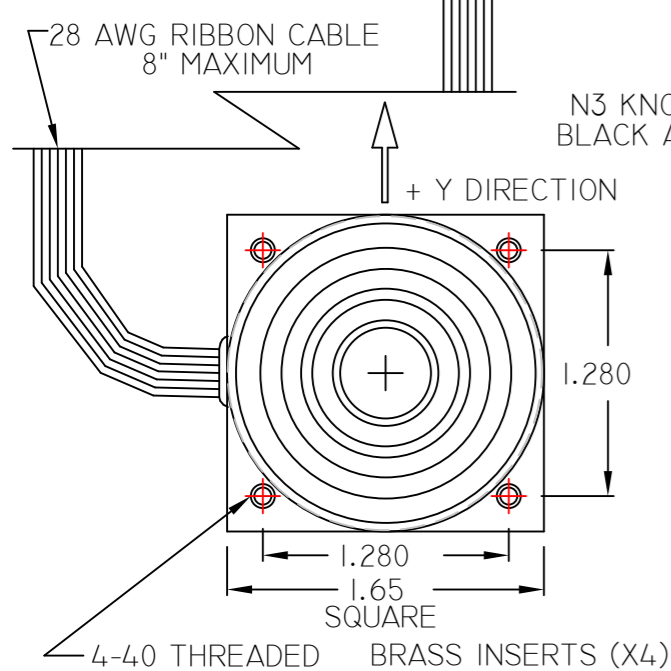
NOTES
 DIMENSION ARE IN INCHES
 ALL CONNECTOR HEADERS ARE .025 SQUARE
 WITH 0.1 SPACING

SV3 PIN OUTS FOR PS/2 & USB

SV3.1	LEFT SWITCH
SV3.2	MIDDLE SWITCH
SV3.3	RIGHT SWITCH
SV3.4	SWITCH COMMON
SV3.5	LED CATHODE (-)
SV3.6	LED ANODE (+)

USB ADDITIONAL SWITCH INPUTS

SV5.1	SWITCH INPUT
SV5.2	SWITCH INPUT
SV5.3	SWITCH INPUT
SV5.4	SWITCH INPUT
SV5.6	SWITCH COMMON



SPECIFICATIONS

TEMPERATURE:	-40°C TO +80°C
SEALING:	NEMA 4 (IP66) ABOVE PANEL
WEIGHT:	3.9 oz TYPICAL N3 MODEL WITHOUT CABLE
STANDARD:	CE, RoHS, REACH, FCC CLASS B

P PS/2 INTERFACE
 U USB INTERFACE
 1 RS232 INTERFACE (REQUIRES 'P' FILE)
 2 RS422 RS485 INTERFACE (REQUIRES 'P' FILE)
 DZ LOW TEMP AND CONFORMAL COATING
 R OPTIONAL CONDUCTIVE BOOT
 RF OPTIONAL CONDUCTIVE BOOT AND FERRITE BEAD
 G MAXIMUM COMPRESSION SPRING OPTION.
 BLANK USB MOUSE EMULATION
 T USB HID COMPLIANT GAME CONTROLLER DEVICE
 3 N3 BLACK ABS KNOB
 33 N33 BLACK DELRIN KNOB
 OPTIONAL CABLE LENGTH
 DIMENSION IN 0.5 FOOT INCREMENTS
 (MINIMUM LENGTH IS 1.0 FT,
 MAXIMUM LENGTH IS 9.5 FT.)
 BLANK [] INDICATES NO CABLE

ORDERING INFORMATION:
 F I 0 [] 0 [] [] - N [] - []

CTI ELECTRONICS CORPORATION
WWW.CTIELECTRONICS.COM

NEMA 4 (IP66) OEM INDUSTRIAL MOUSE™,
 OR USB FLIGHTSTICK F10U0-NX SERIES
 (US STANDARD)

761707-2

DATE 06-29-17
 SHEET 1 OF 1

APPROVED _____ DRAWN BY PSB

COPYRIGHT 2017 CTI ELECTRONICS CORP
 SPECIFICATIONS SUBJECT TO CHANGE WITHOUT NOTICE