

NOTES

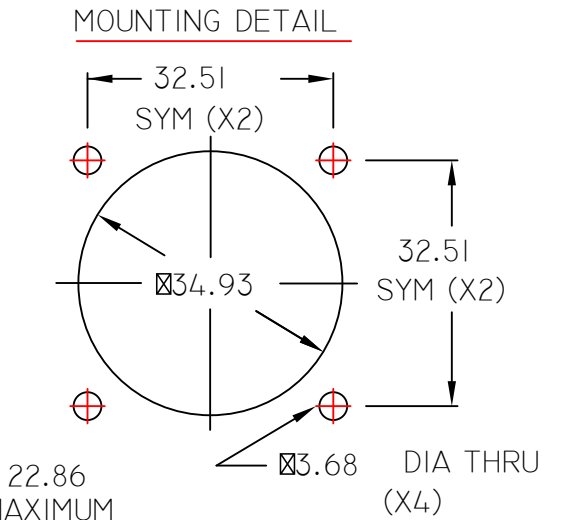
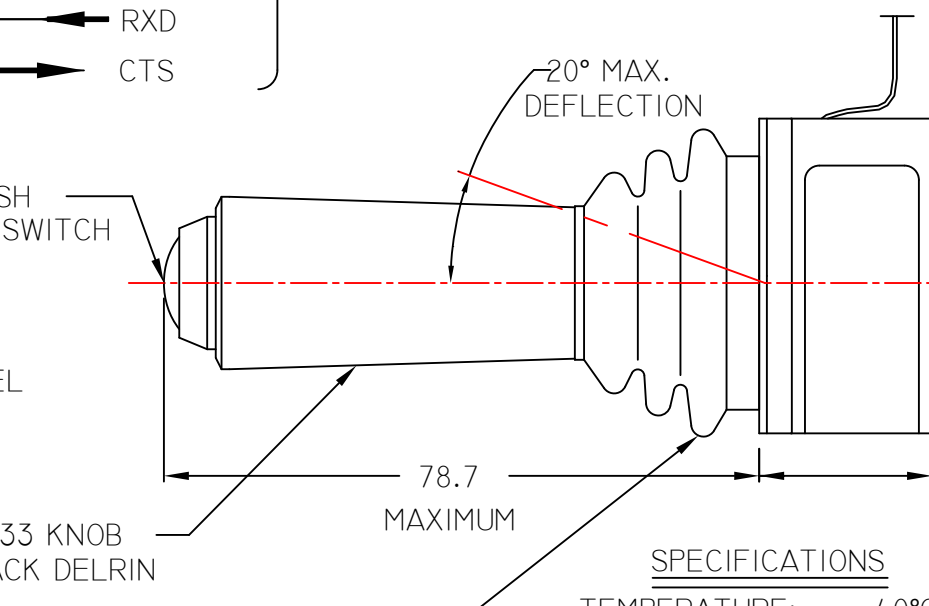
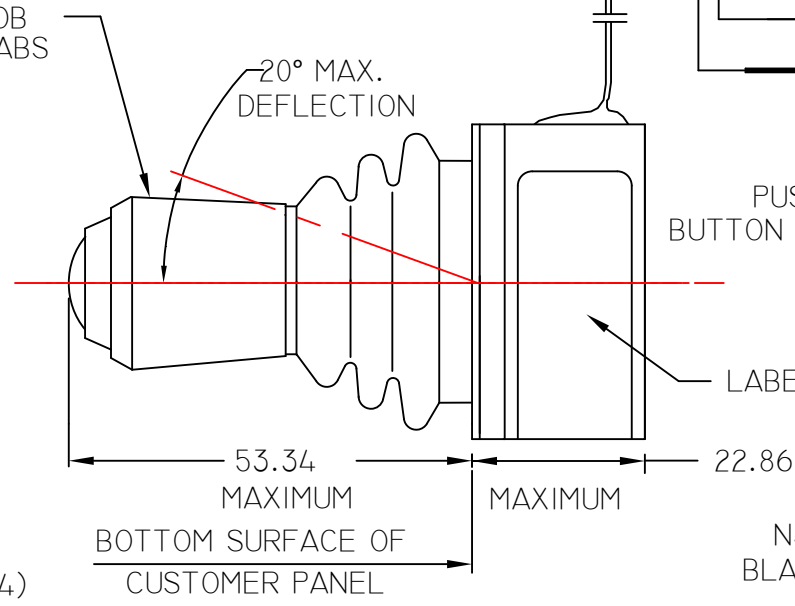
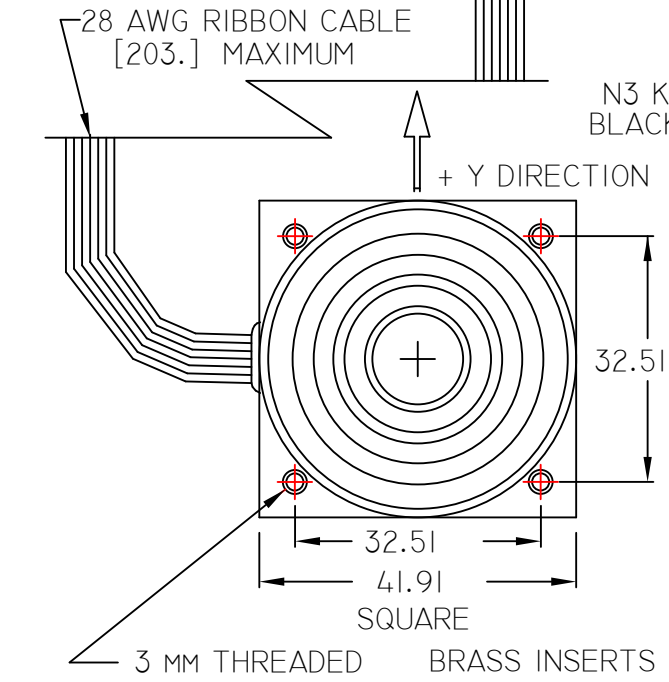
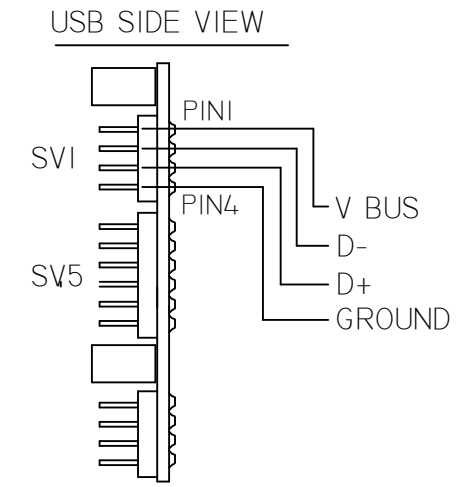
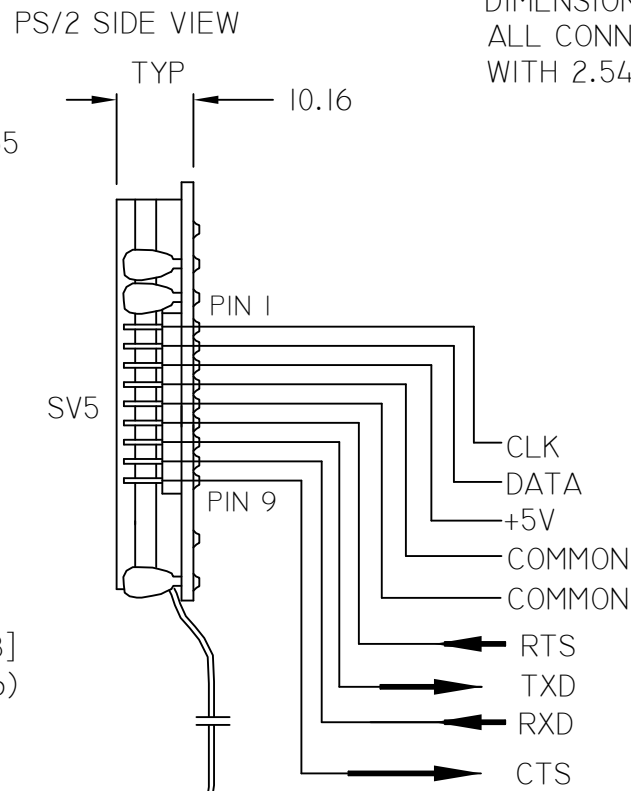
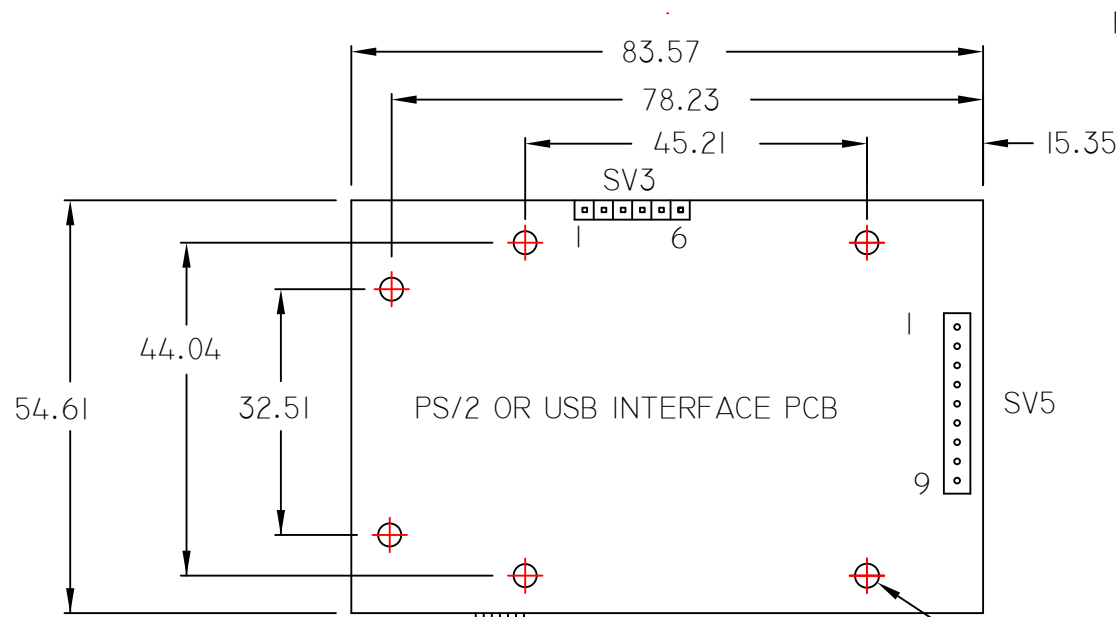
DIMENSIONS ARE IN MILLIMETERS
ALL CONNECTOR HEADERS ARE .635 SQUARE
WITH 2.54 SPACING

SV3 PIN OUTS FOR PS/2 & USB

| | |
|-------|-----------------|
| SV3.1 | LEFT SWITCH |
| SV3.2 | MIDDLE SWITCH |
| SV3.3 | RIGHT SWITCH |
| SV3.4 | SWITCH COMMON |
| SV3.5 | LED CATHODE (-) |
| SV3.6 | LED ANODE (+) |

USB ADDITIONAL SWITCH INPUTS

| | |
|-------|---------------|
| SV5.1 | SWITCH INPUT |
| SV5.2 | SWITCH INPUT |
| SV5.3 | SWITCH INPUT |
| SV5.4 | SWITCH INPUT |
| SV5.6 | SWITCH COMMON |



SPECIFICATIONS

TEMPERATURE: -40°C TO +80°C
SEALING: NEMA 4 (IP66) ABOVE PANEL
WEIGHT: 110GMS TYPICAL N3 MODEL WITHOUT CABLE
STANDARD: CE, RoHS, REACH, FCC CLASS B

- P PS/2 INTERFACE
- U USB INTERFACE
- 1 RS232 INTERFACE (REQUIRES 'P' FILE)
- 2 RS422/RS485 INTERFACE (REQUIRES 'P' FILE)

- DZ LOW TEMP AND CONFORMAL COATING
- R OPTIONAL CONDUCTIVE BOOT
- RF OPTIONAL CONDUCTIVE BOOT AND FERRITE BEAD
- G MAXIMUM COMPRESSION SPRING OPTION.

- BLANK USB MOUSE EMULATION
- T USB HID COMPLIANT GAME CONTROLLER DEVICE

- 3 N3 BLACK ABS KNOB
- 33 N33 BLACK DELRIN KNOB

OPTIONAL CABLE LENGTH
DIMENSION IN 0.5 FOOT INCREMENTS
(MINIMUM LENGTH IS 1.0 FT,
MAXIMUM LENGTH IS 9.5 FT.)
BLANK [] INDICATES NO CABLE



ORDERING INFORMATION:

CTI ELECTRONICS CORPORATION
WWW.CTIELECTRONICS.COM

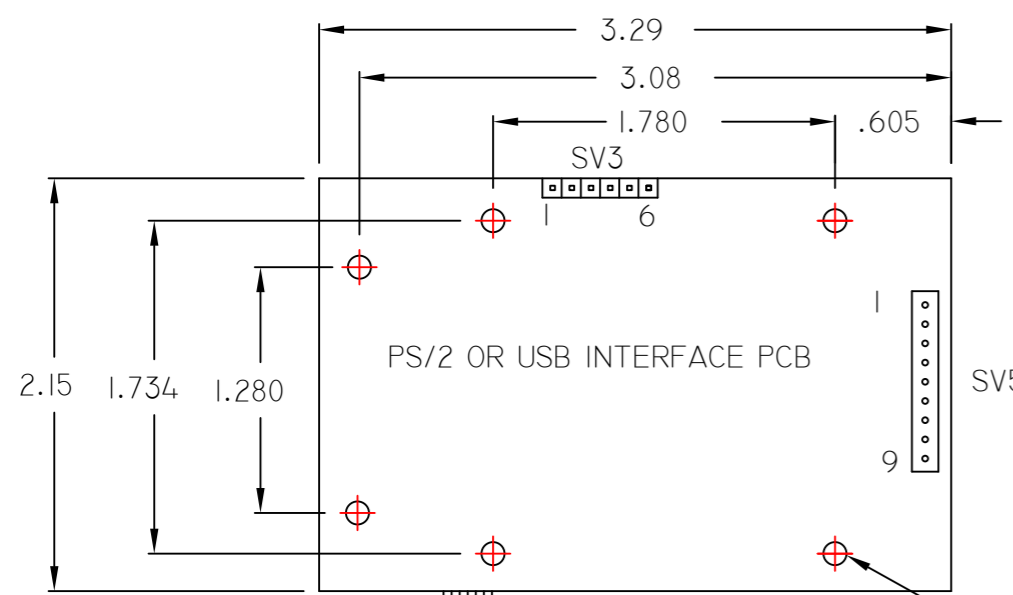
NEMA 4 (IP66) OEM INDUSTRIAL MOUSE™,
OR USB FLIGHTSTICK F30U0-NX SERIES
(METRIC STANDARD)

761707-1

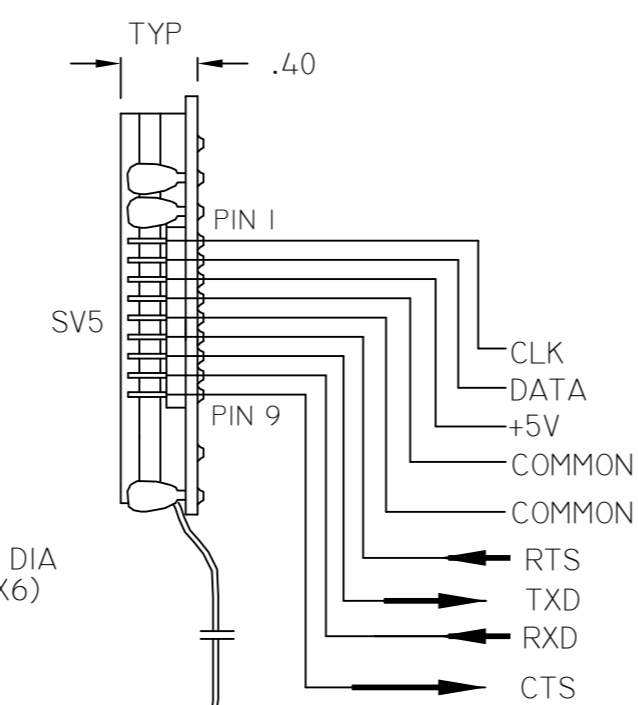
DATE 06-29-17
SHEET 1 OF 1

APPROVED
DRAWN BY PSB

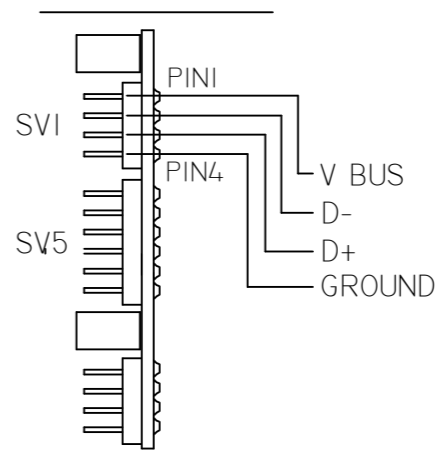
COPYRIGHT 2017 CTI ELECTRONICS CORP
SPECIFICATIONS SUBJECT TO CHANGE WITHOUT NOTICE



PS/2 SIDE VIEW



USB SIDE VIEW



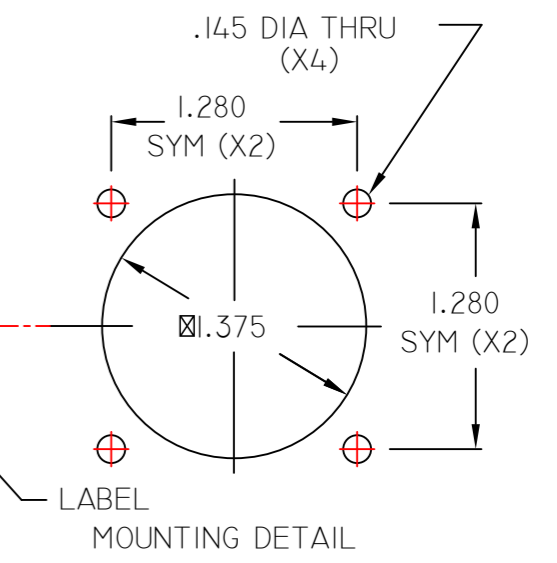
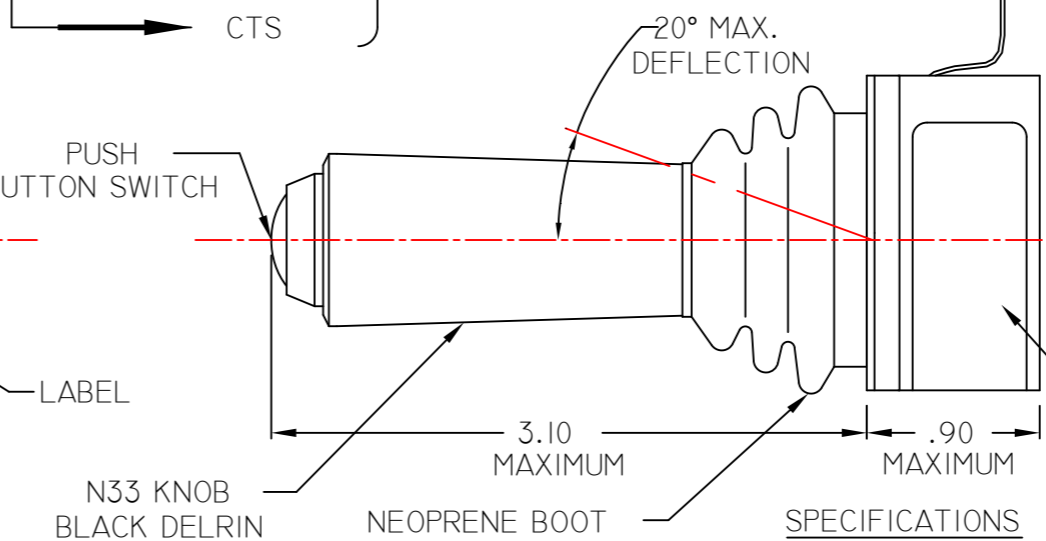
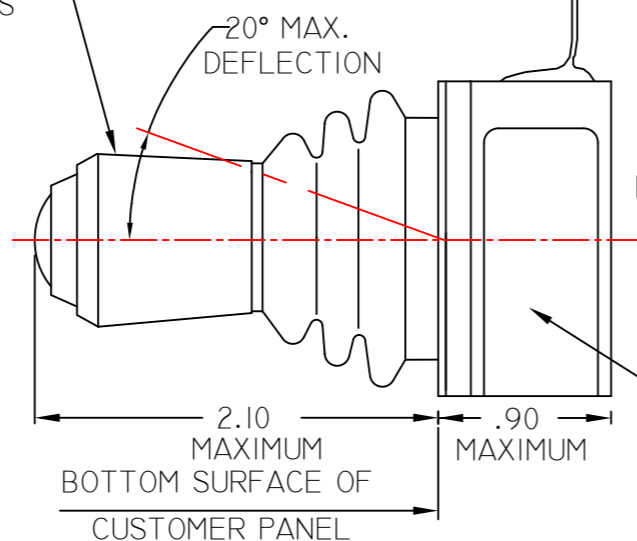
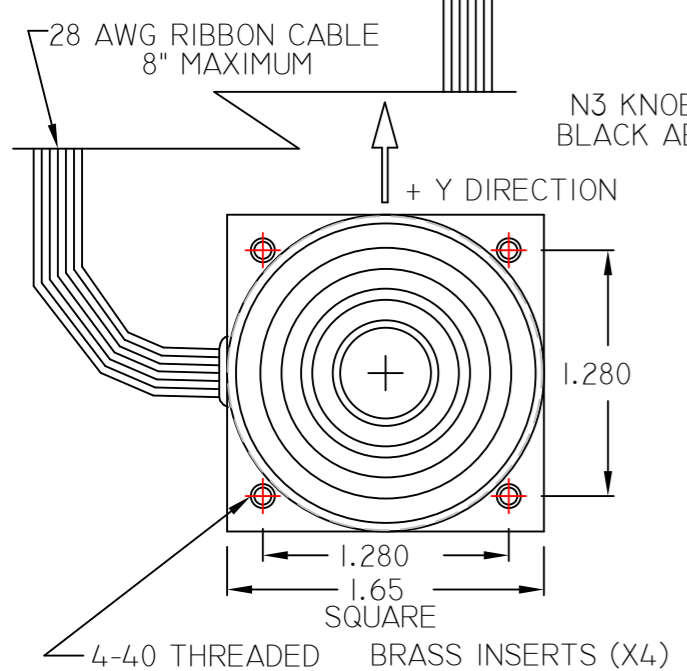
NOTES
 DIMENSION ARE IN INCHES
 ALL CONNECTOR HEADERS ARE .025 SQUARE
 WITH 0.1 SPACING

SV3 PIN OUTS FOR PS/2 & USB

| | |
|-------|-----------------|
| SV3.1 | LEFT SWITCH |
| SV3.2 | MIDDLE SWITCH |
| SV3.3 | RIGHT SWITCH |
| SV3.4 | SWITCH COMMON |
| SV3.5 | LED CATHODE (-) |
| SV3.6 | LED ANODE (+) |

USB ADDITIONAL SWITCH INPUTS

| | |
|-------|---------------|
| SV5.1 | SWITCH INPUT |
| SV5.2 | SWITCH INPUT |
| SV5.3 | SWITCH INPUT |
| SV5.4 | SWITCH INPUT |
| SV5.6 | SWITCH COMMON |



SPECIFICATIONS

| | |
|--------------|---------------------------------------|
| TEMPERATURE: | -40°C TO +80°C |
| SEALING: | NEMA 4 (IP66) ABOVE PANEL |
| WEIGHT: | 3.9 oz TYPICAL N3 MODEL WITHOUT CABLE |
| STANDARD: | CE, RoHS, REACH, FCC CLASS B |

P PS/2 INTERFACE
 U USB INTERFACE
 1 RS232 INTERFACE (REQUIRES 'P' FILE)
 2 RS422 RS485 INTERFACE (REQUIRES 'P' FILE)

BLANK USB MOUSE EMULATION
 T USB HID COMPLIANT GAME CONTROLLER DEVICE

DZ LOW TEMP AND CONFORMAL COATING
 R OPTIONAL CONDUCTIVE BOOT
 RF OPTIONAL CONDUCTIVE BOOT AND FERRITE BEAD
 G MAXIMUM COMPRESSION SPRING OPTION.

OPTIONAL CABLE LENGTH
 DIMENSION IN 0.5 FOOT INCREMENTS
 (MINIMUM LENGTH IS 1.0 FT,
 MAXIMUM LENGTH IS 9.5 FT.)
 BLANK [] INDICATES NO CABLE

3 N3 BLACK ABS KNOB
 33 N33 BLACK DELRIN KNOB

ORDERING INFORMATION:
 F I 0 [] 0 [] [] - N [] - []

CTI ELECTRONICS CORPORATION
 WWW.CTIELECTRONICS.COM

NEMA 4 (IP66) OEM INDUSTRIAL MOUSE™,
 OR USB FLIGHTSTICK F10U0-NX SERIES
 (US STANDARD)

761707-2

DATE 06-29-17
 SHEET 1 OF 1

APPROVED

DRAWN BY PSB

COPYRIGHT 2017 CTI ELECTRONICS CORP
 SPECIFICATIONS SUBJECT TO CHANGE WITHOUT NOTICE