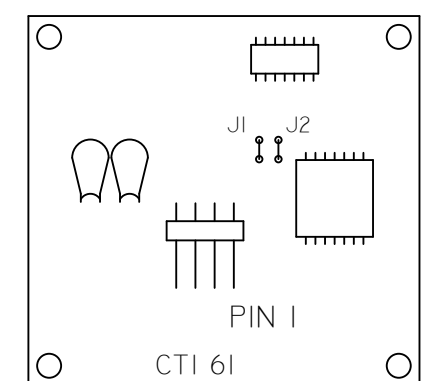
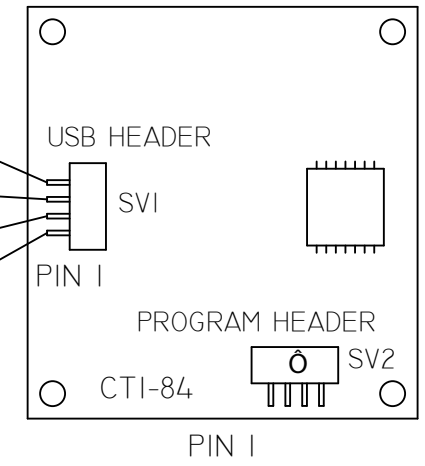


USB FUNCTIONS

- COMMON — BLACK
- D+ — GREEN
- D- — WHITE
- +5V — RED



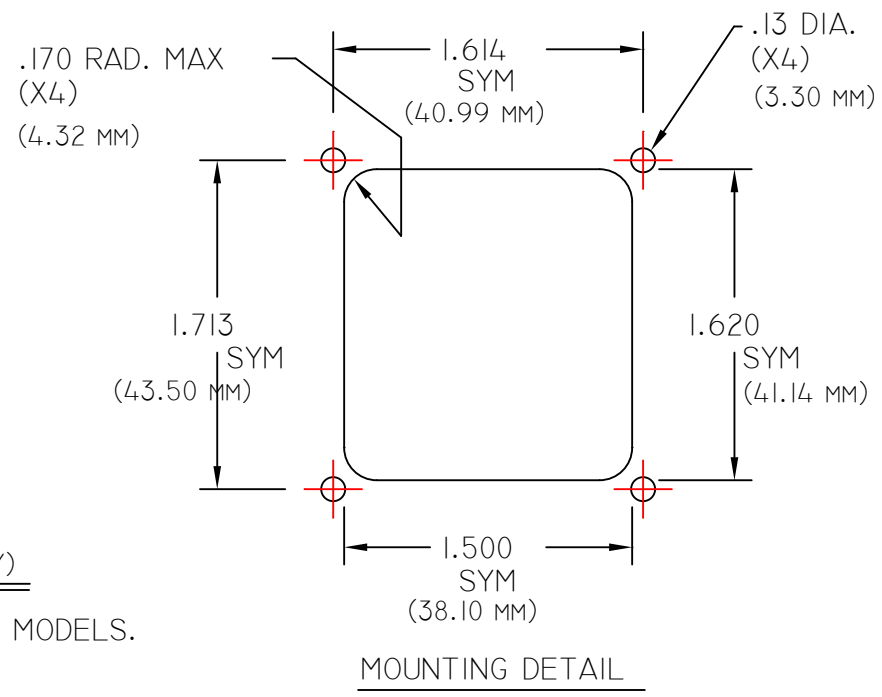
JUMPER FUNCTION (PS/2 ONLY)  
 JUMPER J2 IS REQUIRED FOR BACKLIT MODELS.

NOTES:

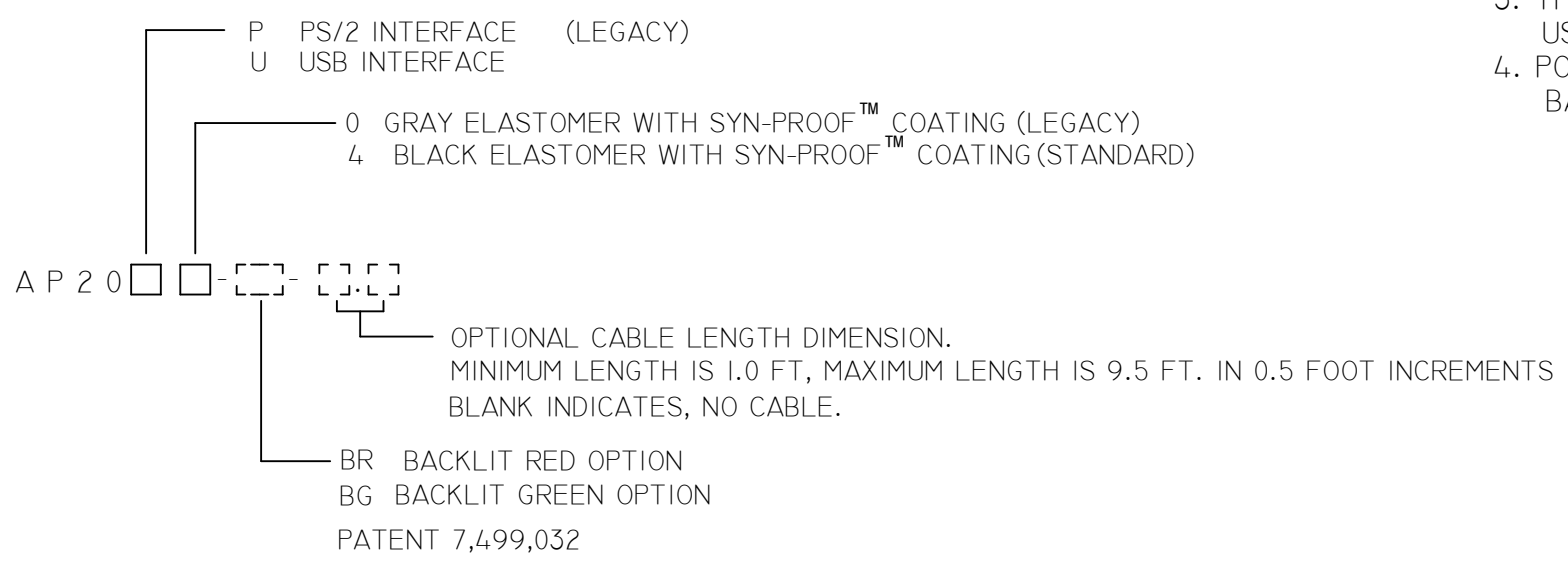
1. ALL KEY SWITCHES HAVE HARD GOLD PLATED CONTACTS, RATED AT 10MM ACTIVATIONS.
2. OUTPUT CONNECTOR HAS GOLD PLATED .025 SQUARE PINS ON 0.1" CENTERS
3. THIS PRODUCT CONTAINS STATIC SENSITIVE COMPONENTS, USE APPROPRIATE PRECAUTIONS WHEN HANDLING.
4. POWER REQUIREMENTS: (PS/2) 35mA TYPICAL AT 5 VOLTS  
 BACKLIT MODEL AP2000-BX 55mA MAX AT 5 VOLTS

PS/2 HEADER OUTPUT

PIN NO.	FUNCTION	"CTI" COLORS
1	CLOCK	YELLOW
2	DATA	BLACK
3	+5 VOLTS	RED
4	COMMON	GREEN



ORDERING INFORMATION:



**CTI ELECTRONICS**  
 WWW.CTIELECTRONICS.COM

NEMA 4 (IP66)  
 OEM INDUSTRIAL ARROWMOUSE™  
 (BUTTON STYLE POINTING DEVICE)  
 AP2000 SERIES

<b>761730</b>	DATE 01-17-18 DRAWN BY PSB
APPROVED	SHEET 1 OF 1

COPYRIGHT 2018 CTI ELECTRONICS  
 SPECIFICATIONS SUBJECT TO CHANGE WITHOUT NOTICE