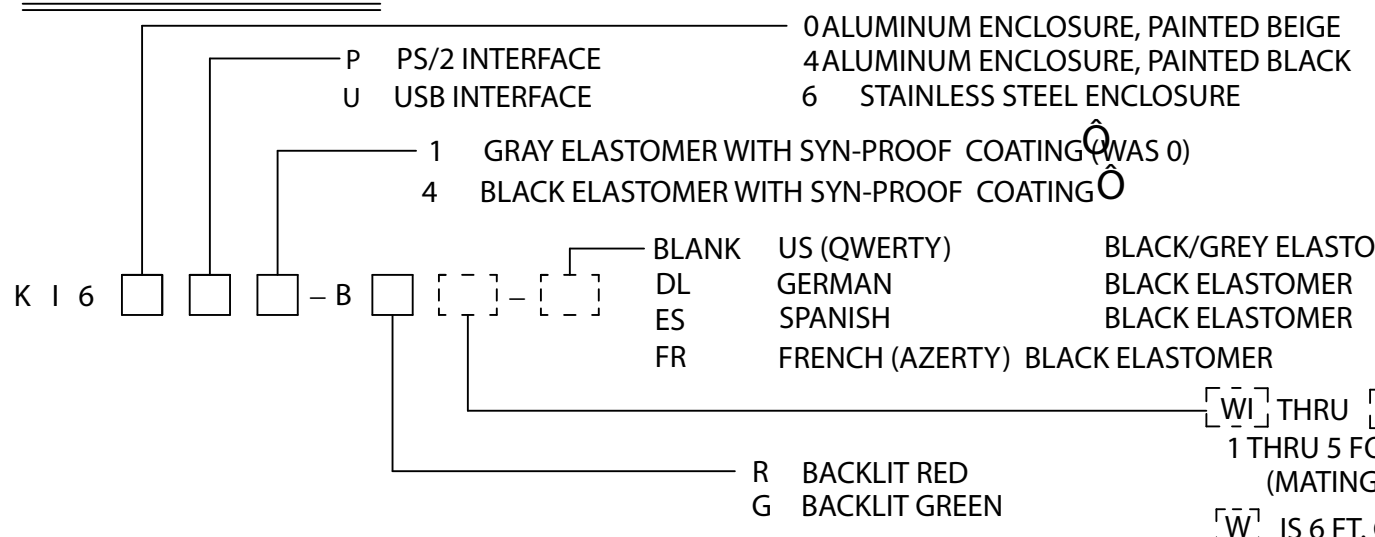


**SPECIFICATION:**

- TEMPERATURE: -40°C TO +80°C
- SEALING: NEMA 12 (IP54)
- SHOCK: 40G (N) 11 msec. per MIL-STD-810
- WEIGHT: KEYBOARD IN ALUMINUM ENCLOSURE APPROX. 21.7 OZ. (.61 KILOGRAMS)  
KEYBOARD IN STAINLESS STEEL ENCLOSURE APPROX. 40.OZ. (1.13 KILOGRAMS)
- STANDARDS: CE, ROHS, REACH, FCC CLASS B

**ORDERING INFORMATION:**



[W1] THRU [W5] INDICATES OPTIONAL BULKHEAD CONNECTOR, 1 THRU 5 FOOT CABLE LENGTH IN 1 FT. INCREMENTS. (MATING CABLE INCLUDED)

[W] IS 6 FT. CABLE WITH OPTIONAL BULKHEAD CONNECTOR PS/2 ONLY (LEGACY).

NOTE: DIMENSIONS ARE IN INCHES [MILLIMETERS]

|   |                               |
|---|-------------------------------|
| CTI ELECTRONICS CORPORATION<br>WWW.CTIELECTRONICS.COM                                   |                               |
| NEMA 4X/IP66<br>INDUSTRIAL KEYBOARD<br>KI6000 BACKLIT SERIES                            |                               |
| 761750  | SHEET 1 OF 1                  |
| APPROVED  | DATE 09-29-16<br>DRAWN BY PSB |
| COPYRIGHT 2016 CTI ELECTRONICS CORP.<br>SPECIFICATIONS SUBJECT TO CHANGE WITHOUT NOTICE |                               |