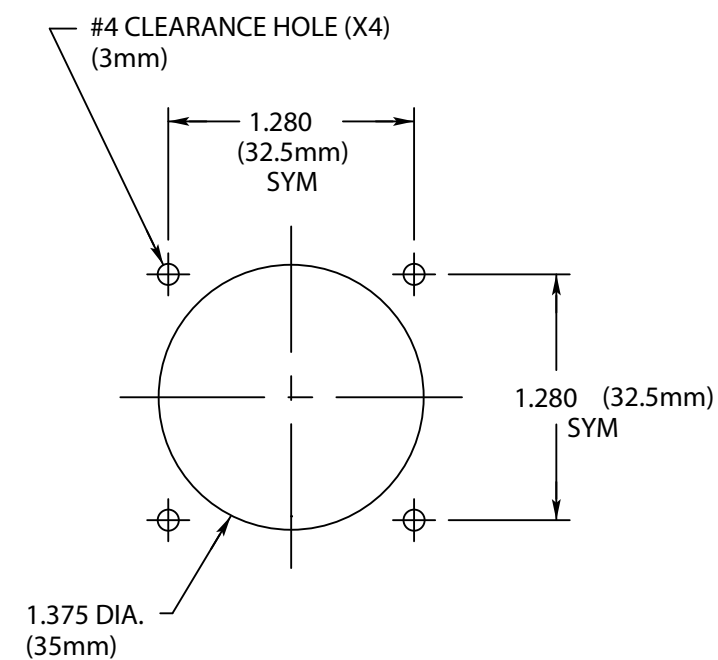
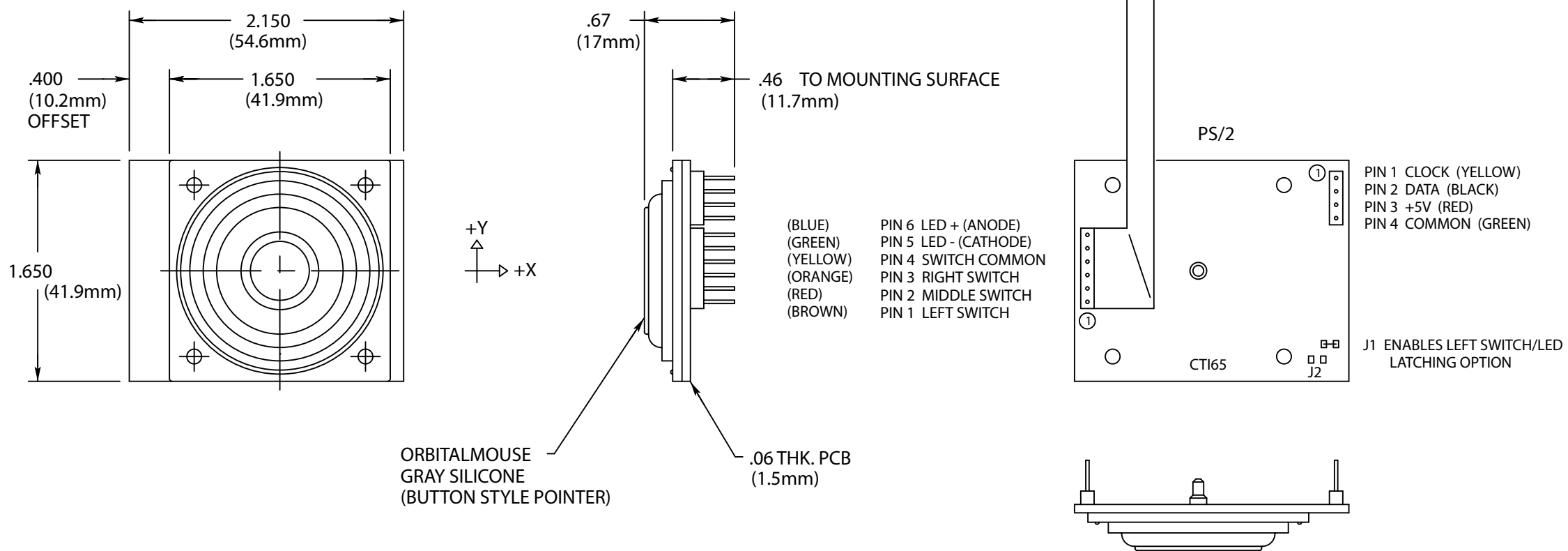
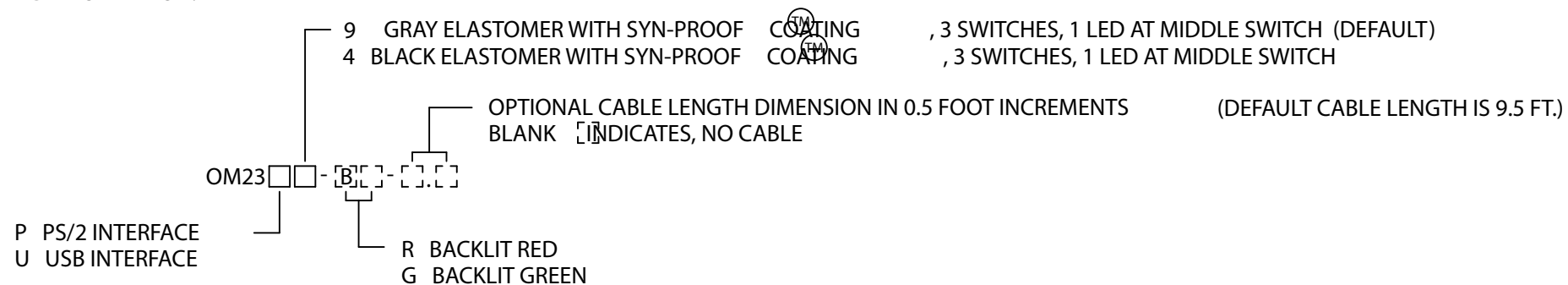


MOUNTING DETAIL



MOUNTING DETAIL

ORDERING INFORMATION:



|  |                 |
|--|-----------------|
| <b>CTI</b> ELECTRONICS CORPORATION   |                 |
| 110 Old South Ave., Stratford, CT 06615 - Tel 203 / 386-9779 - Fax 203 / 378-4986 - www.ctielelectronics.com |                 |
| TITLE: MODEL OM2300 SERIES ORBITALMOUSE™ (BUTTON STYLE POINTER)  |                 |
| REV. F   | DATE: 01-24-06  |
| APPROVED:  | DRAWN: SJS / VI |
| <b>B 761764</b>  |                 |