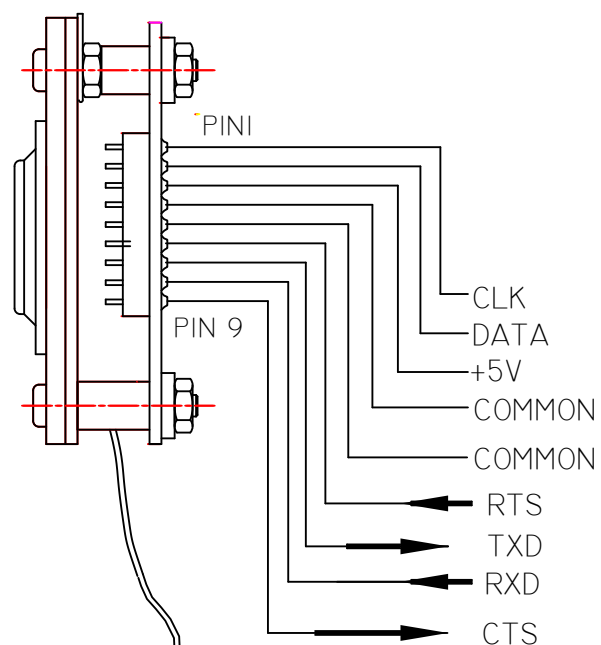
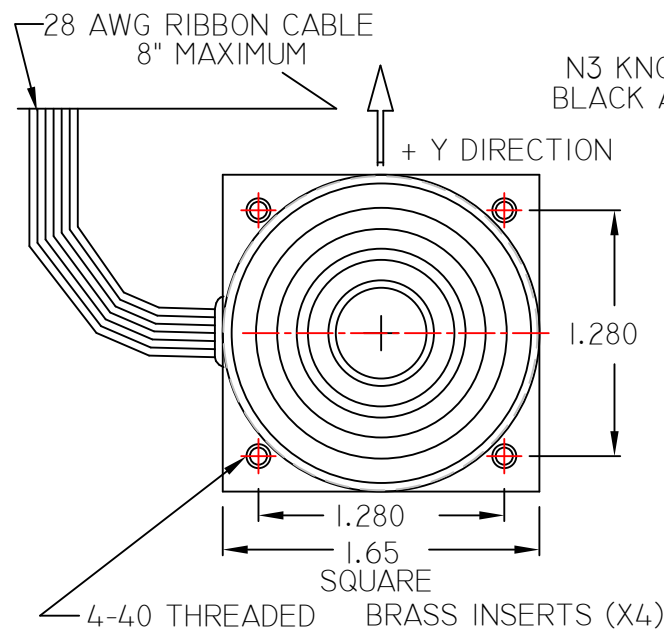
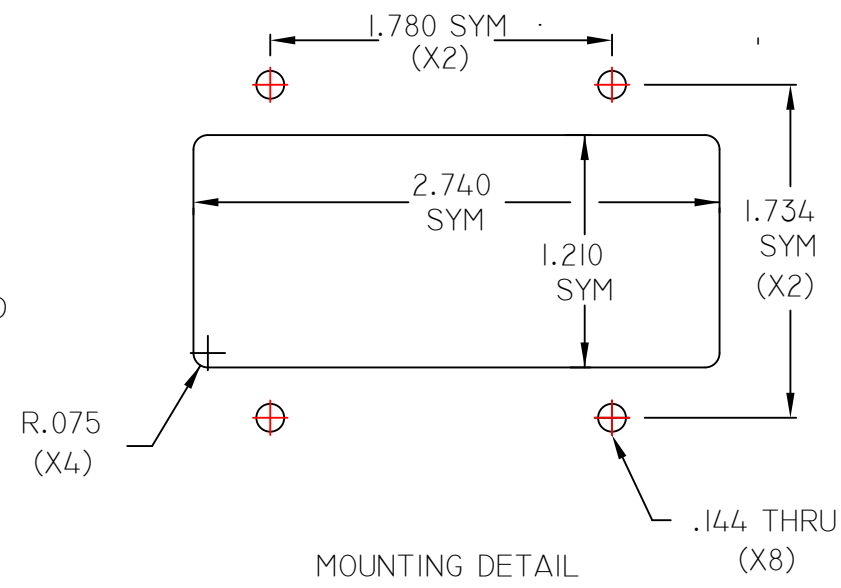
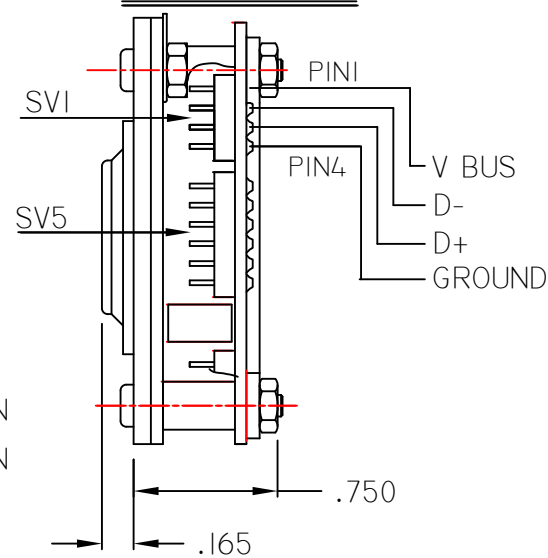


NOTES
 DIMENSIONS ARE IN INCHES
 ALL CONNECTOR HEADERS ARE .025 SQUARE
 WITH 0.1 SPACING

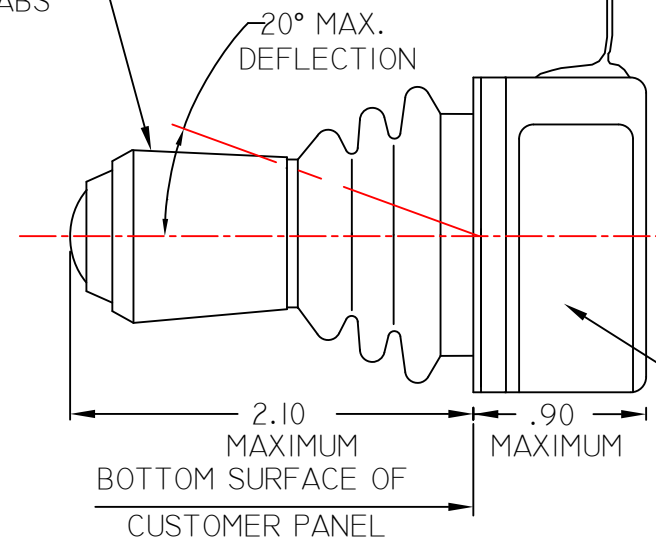
PS/2 SIDE VIEW



USB SIDE VIEW



N3 KNOB
 BLACK ABS

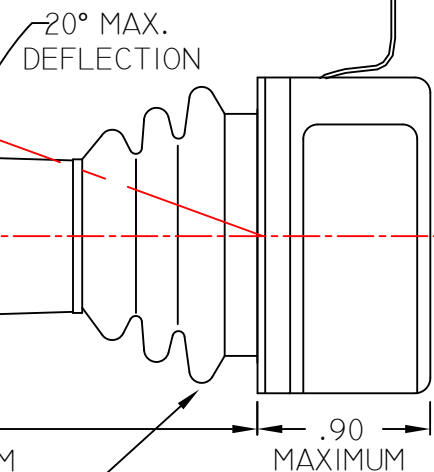


PUSH
 BUTTON SWITCH

LABEL

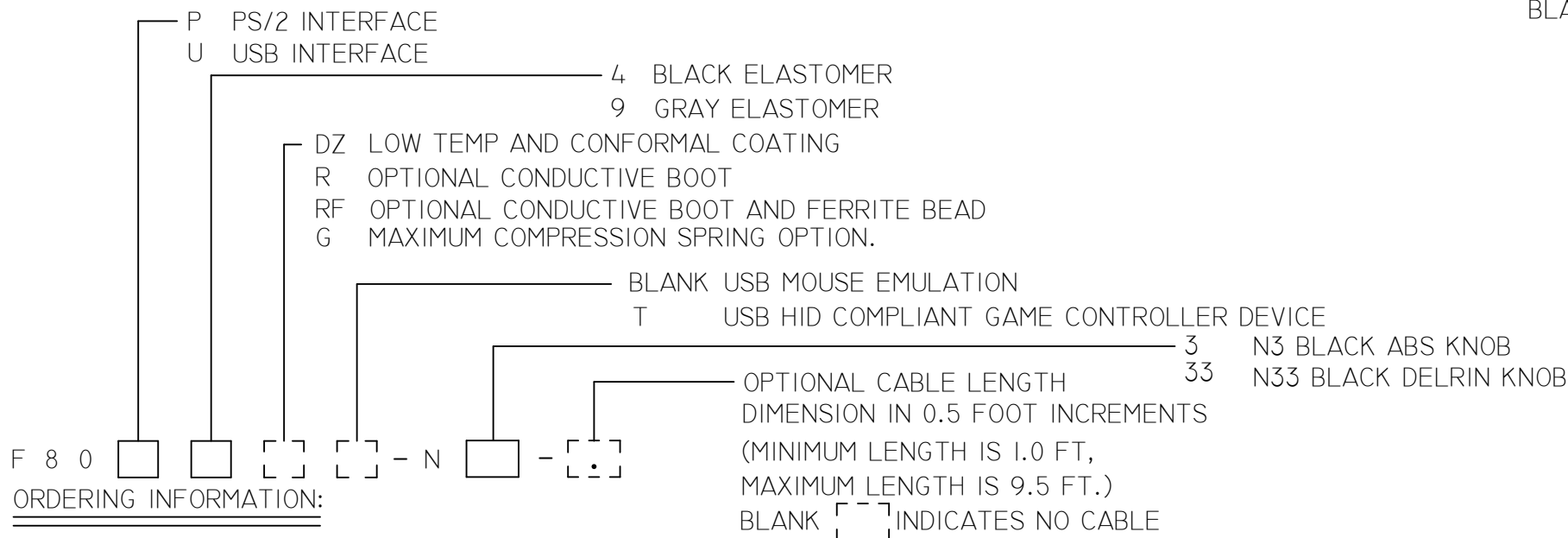
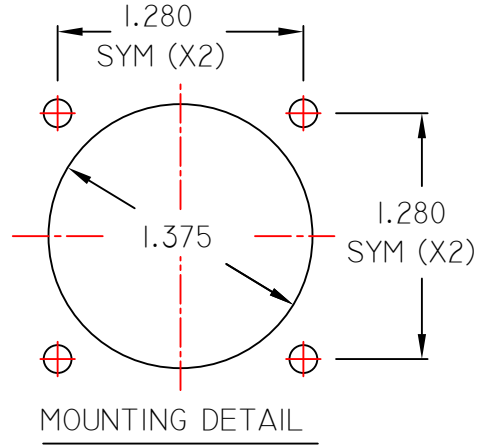
N33 KNOB
 BLACK DELRIN

NEOPRENE BOOT
 BLACK



SPECIFICATIONS

TEMPERATURE: -40°C TO +80°C
 SEALING: NEMA 4 (IP66) ABOVE PANEL
 WEIGHT: 4.9 OZ TYPICAL N3 MODEL WITHOUT CABLE
 STANDARD: CE, RoHS, REACH, FCC CLASS B



ORDERING INFORMATION:

CTI ELECTRONICS CORPORATION
 WWW.CTIELECTRONICS.COM

NEMA 4 (IP66) OEM INDUSTRIAL MOUSE™,
 OR USB FLIGHTSTICK F80U0-NX SERIES
 (US STANDARD)

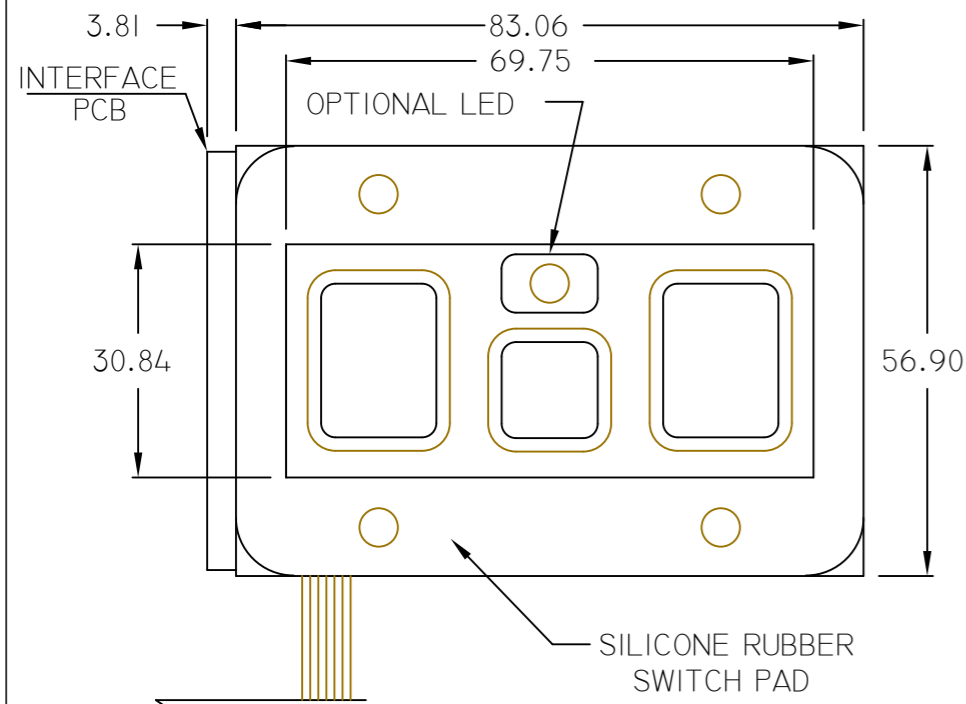
761768-1

DATE 07-11-17
 SHEET 1 OF 1

APPROVED

DRAWN BY PSB

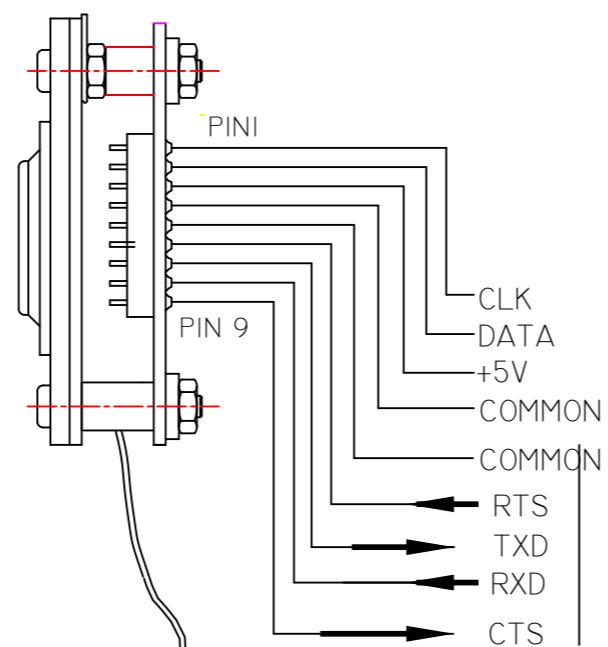
COPYRIGHT 2017 CTI ELECTRONICS CORP
 SPECIFICATIONS SUBJECT TO CHANGE WITHOUT NOTICE



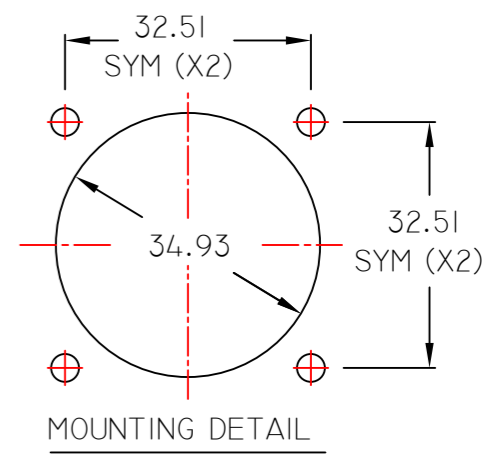
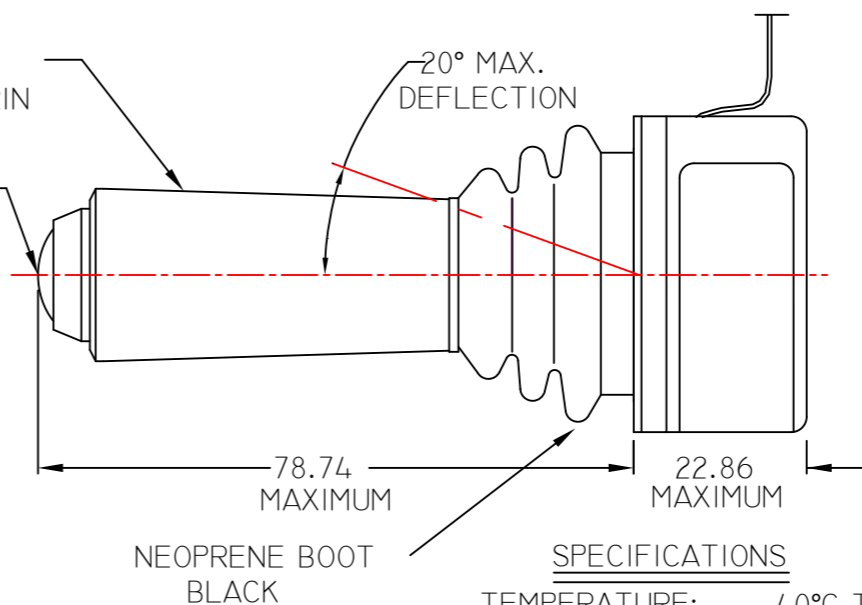
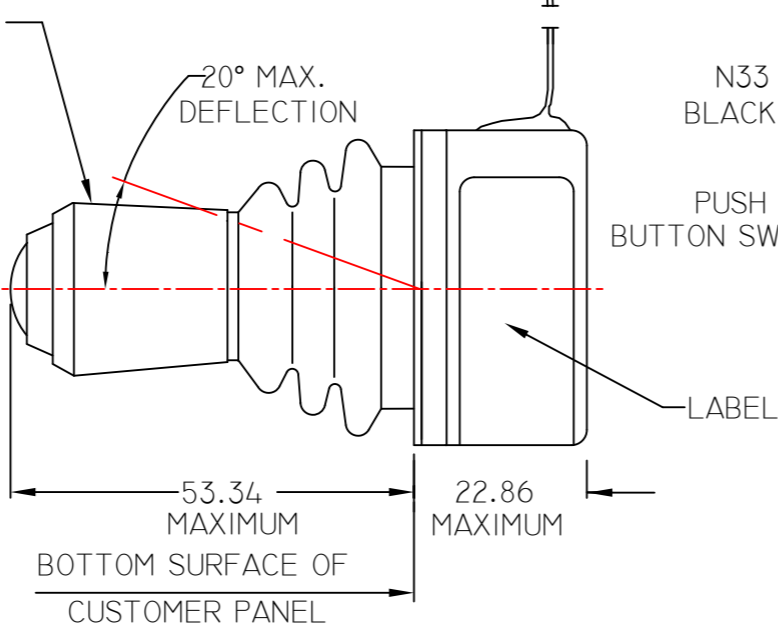
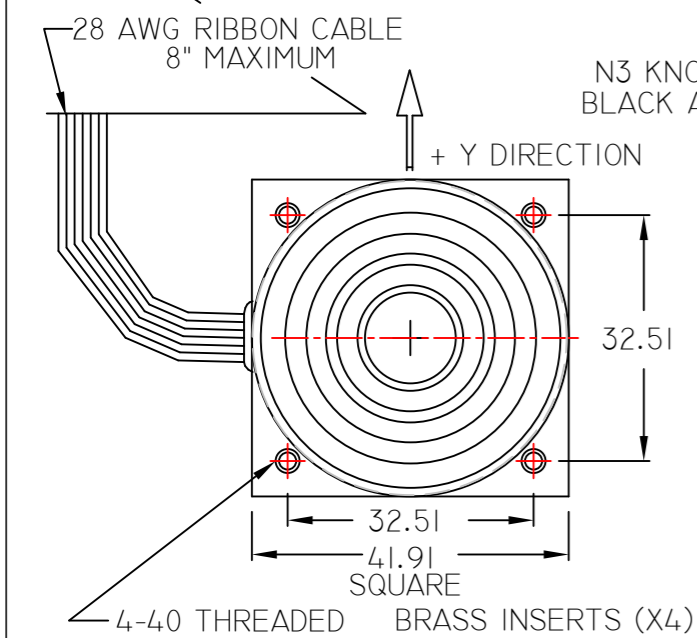
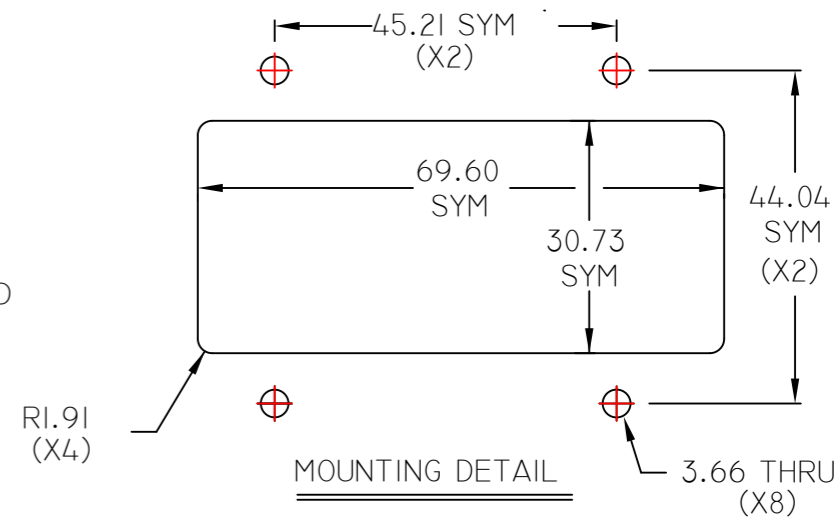
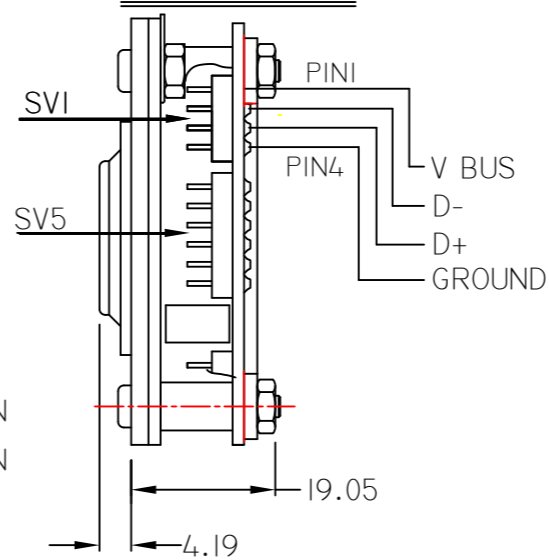
NOTES

DIMENSIONS ARE IN MILLIMETERS
ALL CONNECTOR HEADERS ARE .025 SQUARE
WITH 0.1 SPACING

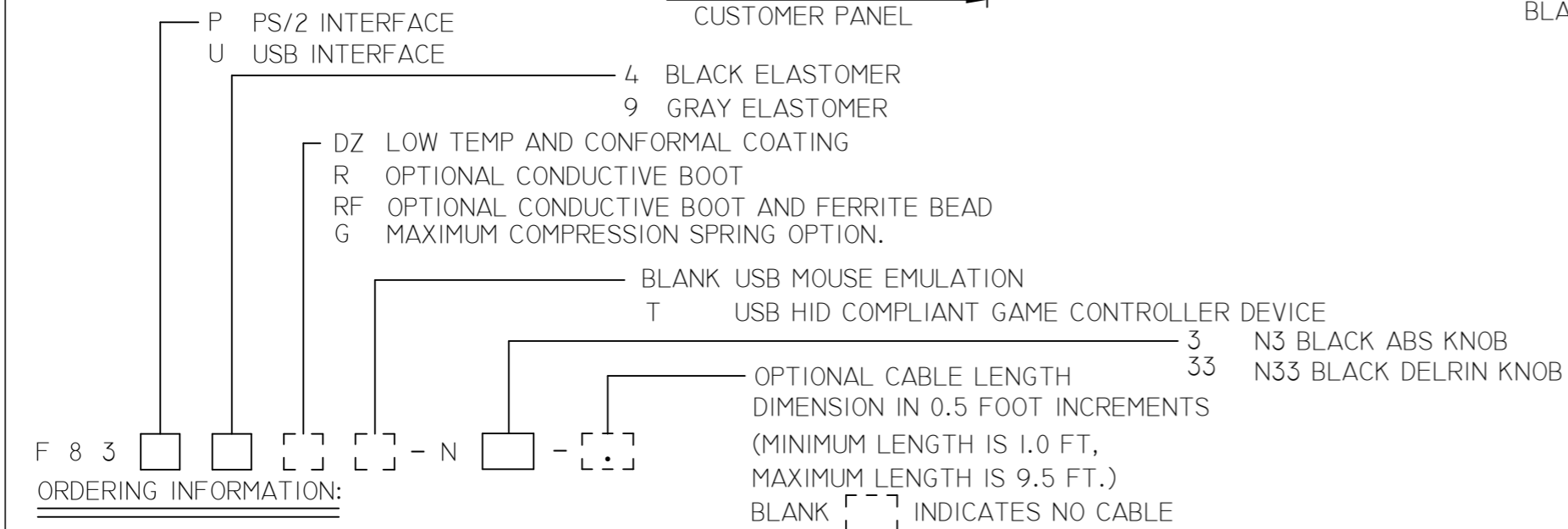
PS/2 SIDE VIEW



USB SIDE VIEW



TEMPERATURE: -40°C TO +80°C
SEALING: NEMA 4 (IP66) ABOVE PANEL
WEIGHT: 140.GMS TYPICAL N3 MODEL WITHOUT CABLE
STANDARD: CE, RoHS, REACH, FCC CLASS B



CTI ELECTRONICS CORPORATION
WWW.CTIELECTRONICS.COM

NEMA 4 (IP66) OEM INDUSTRIAL MOUSE™,
OR USB FLIGHTSTICK F83U0-NX SERIES (METRIC)

761768-2

DATE 07-11-17
SHEET 1 OF 1

APPROVED

DRAWN BY PSB

COPYRIGHT 2017 CTI ELECTRONICS CORP
SPECIFICATIONS SUBJECT TO CHANGE WITHOUT NOTICE