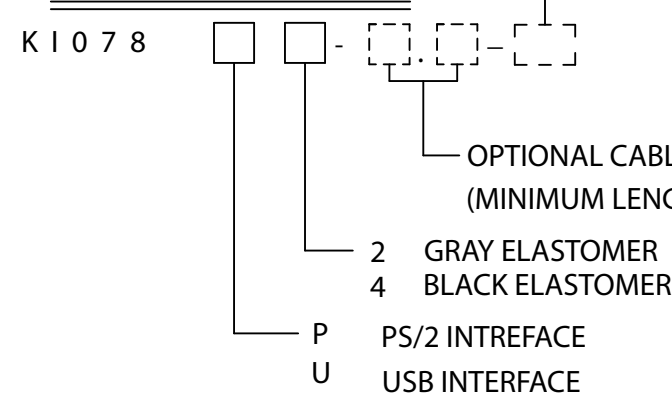


**ORDERING INFORMATION:**

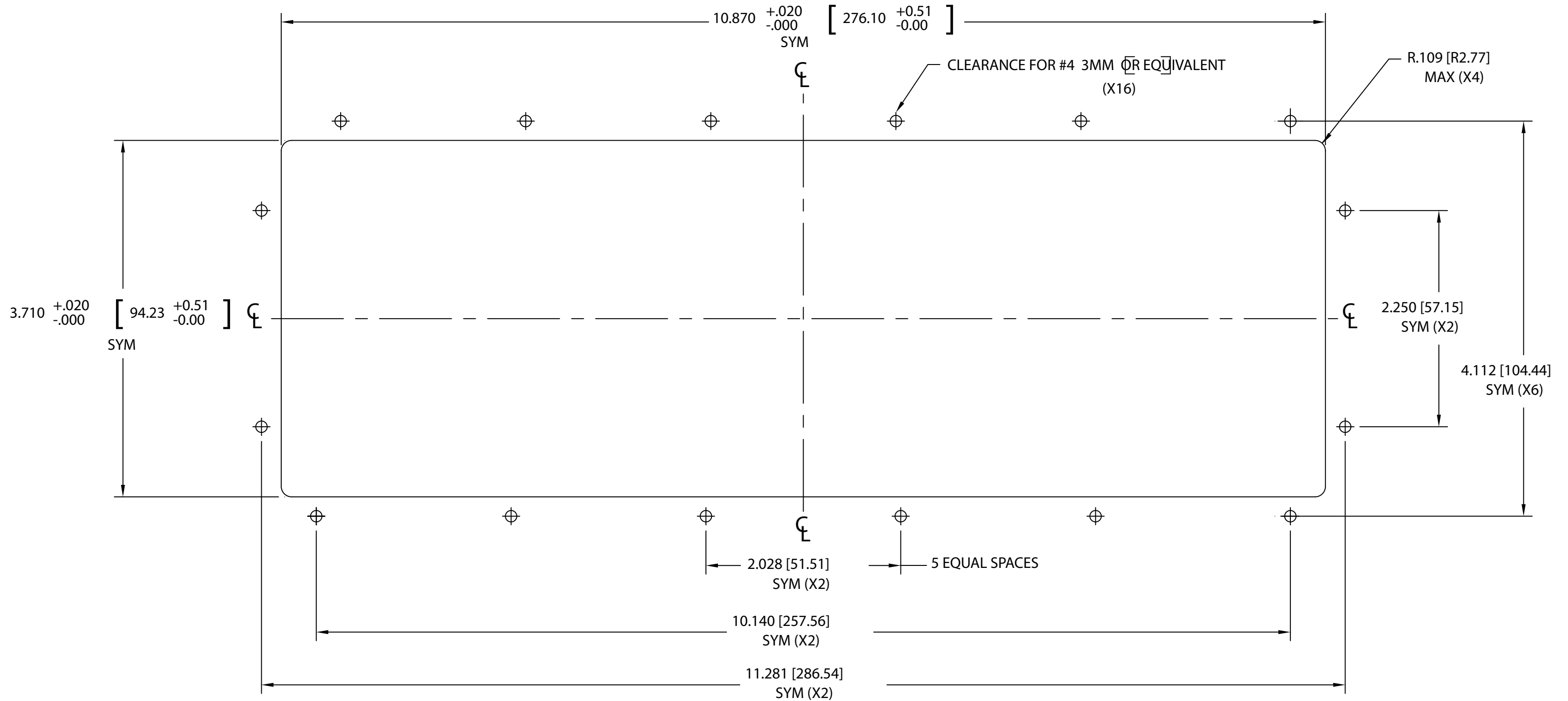


- LANGUAGE OPTIONS**
- BLANK IS US "QWERTY" (GRAY ELASTOMER)
  - DL GERMAN (GRAY ELASTOMER)
  - ES SPANISH (BLACK ELASTOMER)
  - FR FRENCH (GRAY ELASTOMER)

**SPECIFICATION:**

- TEMPERATURE: -40°C TO +80°C
- SEALING: NEMA 4 (IP66)
- SHOCK: 40G (N) 11 msec. per MIL-STD-810
- WEIGHT: KEYBOARD WITH PCB APPROX. 12 OZ. (340 GRAMS)  
9.5 FT. CABLE APPROX 6 OZ. (170 GRAMS)
- STANDARDS: RoHS, REACH, FCC CLASS B
- PATENTS: 7,499,032, OTHERS PENDING

<b>CTI ELECTRONICS CORPORATION</b>	
WWW.CTIELECTRONICS.COM	
<b>MODEL KI078X2 SERIES</b>	
<b>NEMA 4 (IP66) OEM KEYBOARD</b>	
<b>WITH ORBITALMOUSE</b>	
<b>(BUTTON STYLE POINTER)</b>	
<b>761795</b>	DATE 03-01-16
APPROVED	DRAWN BY PSB
SHEET 1 OF 2	
COPYRIGHT 2016 CTI ELECTRONICS CORP. SPECIFICATIONS SUBJECT TO CHANGE WITHOUT NOTICE	



### MOUNTING DETAILS

NOTES:

1. DEBURR ALL EDGES
2. USE #4 OR 3MM STAINLESS HARDWARE FOR MOUNTING.
3. TAKE 'ESD' PRECAUTIONS DURING INSTALLATION AS ELECTRONIC COMPONENTS ARE EXPOSED.

**CTI** ELECTRONICS CORPORATION  
 WWW.CTIELECTRONICS.COM

MODEL KI078X2 SERIES  
 NEMA 4 (IP66) OEM KEYBOARD  
 WITH ORBITALMOUSE <sup>®</sup>  
 (BUTTON STYLE POINTER)

**761795**

DATE 03-02-16  
 DRAWN BY PSB

APPROVED SHEET 2 OF 2

COPYRIGHT 2016 CTI ELECTRONICS CORP.  
 SPECIFICATIONS SUBJECT TO CHANGE WITHOUT NOTICE