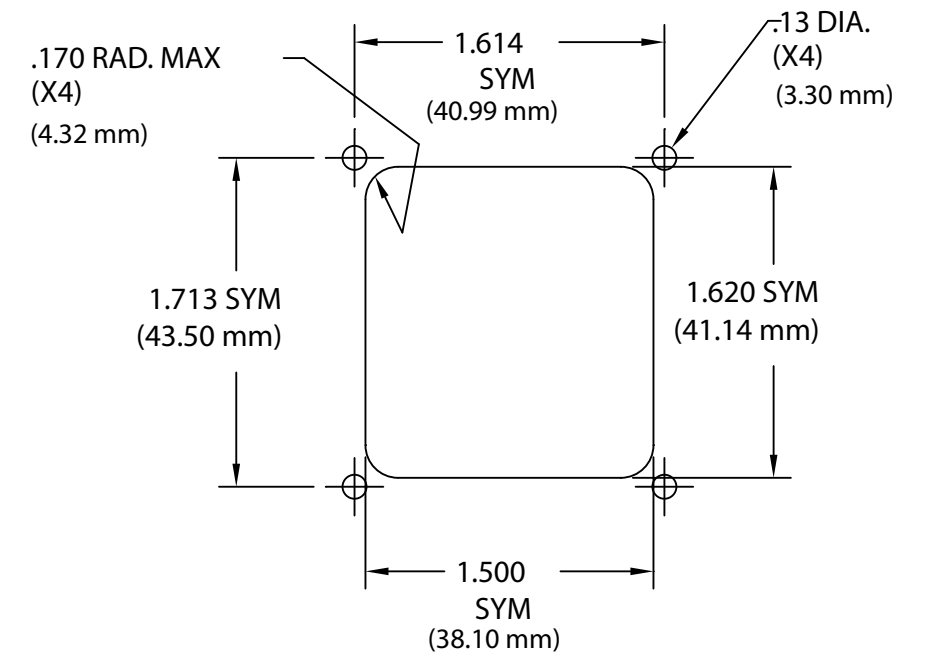
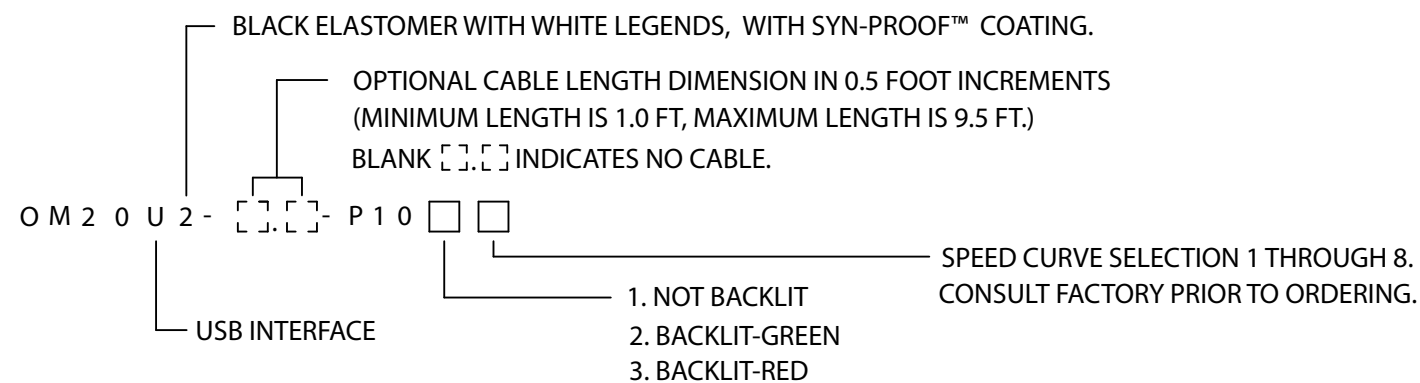


USB HEADER OUTPUT		
PIN NO.	FUNCTION	"CTI" COLORS
1	+5V	RED
2	D-	WHITE
3	D+	GREEN
4	COMMON	BLACK



ORDERING INFORMATION:



SPECIFICATIONS:

TEMPERATURE RANGE: -40°C TO +80°C
 SEALING RATING: NEMA 4 (IP66), PCB HAS CONFORMAL COATING
 SHOCK: 50G 11 MSEC. PER MIL-STD-810
 WEIGHT: ASSEMBLY, LESS CABLE, APPROX. 0.6 OZ. (18 GRAMS)
 STANDARDS: CE, ROHS AND FCC CLASS B COMPLIANT
 POWER: 10mA @ 5V TYPICAL NON-BACKLIT
 PATENT: 7,499,032

NOTES:

- ALL KEY SWITCHES HAVE HARD GOLD PLATED CONTACTS, RATED AT 10 MILLION ACTIVATIONS.
- OUTPUT CONNECTOR HAS GOLD PLATED .025 SQUARE PINS ON .1" CENTERS
- THIS PRODUCT CONTAINS STATIC SENSITIVE COMPONENTS,

SPECIFICATIONS SUBJECT TO CHANGE WITHOUT NOTICE

CTI ELECTRONICS CORPORATION		
WWW.CTIELECTRONICS.COM		
NEMA 4 (IP66) OEM INDUSTRIAL ORBITALMOUSE® (BUTTON STYLE POINTER) OM20U2 SERIES		
761802		DATE 10-29-14
APPROVED	SHEET 1 OF 1	DRAWN BY SJS/PSB