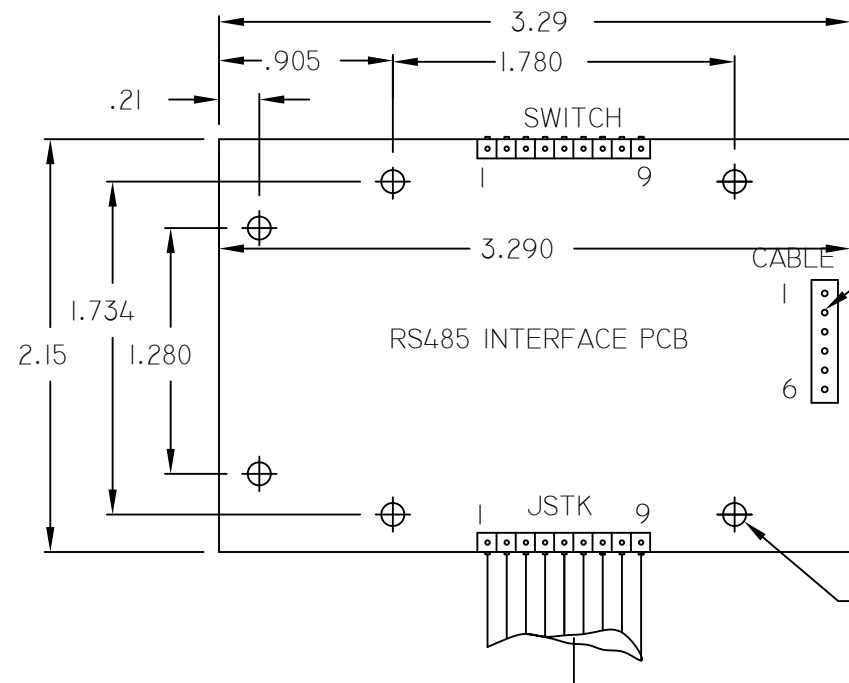
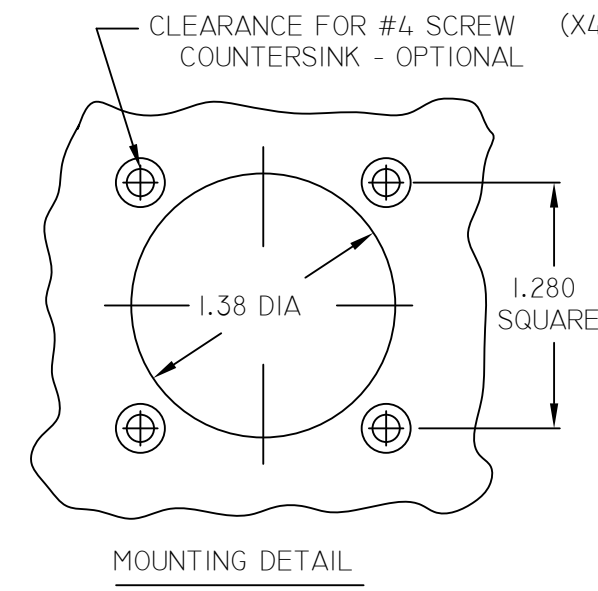
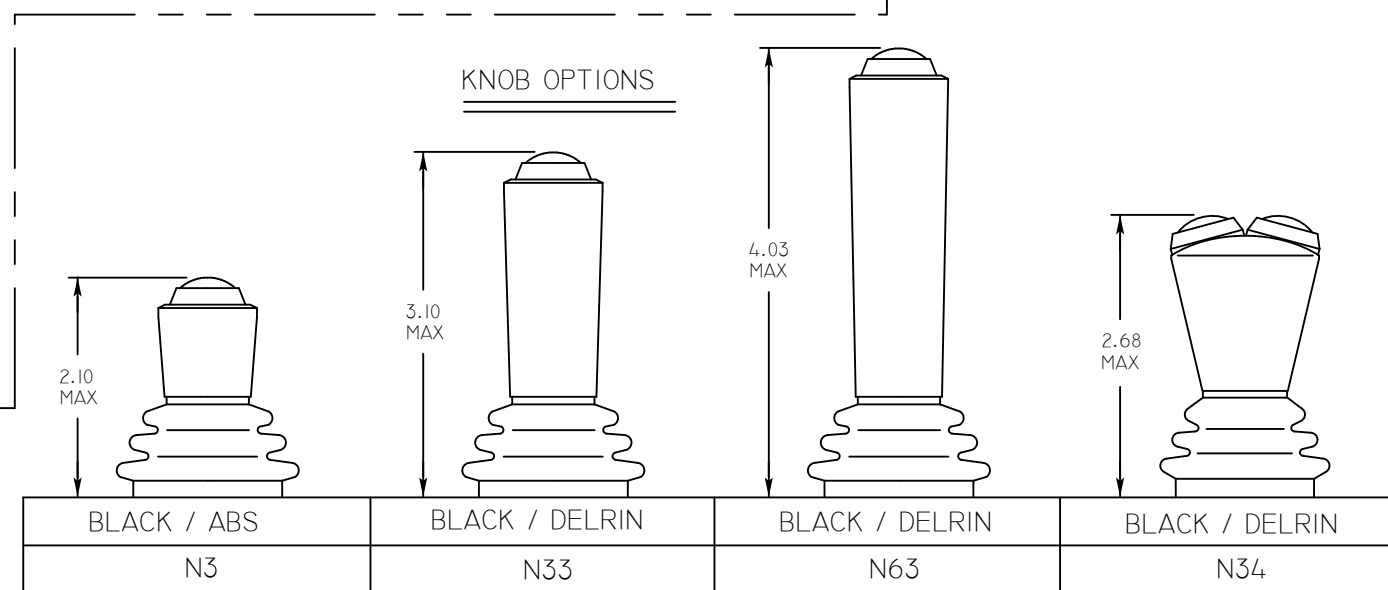
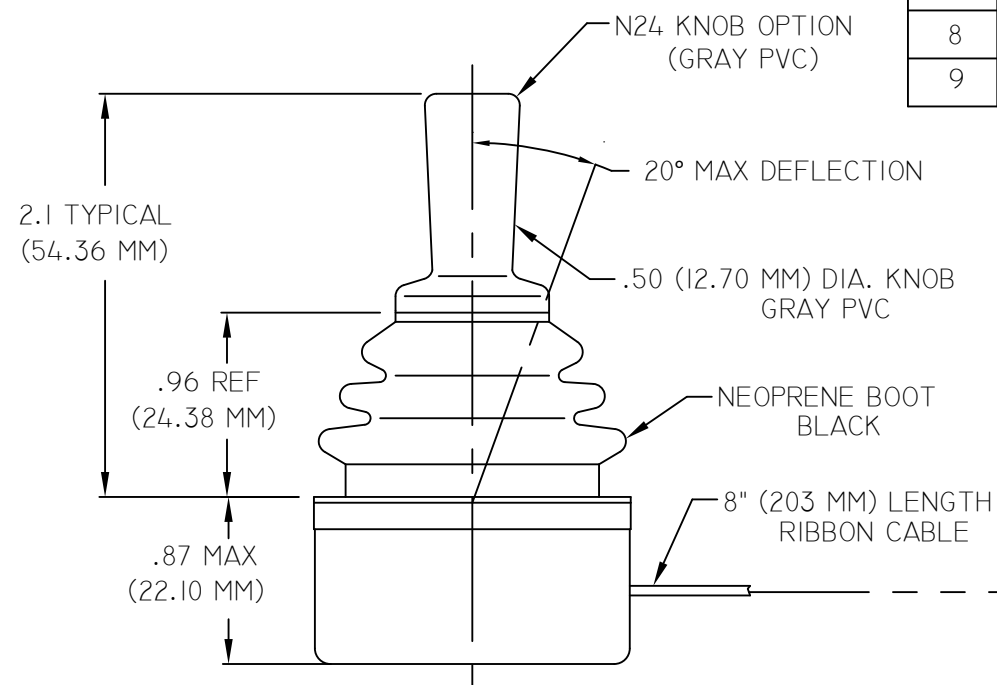


SWITCH HEADER	
PIN	FUNCTION
1	LEFT SWITCH
2	MIDDLE
3	RIGHT SWITCH
4	COMMON
5	LED (-)
6	LED (+)
7	_____
8	_____
9	_____

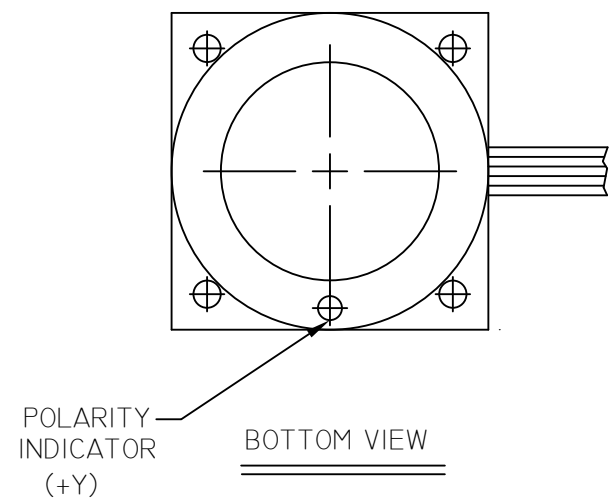


OUTPUT HEADER	
PIN	FUNCTION
CABLE 1	+5V SUPPLY
CABLE 2	$\overline{\text{TXD}}$
CABLE 3	TXD
CABLE 4	$\overline{\text{RXD}}$
CABLE 5	RXD
CABLE 6	COMMON

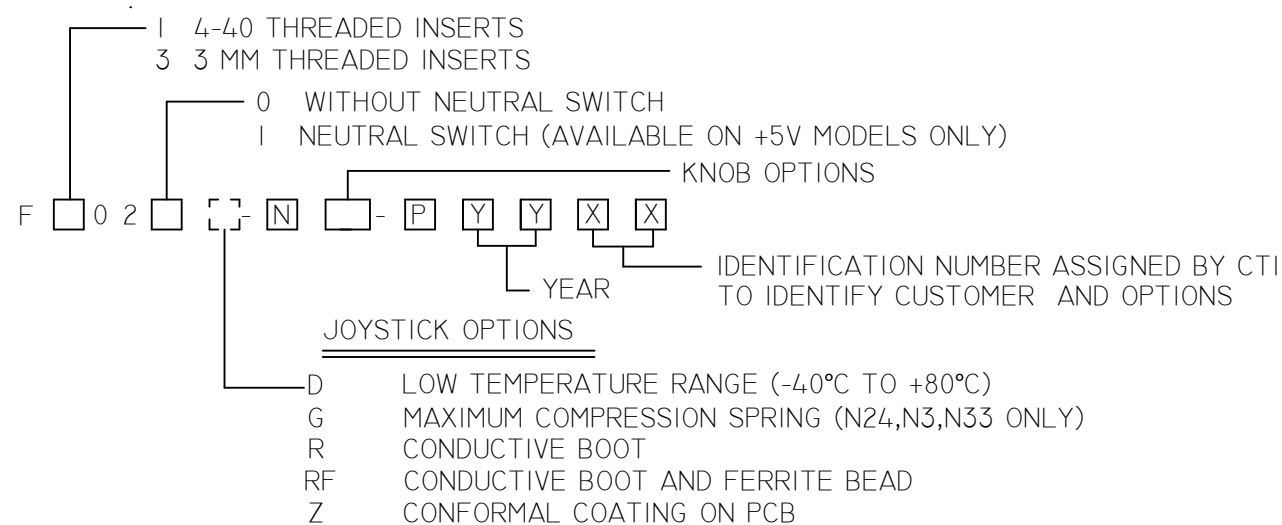


NOTES:

- 1.) REFERENCE WIRING DIAGRAM 791765
- 2.) RS485 TERMINATION RESISTOR IS 1K OHM
- 3.) TYPICAL PROTOCOL REFERENCE IJ054A-2
- 4.) ALL DIMENSIONS ARE IN INCHES, EXCEPT () ARE IN MILLIMETERS



ORDERING INFORMATION:



CTI ELECTRONICS CORPORATION
WWW.CTIELECTRONICS.COM

NEMA 4 (IP66) INDUSTRIAL JOYSTICK
WITH RS485 SERIAL INTERFACE SYSTEM
SPECIFICATION DRAWING

761811

DRAWN BY PSB
DATE 05-03-17

APPROVED

SHEET 1 OF 1

COPYRIGHT 2017 CTI ELECTRONICS CORP.
SPECIFICATIONS SUBJECT TO CHANGE WITHOUT NOTICE