

NOTE
ALL DIMENSIONS ARE IN INCHES

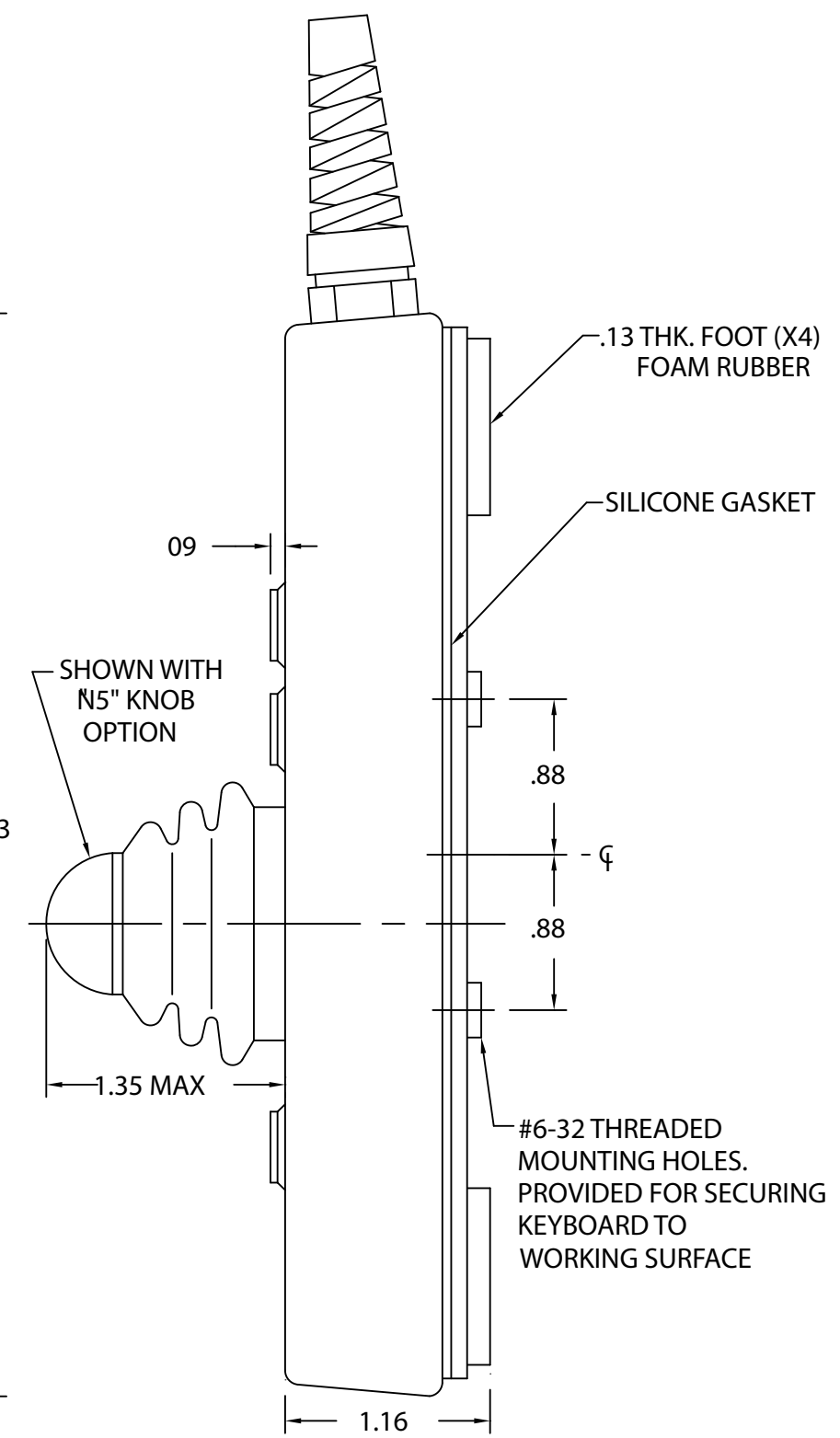
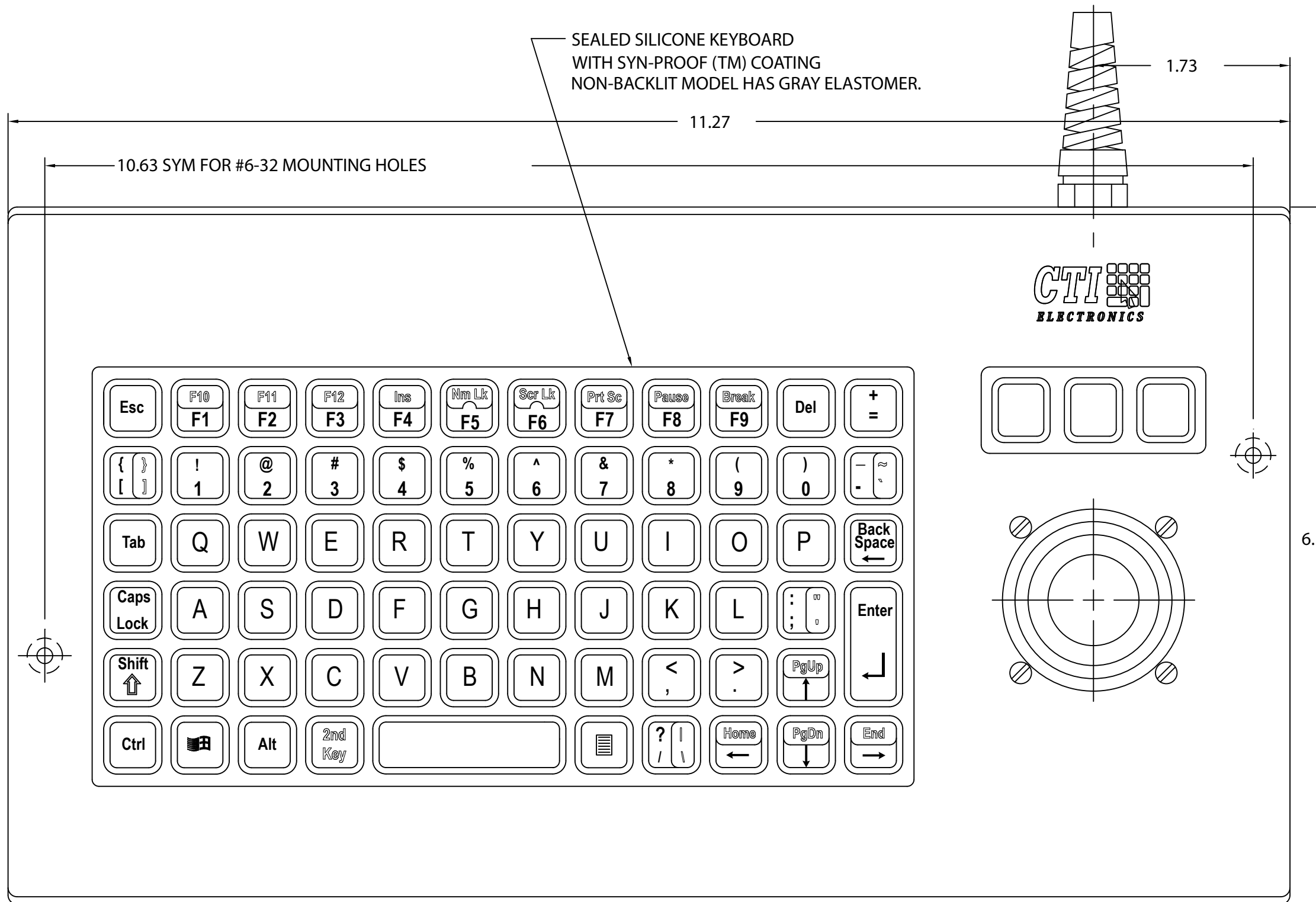
ORDERING INFORMATION:

- 4 ALUMINUM ENCLOSURE, PAINTED BLACK
- 6 STAINLESS STEEL ENCLOSURE
- U USB INTERFACE (9.5 FT. DEFAULT CABLE LENGTH)

K I F 6 U 1 - N2

- [W1] THRU [W5] INDICATES OPTIONAL BULKHEAD CONNECTOR, 1 THRU 5 FOOT CABLE LENGTH IN 1 FT. INCREMENTS.
- G MAXIMUM COMPRESSION SPRING OPTION.
- RF CONDUCTIVE BOOT OPTION.

CTI ELECTRONICS CORPORATION		REV. A
WWW.CTIELECTRONICS.COM		DRAWN BY PSB
NEMA 4/4X (IP66) INDUSTRIAL KEYBOARD WITH INDUSTRIAL MOUSE™ KIF6000 SERIES		
761813	SHEET 1 OF 2	
APPROVED	DATE 05-05-11	



NOTE
ALL DIMENSIONS ARE IN INCHES

ORDERING INFORMATION:

4 ALUMINUM ENCLOSURE, PAINTED BLACK
 6 STAINLESS STEEL ENCLOSURE
 U USB INTERFACE (9.5 FT. DEFAULT CABLE LENGTH)

K I F 6 U 1 - N 5

[W1] THRU [W5] INDICATES OPTIONAL BULKHEAD CONNECTOR,
 1 THRU 5 FOOT CABLE LENGTH IN 1 FT. INCREMENTS.
 G MAXIMUM COMPRESSION SPRING OPTION.
 RF CONDUCTIVE BOOT OPTION.

CTI ELECTRONICS CORPORATION		REV. A
WWW.CTIELECTRONICS.COM		DRAWN BY PSB
NEMA 4/4X (IP66) INDUSTRIAL KEYBOARD WITH INDUSTRIAL MOUSE™ KIF6000 SERIES		
761813	SHEET 2 OF 2	
APPROVED	DATE 05-05-11	