

SEALD SILICONE ELASTOMER KEYBOARDS WITH SYN-PROOF (TM) COATING. BACKLIT MODEL HAS BLACK ELASTOMER.

1.73

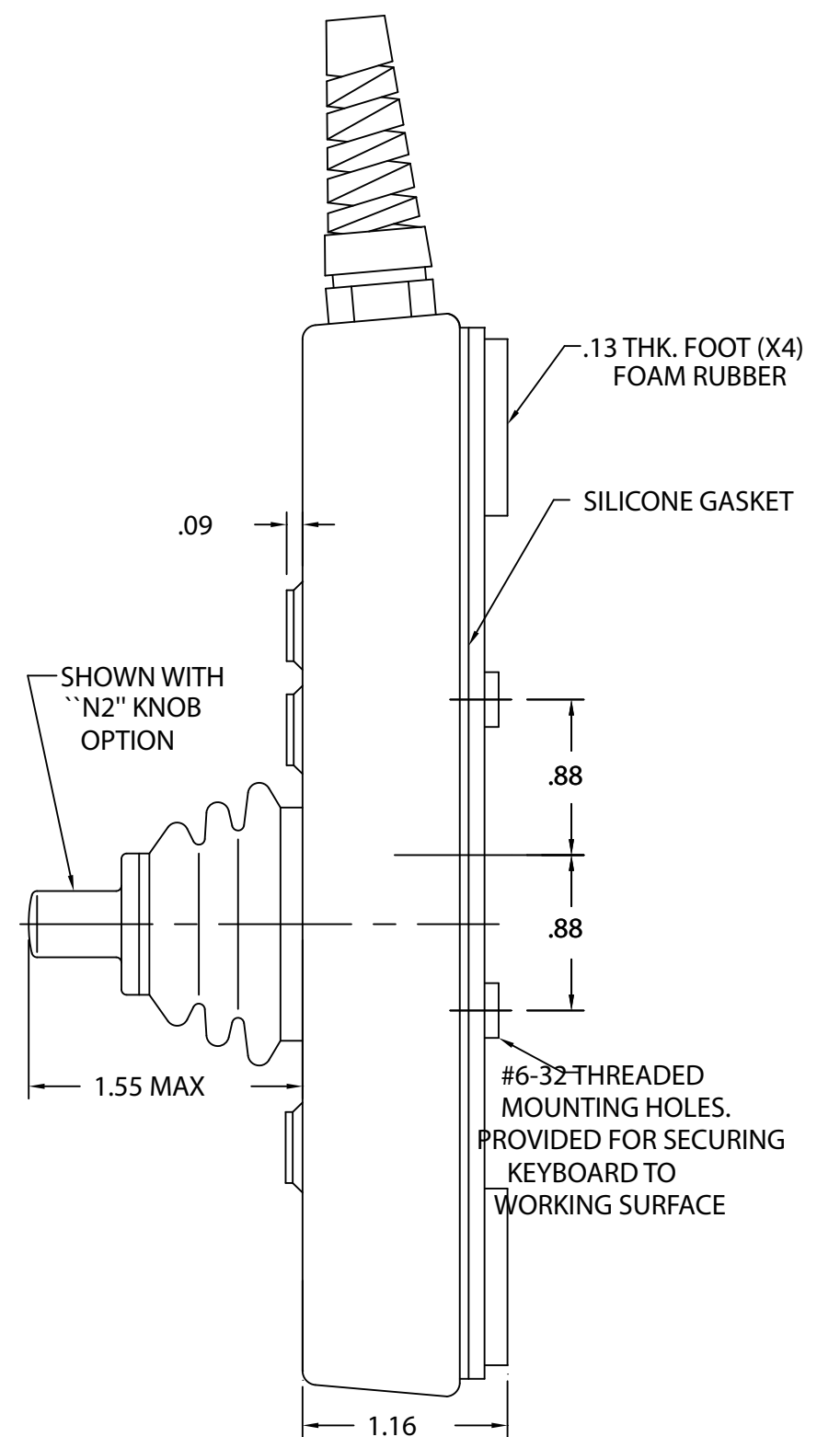
11.27

10.63 SYM FOR #6-32 MOUNTING HOLES

CTI
ELECTRONICS

6.13

NOTE
ALL DIMENSIONS ARE IN INCHES



.13 THK. FOOT (X4)
FOAM RUBBER

SILICONE GASKET

.09

SHOWN WITH
"N2" KNOB
OPTION

.88

.88

1.55 MAX

#6-32 THREADED
MOUNTING HOLES.
PROVIDED FOR SECURING
KEYBOARD TO
WORKING SURFACE

1.16

CTI ELECTRONICS CORPORATION		
WWW.CTIELECTRONICS.COM		
NEMA 4/4X (IP66) INDUSTRIAL KEYBOARD WITH INDUSTRIAL MOUSE KIF6000-BX KIF6000-BX BACKLIT SERIES		
761814	SHEET 1 OF 2	REV. A
APPROVED	DATE 05-05-11	DRAWN BY PSB

ORDERING INFORMATION:

4 ALUMINUM ENCLOSURE, PAINTED BLACK
6 STAINLESS STEEL ENCLOSURE

U USB INTERFACE (9.5 FT. DEFAULT CABLE LENGTH)

K I F 6 U 4 N 2 -

BR BACKLIT RED OPTION
BG BACKLIT GREEN OPTION

[W1] THRU [W5] INDICATES OPTIONAL BULKHEAD CONNECTOR,
1 THRU 5 FOOT CABLE LENGTH IN 1 FT. INCREMENTS.

G MAXIMUM COMPRESSION SPRING OPTION.
RF CONDUCTIVE BOOT OPTION.

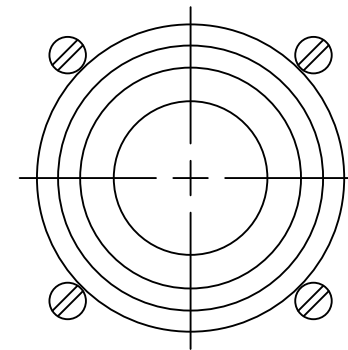
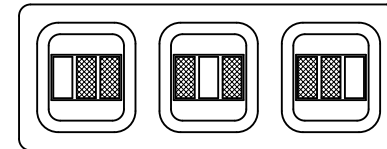
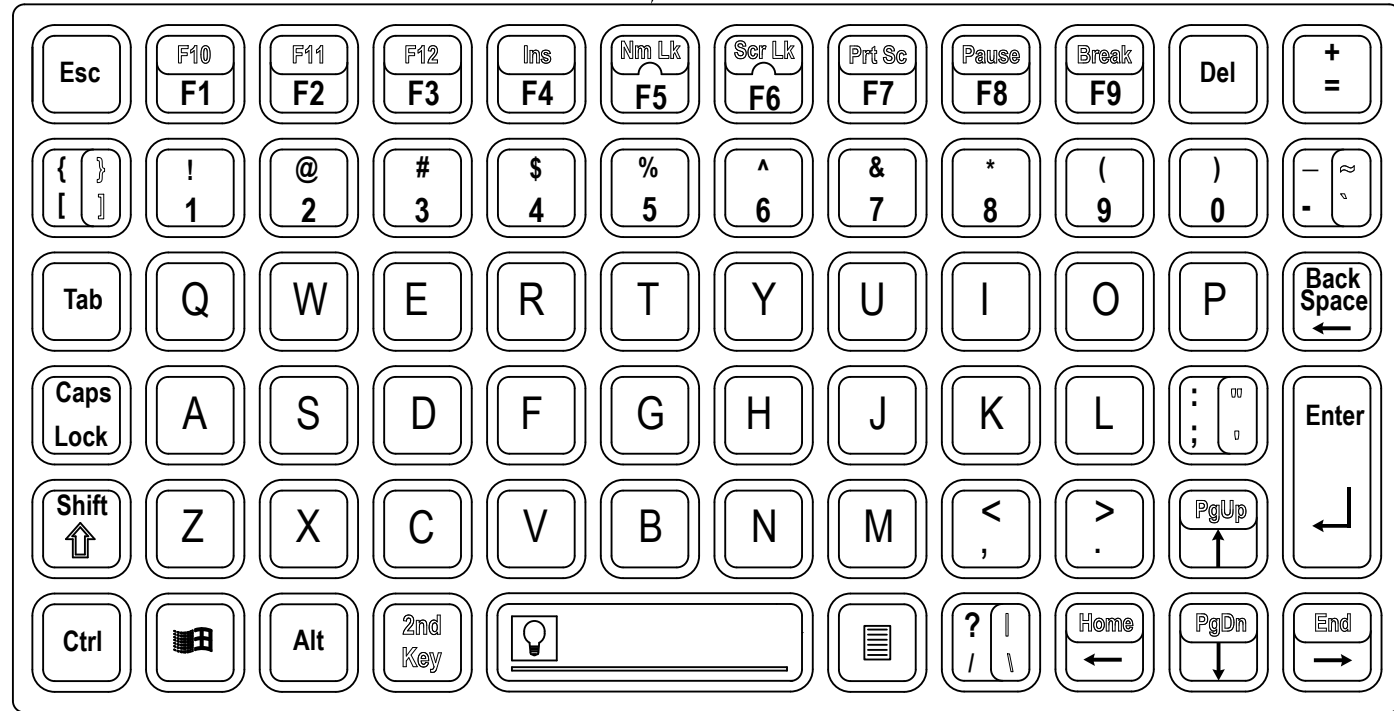
SEALD SILICONE ELASTOMER KEYBOARDS WITH SYN-PROOF (TM) COATING. BACKLIT MODEL HAS BLACK ELASTOMER.

10.63 SYM FOR #6-32 MOUNTING HOLES

11.27

1.73

CTI
ELECTRONICS



6.13

SHOWN WITH N5" KNOB OPTION

09

.13 THK. FOOT (X4) FOAM RUBBER

SILICONE GASKET

.88

φ

.88

1.35 MAX

#6-32 THREADED MOUNTING HOLES. PROVIDED FOR SECURING KEYBOARD TO WORKING SURFACE

1.16

NOTE
ALL DIMENSIONS ARE IN INCHES

ORDERING INFORMATION:

4 ALUMINUM ENCLOSURE, PAINTED BLACK
6 STAINLESS STEEL ENCLOSURE

U USB INTERFACE (9.5 FT. DEFAULT CABLE LENGTH)

K I F 6 U 4 N 5 -

BR BACKLIT RED OPTION
BG BACKLIT GREEN OPTION

[W1] THRU [W5] INDICATES OPTIONAL BULKHEAD CONNECTOR,
1 THRU 5 FOOT CABLE LENGTH IN 1 FT. INCREMENTS.

G MAXIMUM COMPRESSION SPRING OPTION.
RF CONDUCTIVE BOOT OPTION.

CTI ELECTRONICS CORPORATION

WWW.CTIELECTRONICS.COM

NEMA 4/4X (IP66) INDUSTRIAL KEYBOARD
WITH INDUSTRIAL MOUSE
KIF6000-BX BACKLIT SERIES

761814

SHEET 2 OF 2

REV. A

DRAWN BY
PSB

APPROVED

DATE 05-05-11