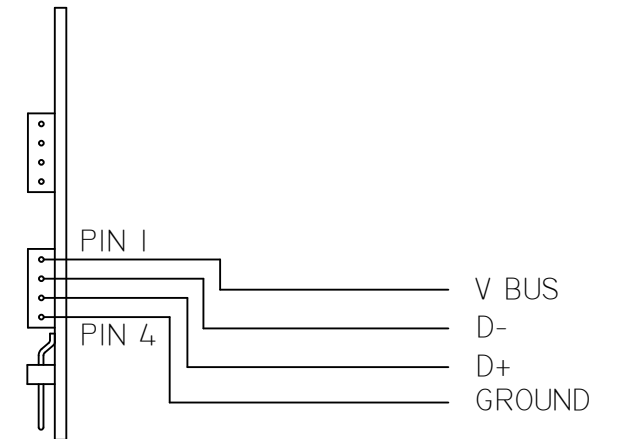
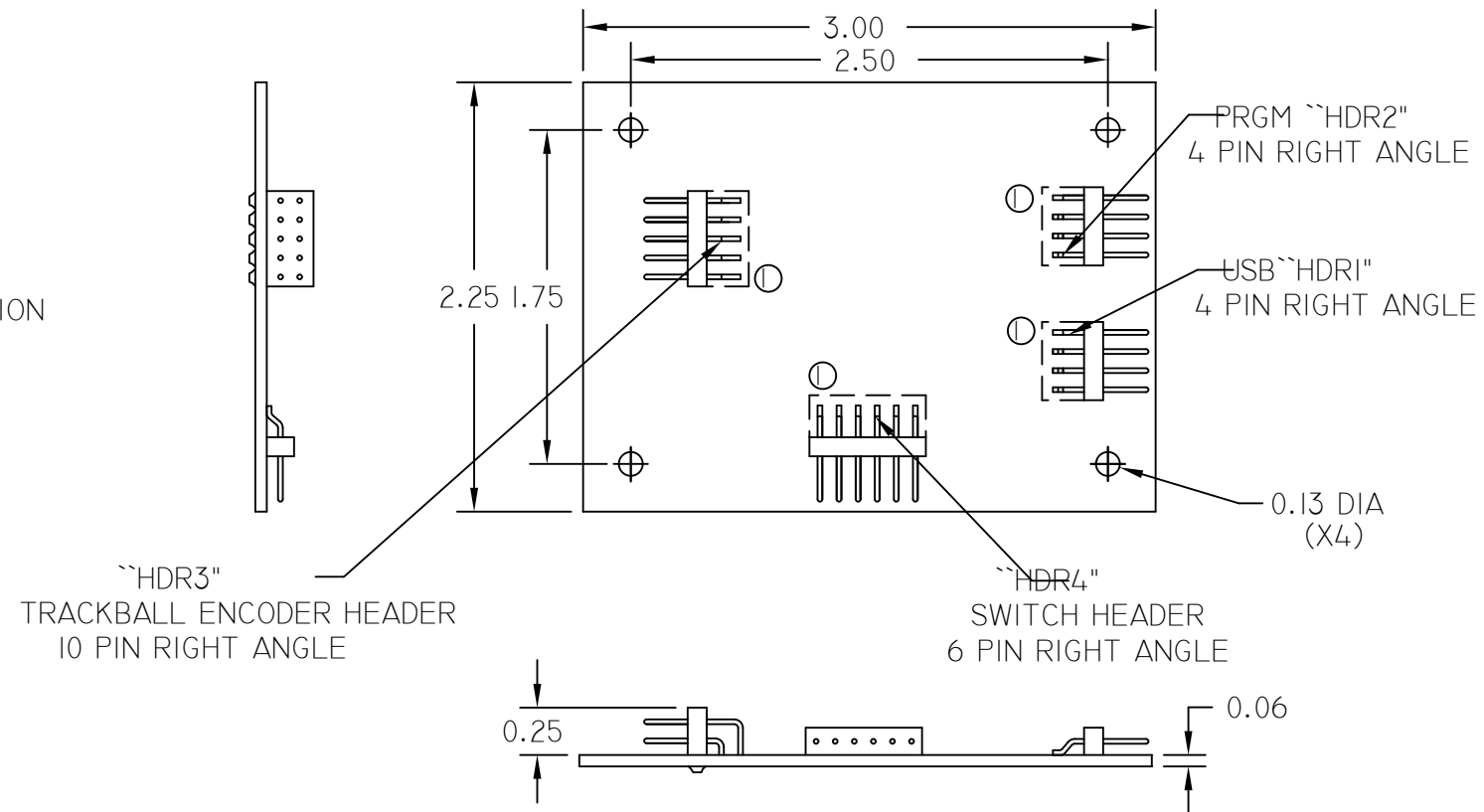


“HDR4” SWITCH HEADER

- PIN 1 LEFT SWITCH
- PIN 2 MIDDLE SWITCH
- PIN 3 RIGHT SWITCH
- PIN 4 SWITCH COMMON
- PIN 5 LED CATHODE (-) OPTION
- PIN 6 LED ANODE (+) OPTION



ORDERING INFORMATION:

C 6 0 U   - C 8 2 -

OPTIONAL USB CABLE LENGTH DIMENSION IN 0.5 FOOT INCREMENTS  
(MINIMUM LENGTH IS 1.0 FT, MAXIMUM LENGTH IS 9.5 FT.)  
BLANK  INDICATES NO CABLE

Z CONFORMAL COATING OPTION

0 = ENCODER COUNT X1 (DEFAULT)  
2 = ENCODER COUNT X2  
4 = ENCODER COUNT X4

|   |               |
|---|---------------|
| <p><b>CTI ELECTRONICS</b><br/>WWW.CTIELECTRONICS.COM</p>                                    |               |
| <p>USB INTERFACE PCB.<br/>FOR OEM INDUSTRIAL TRACKBALL</p>                                  |               |
| 761817  | DATE 04-04-18 |
| APPROVED  | DRAWN BY PSB  |
| <p>SHEET 1 OF 1</p>   |               |
| <p>COPYRIGHT 2018 CTI ELECTRONICS .<br/>SPECIFICATIONS SUBJECT TO CHANGE WITHOUT NOTICE</p> |               |