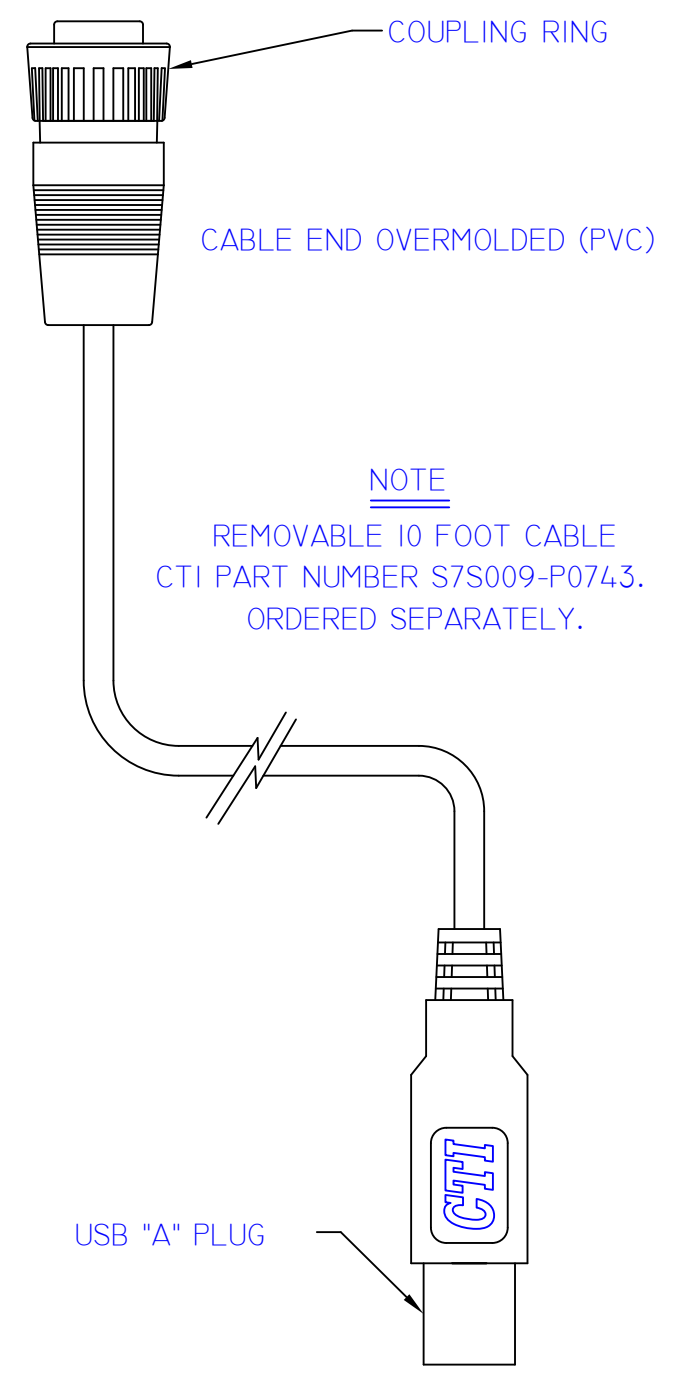
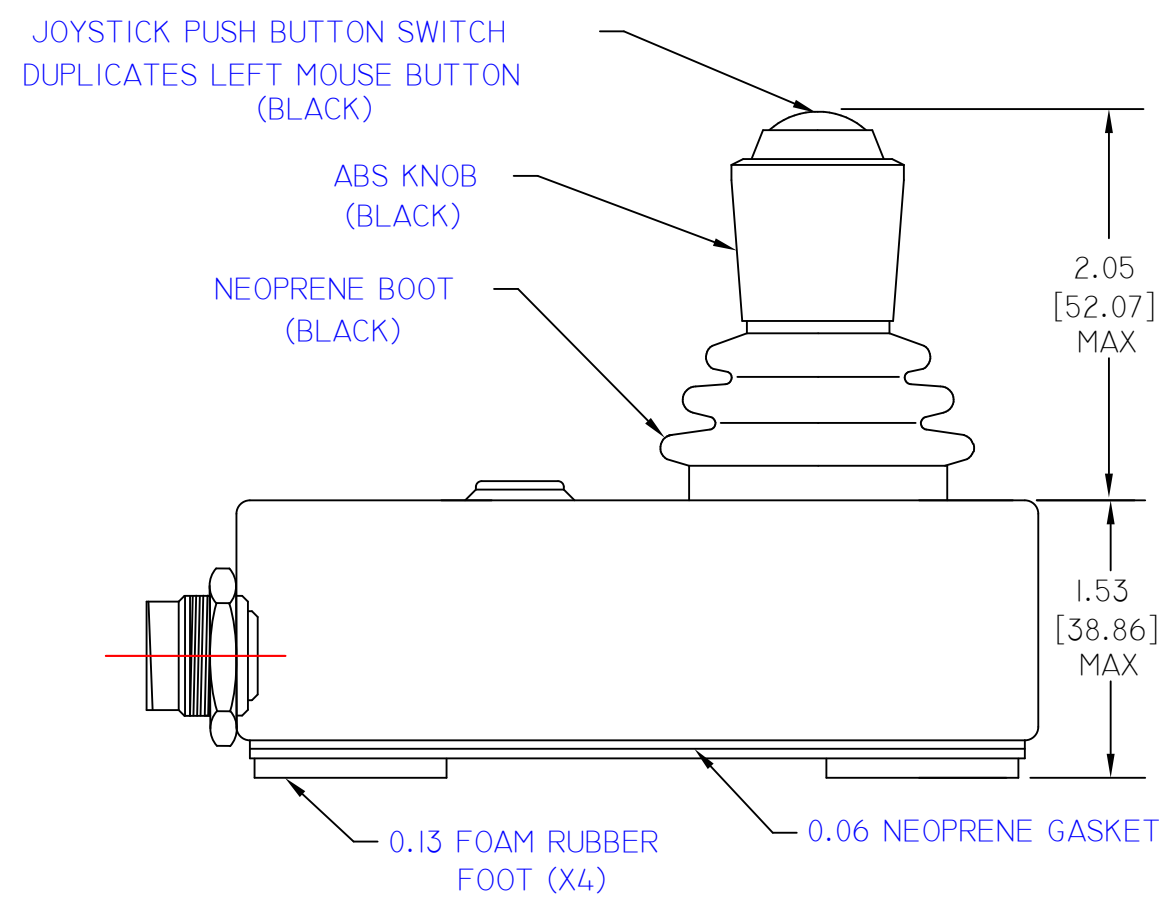
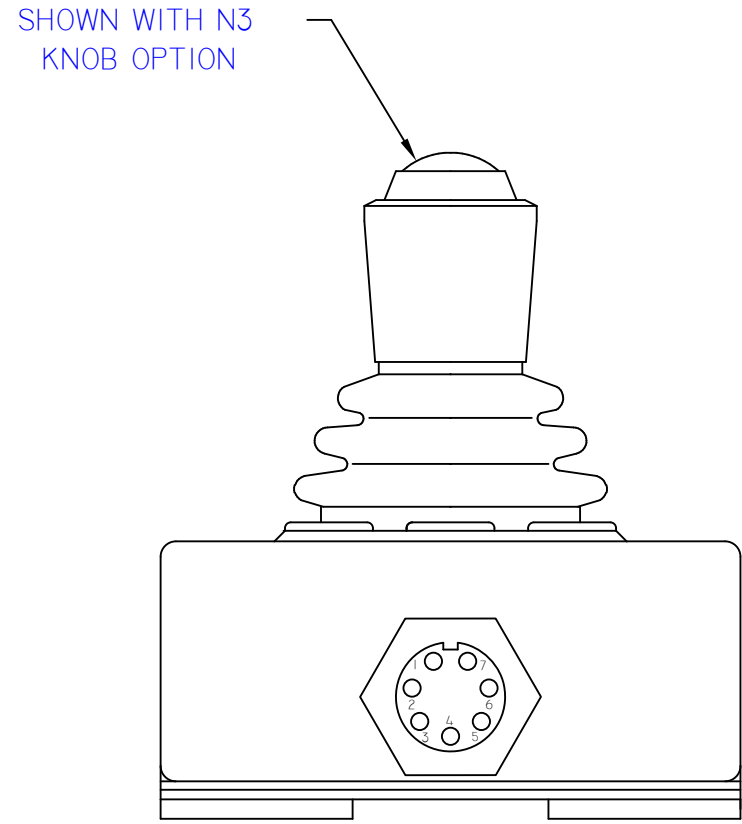
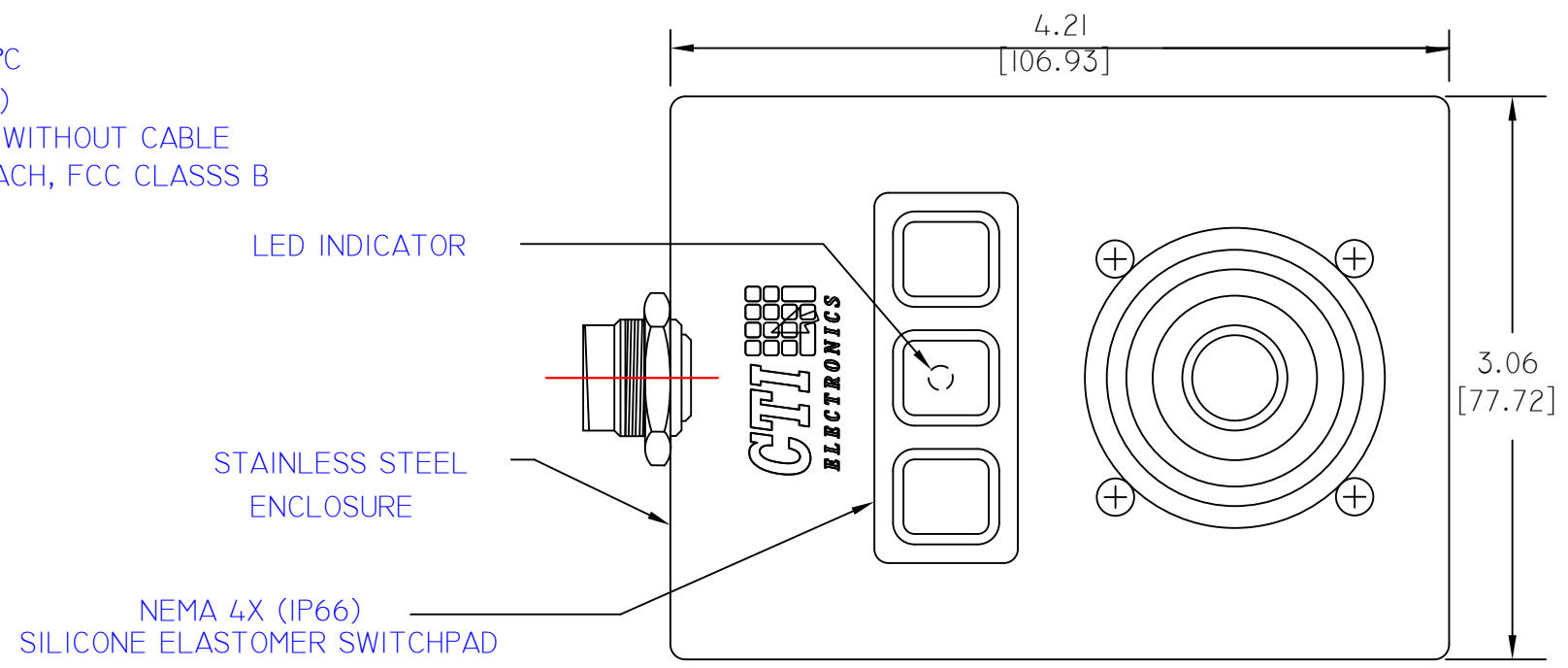


SPECIFICATIONS

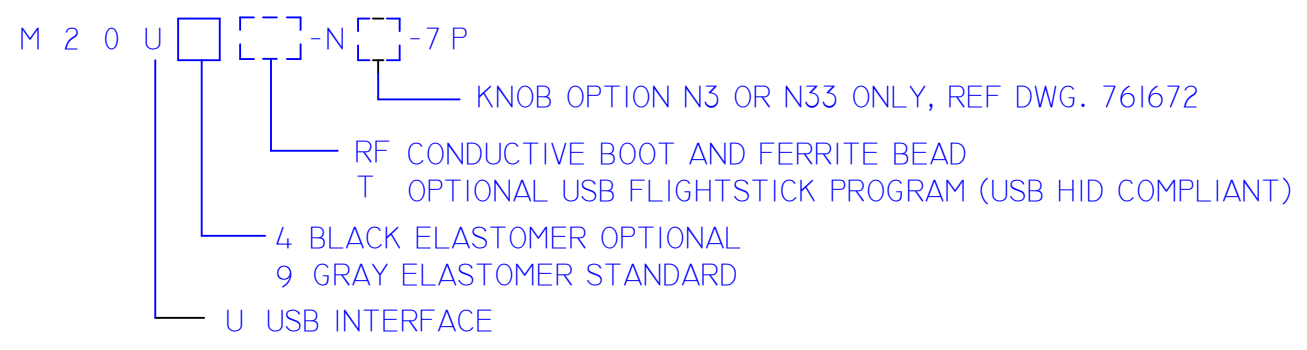
TEMPERATURE: -40°C TO +80°C
 SEALING: NEMA 4 (IP66)
 WEIGHT: 14.3 OZ 405g WITHOUT CABLE
 STANDARD: CE, RoHS, REACH, FCC CLASS B

“LEGACY”



NOTE
 REMOVABLE 10 FOOT CABLE
 CTI PART NUMBER S7S009-P0743.
 ORDERED SEPARATELY.

ORDERING INFORMATION:



NOTE: DIMENSIONS ARE IN INCHES [MILLIMETERS]

CTI ELECTRONICS WWW.CTIELECTRONICS.COM	
NEMA 4X (IP66) HAND HELD INDUSTRIAL MOUSE™ OR USB FLIGHTSTICK M20UX-NX-7P SERIES	
761818	DATE 01-17-18 DRAWN BY PSB
APPROVED	SHEET 1 OF 1
COPYRIGHT 2018 CTI ELECTRONICS SPECIFICATIONS SUBJECT TO CHANGE WITHOUT NOTICE	