

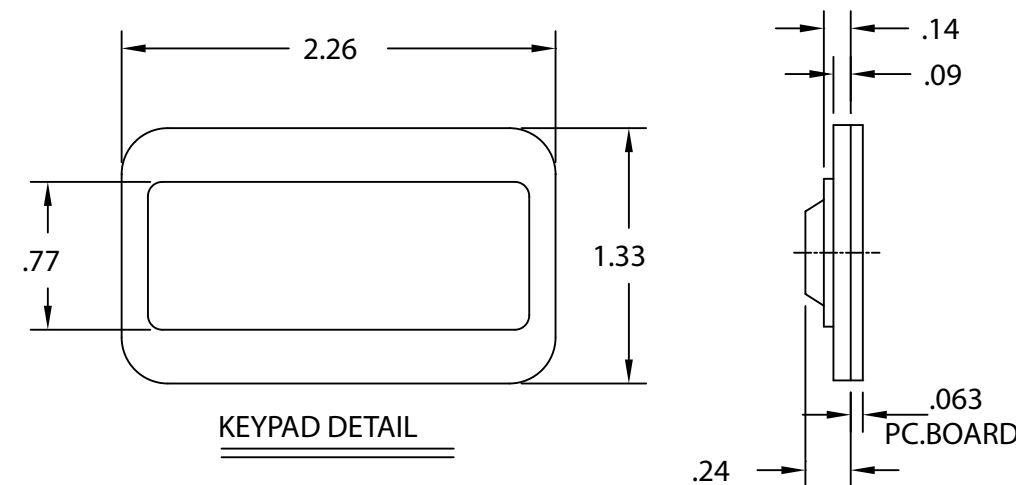
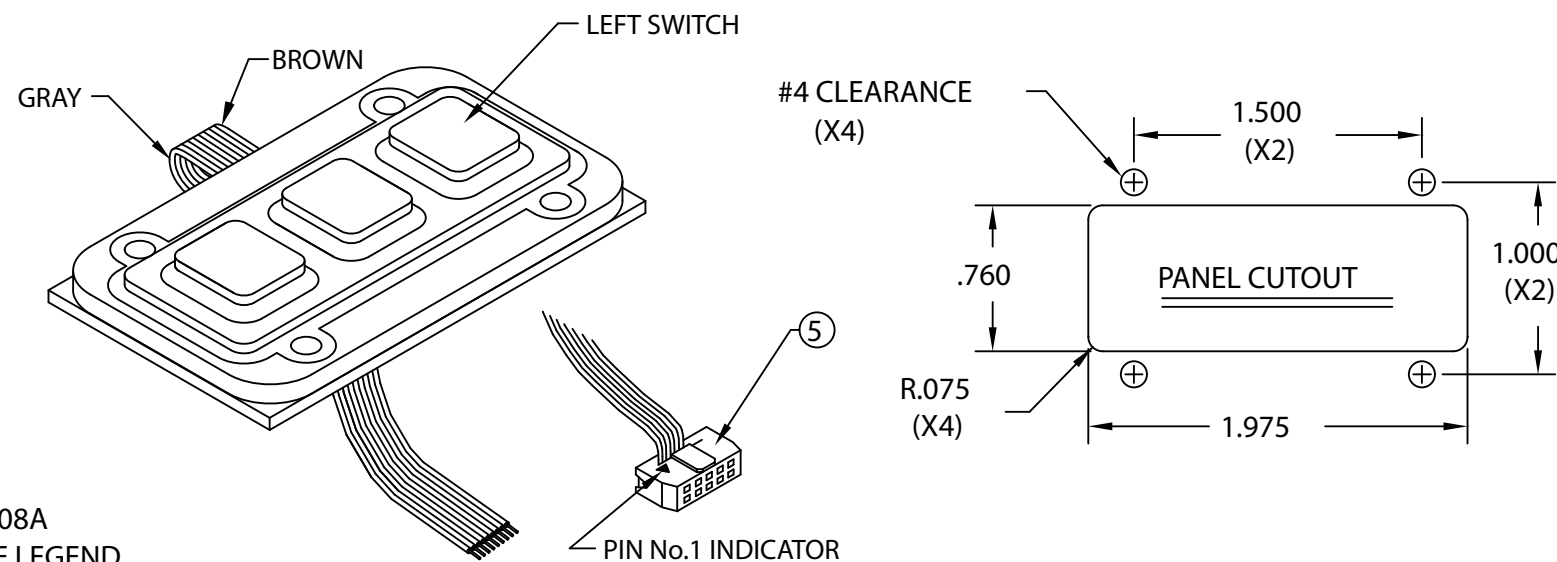
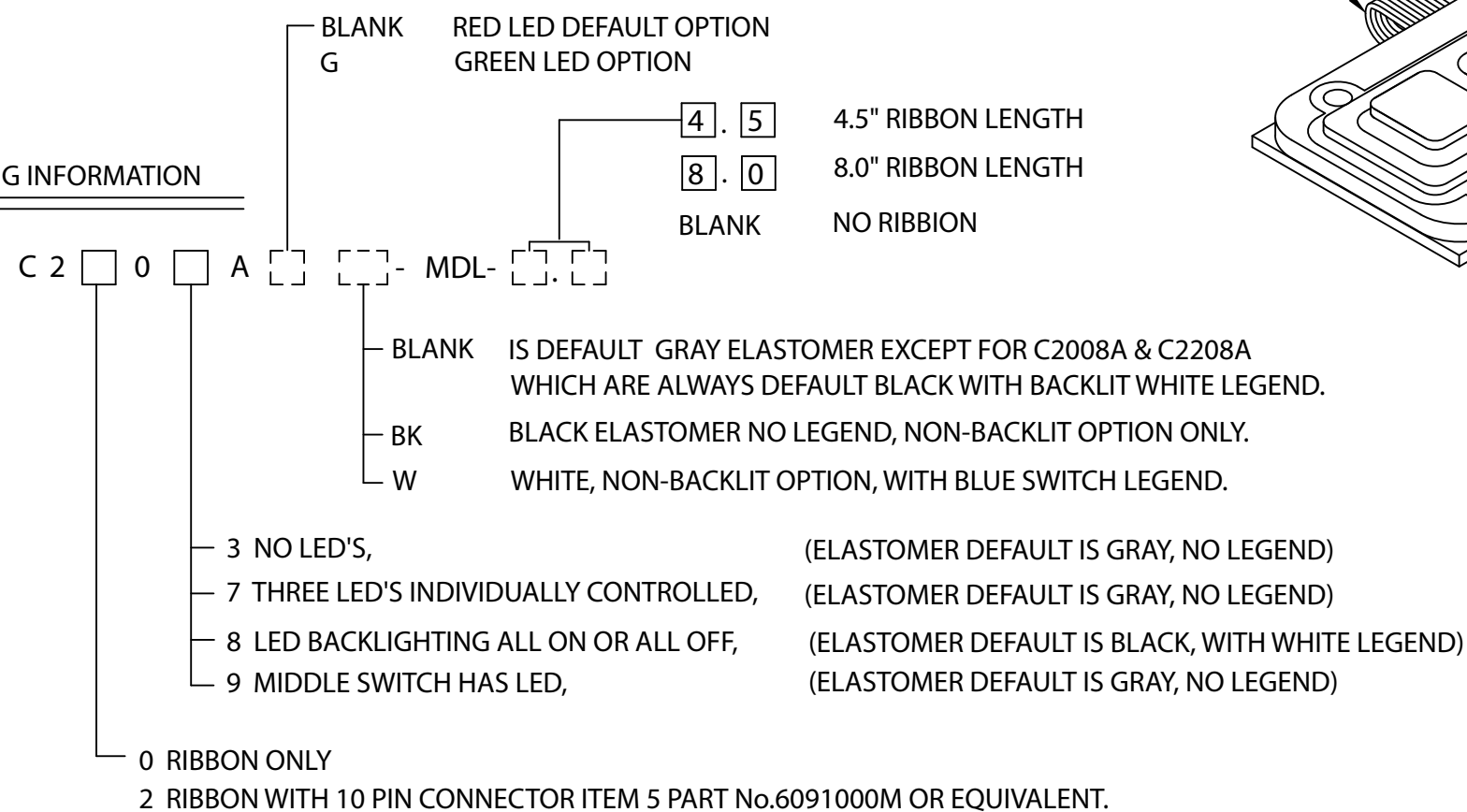
C2003A & C2203A	
COLOR	FUNCTION
BROWN	LEFT SWITCH
RED	MIDDLE SWITCH
ORANGE	RIGHT SWITCH
YELLOW	SWITCH COMMON
GREEN	C2203A ONLY, NON-FUNCTIONAL
BLUE	C2203A ONLY, NON-FUNCTIONAL

C2007A & C2207A	
COLOR	FUNCTION
BROWN	LEFT SWITCH
RED	MIDDLE SWITCH
ORANGE	RIGHT SWITCH
YELLOW	SWITCH COMMON
GREEN	MIDDLE LED (-)
BLUE	LED'S +5V ANODE
VIOLET	RIGHT LED (-)
GRAY	LEFT LED (-)

C2008A & C2208A	
COLOR	FUNCTION
BROWN	LEFT SWITCH
RED	MIDDLE SWITCH
ORANGE	RIGHT SWITCH
YELLOW	SWITCH COMMON
GREEN	LED'S (-)
BLUE	LED'S +5V ANODE

C2009A & C2209A	
COLOR	FUNCTION
BROWN	LEFT SWITCH
RED	MIDDLE SWITCH
ORANGE	RIGHT SWITCH
YELLOW	SWITCH COMMON
GREEN	MIDDLE LED (-)
BLUE	LED +5V ANODE

**ORDERING INFORMATION**



**NOTES**

1. GOLD CONTACTS RATED FOR 5 VOLTS, LOGIC LEVEL CURRENT ONLY.
2. BACKLIT VERSIONS C2008A & C2208A. REQUIRE EXTERNAL CURRENT LIMITING RESISTOR, (LIMIT 10mA TYPICAL).

SPECIFICATIONS SUBJECT TO CHANGE WITHOUT NOTICE.

<b>CTI ELECTRONICS CORPORATION</b> WWW.CTIELECTRONICS.COM	
NEMA 4 (IP66) <b>C2003A THREE BUTTON          ELASTOMER SWITCH SERIES</b>	
<b>761823</b>	REV. B
APPROVED	SHEET 1 OF 1 DATE 12-03-13 DRAWN BY PSB