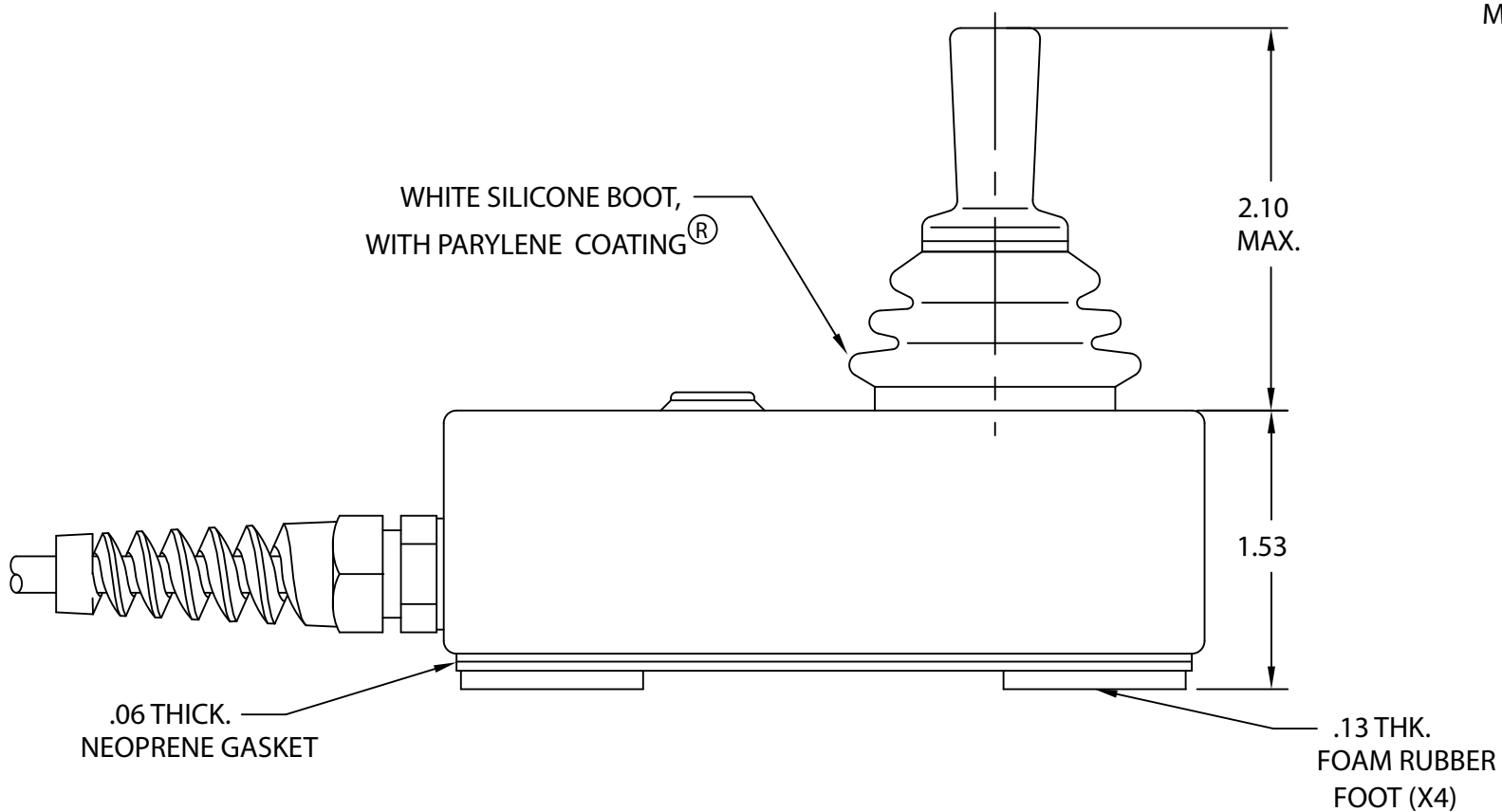
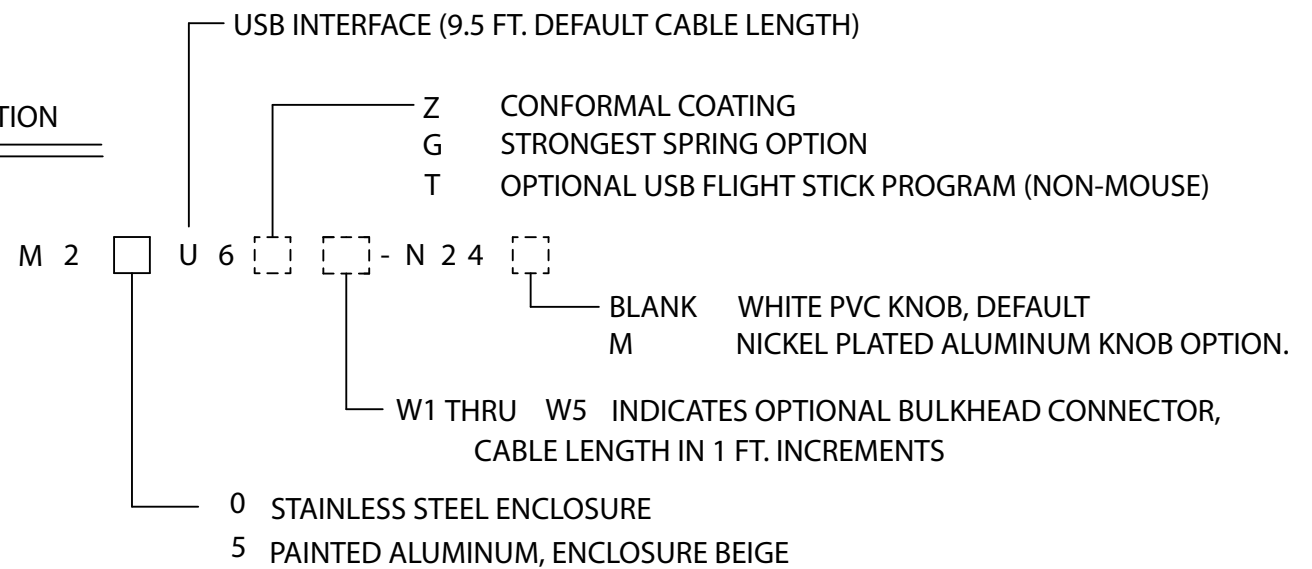


STRAIN RELIEF

CTI
ELECTRONICS

NEMA 4X (1P66)
WHITE SILICONE ELASTOMER
BLUE LEGENDS, PARYLENE COATING

ORDERING INFORMATION



SPECIFICATIONS SUBJECT TO CHANGE WITHOUT NOTICE.

<p>CTI <u>ELECTRONICS CORPORATION</u> WWW.CTIELECTRONICS.COM</p>		
<p>M2XU6-N24 SERIES NEMA 4X (IP66) MEDICAL / CLEANROOM MOUSE OR USB FLIGHTSTICK</p>		
<p>761829</p>		<p>REV. A</p>
<p>APPROVED</p>	<p>SHEET 1 OF 1 DATE 12-18-13</p>	<p>DRAWN BY PSB</p>