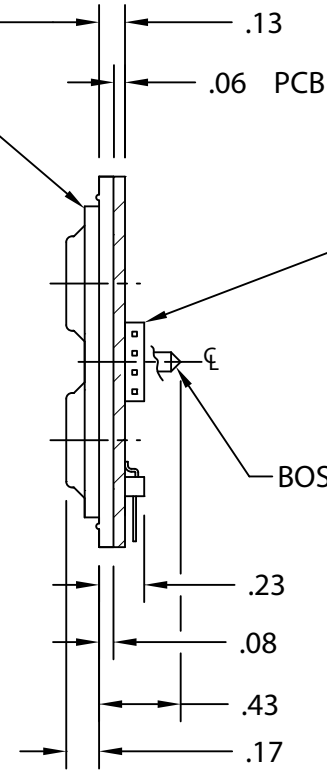
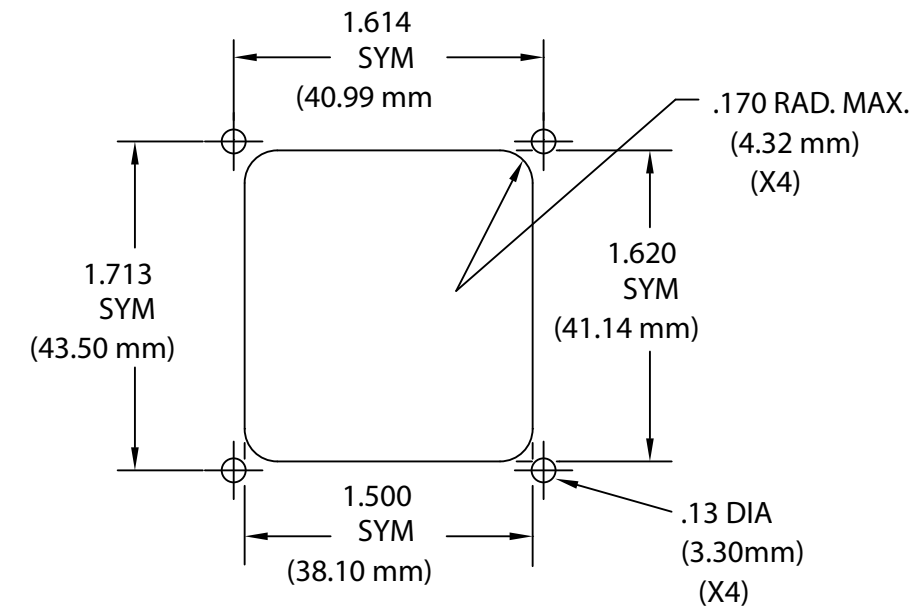
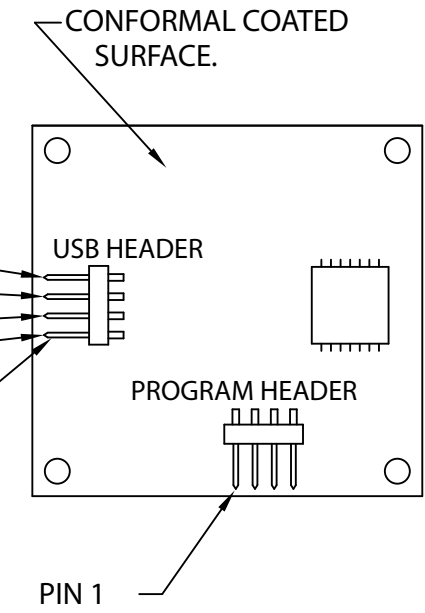


MOUNTING SURFACE
 MOLDED SILICONE KEYPAD,
 BLACK WITH SYN-PROOF™ COATING



USB HDR. FUNCTIONS

COMMON — BLACK
 D+ — GREEN
 D- — WHITE
 +5V — RED



MOUNTING DETAIL

SPECIFICATIONS:

TEMPERATURE RANGE: -40°C TO +80°C
 SEALING RATING: NEMA 4 (IP66), PCB HAS CONFORMAL COATING
 SHOCK: 50G 11 MSEC. PER MIL-STD-810
 WEIGHT: ASSEMBLY, LESS CABLE, APPROX. 0.6 OZ. (18 GRAMS)
 STANDARDS: CE, ROHS AND FCC CLASS B COMPLIANT
 POWER: 10mA @ 5V TYPICAL NON-BACKLIT

NOTES:

1. ALL KEY SWITCHES HAVE HARD GOLD PLATED CONTACTS, RATED UP TO 10MM ACTIVATIONS.
2. OUTPUT CONNECTOR HAS GOLD PLATED .025" SQUARE PINS ON 0.1" CENTERS
3. THIS PRODUCT CONTAINS STATIC SENSITIVE COMPONENTS.

ORDERING INFORMATION:

USB INTERFACE
 KP 40 U [] [] [] []
 4= LEGEND: F13, F14, F15, F16
 5= LEGEND: F17, F18, F19, F20
 6= LEGEND: F21, F22, F23, F24

OPTIONAL CABLE LENGTH DIMENSION.
 MINIMUM LENGTH IS 1.0 FT, MAXIMUM LENGTH IS 9.5 FT. IN 0.5 FOOT INCREMENTS
 BLANK INDICATES NO CABLE.

BR BACKLIT RED
 BG BACKLIT GREEN
 BLANK NON BACKLIT

SPECIFICATIONS SUBJECT TO CHANGE WITHOUT NOTICE

CTI ELECTRONICS CORPORATION WWW.CTIELECTRONICS.COM	
NEMA 4 (IP66) OEM INDUSTRIAL 4 BUTTON USB KEYPAD KP4000 SERIES	
761833	DATE 10-22-14
APPROVED	DRAWN BY PSB
SHEET 1 OF 1	