

STANDARDS AND ENVIRONMENTAL SPECIFICATIONS

TEMPERATURE RANGE: -40°C TO +80°C

SEALING RATING: NEMA 4/4X (IP66), PCB HAS CONFORMAL COATING

STANDARDS: CE, ROHS AND FCC CLASS B COMPLIANT

POWER: 25mA @ 5V TYPICAL NON-BACKLIT  
100mA @ 5V MAXIMUM BACKLIT

**CTI ELECTRONICS CORPORATION**  
WWW.CTIELECTRONICS.COM

**uHMI-Pod™**  
**UNIVERSAL INDUSTRIAL JOYSTICK CONTROLLER**  
**NEMA 4X IP66, M7XUX-N84 USB SERIES**

**761836**

DATE 12-12-14

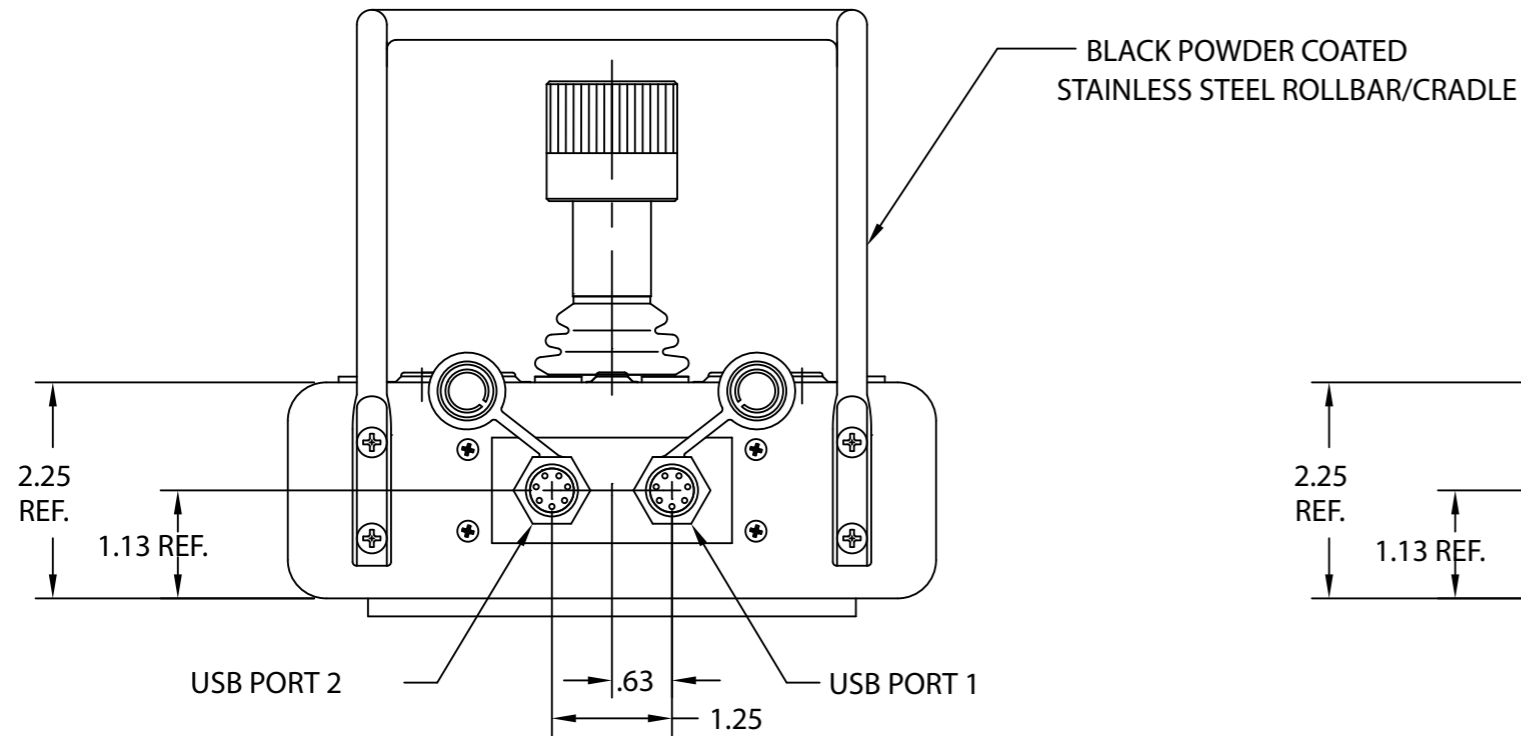
APPROVED

SHEET 1 OF 3

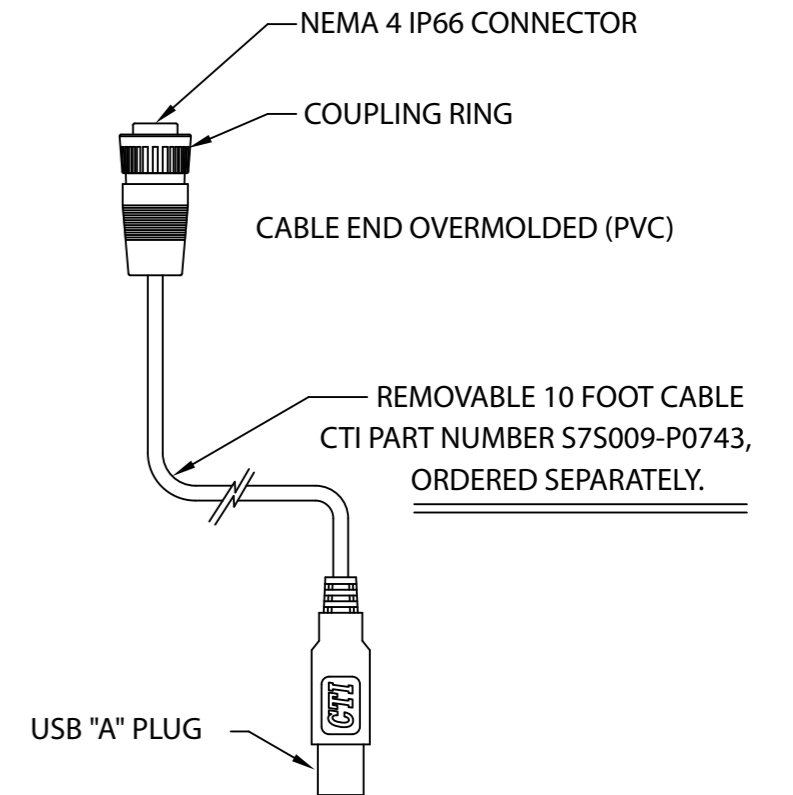
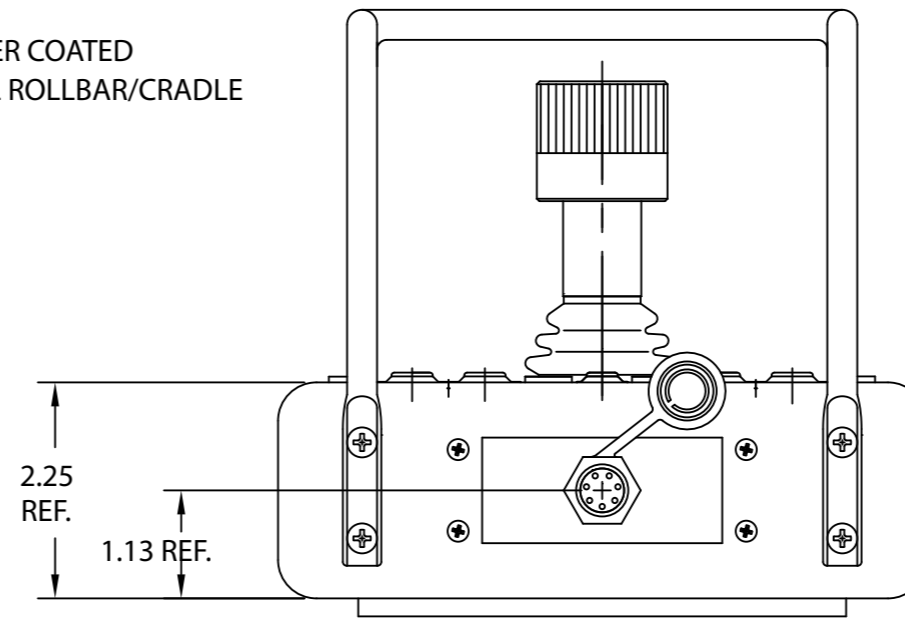
DRAWN BY PSB

COPYRIGHT CTI ELECTRONICS CORP. 2014  
SPECIFICATIONS SUBJECT TO CHANGE WITHOUT NOTICE

2 USB PORTS OPTION



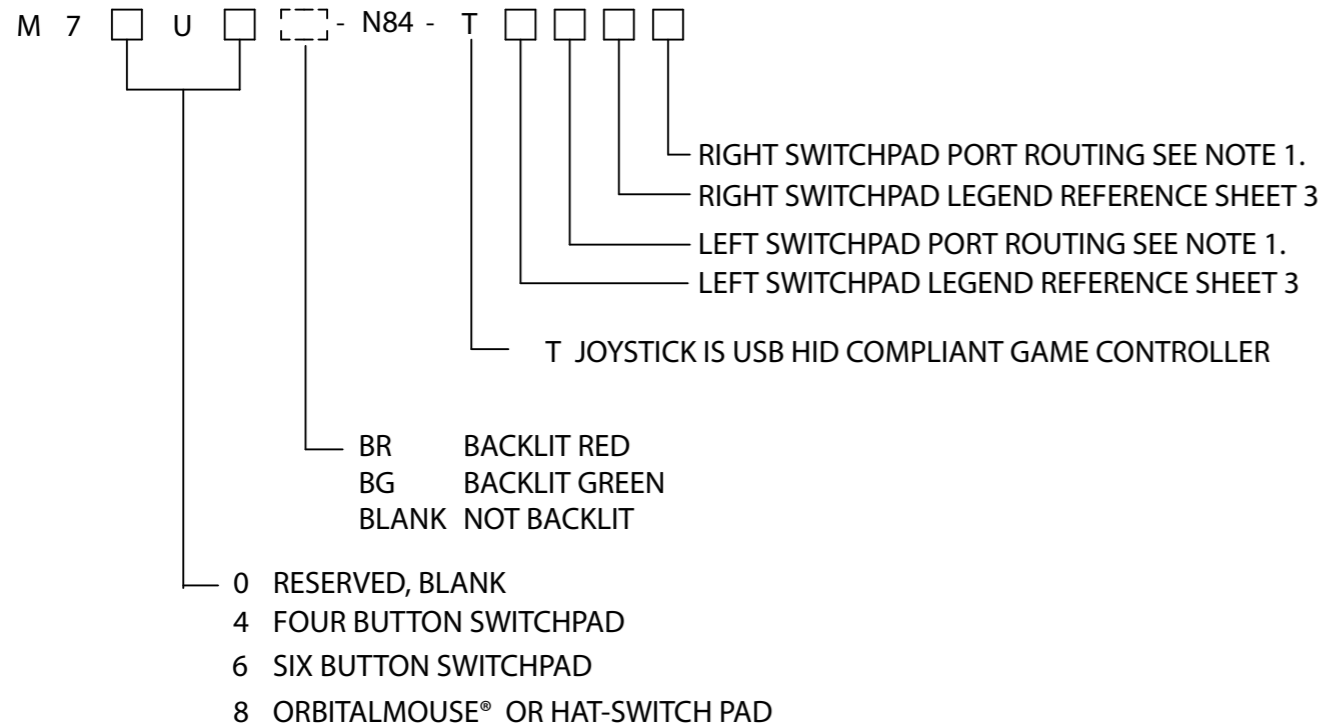
1 USB PORT OPTION



NOTES:

- 1: [1]S FOR SINGLE USB PORT OPTION. FOR TWO USB PORTS, [1] OR [2] IS THE PORT FOR SELECTED SWITCHPAD
- 2: JOYSTICK FUNCTION IS ALWAYS AVAILABLE ON PORT [1]
- 3: DIMENSIONS ARE IN INCHES.
- 4: uHMI-Pod™ AND HMI-Pod™ ARE CTI ELECTRONICS CORP. TRADEMARKS FOR A "UNIVERSAL INDUSTRIAL JOYSTICK CONTROLLER."
- 5: OPERATED UNDER WINDOWS® OS.

ORDERING INFORMATION:



**CTI** ELECTRONICS CORPORATION  
WWW.CTIELECTRONICS.COM

uHMI-Pod™  
UNIVERSAL INDUSTRIAL JOYSTICK CONTROLLER  
NEMA 4X IP66, M7XUX-N84 USB SERIES

**761836**

DATE 12-12-14

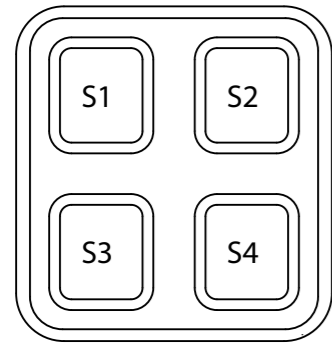
APPROVED

SHEET 2 OF 3

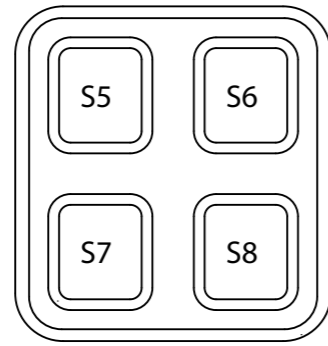
DRAWN BY PSB

COPYRIGHT CTI ELECTRONICS CORP. 2014  
SPECIFICATIONS SUBJECT TO CHANGE WITHOUT NOTICE

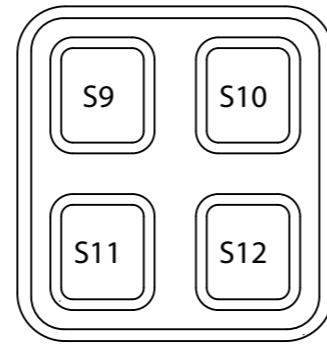
FOUR BUTTON SWITCHPAD OPTIONS



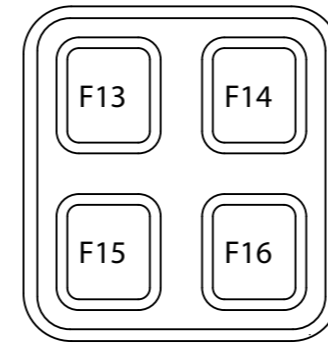
OPTION #1



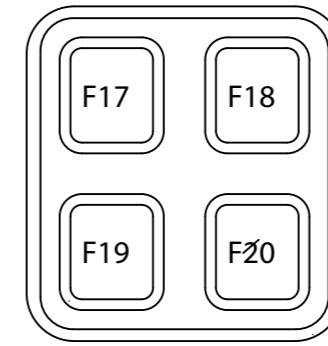
OPTION #2



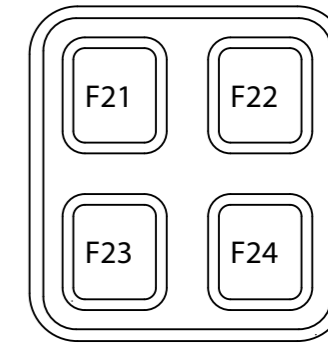
OPTION #3



OPTION #4

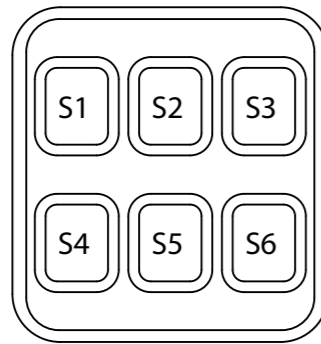


OPTION #5

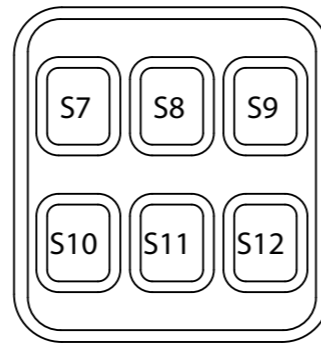


OPTION #6

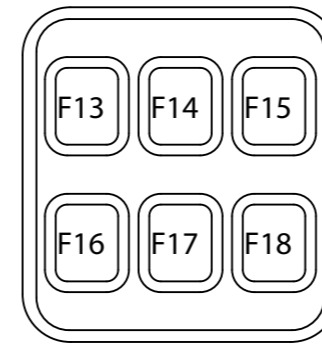
SIX BUTTON SWITCHPAD OPTIONS



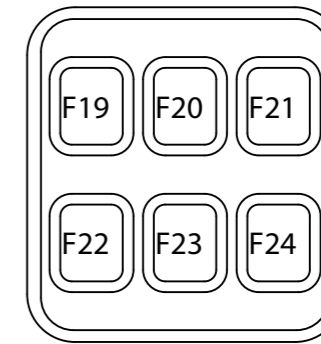
OPTION #1



OPTION #3

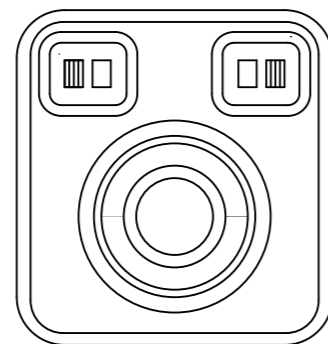


OPTION #5

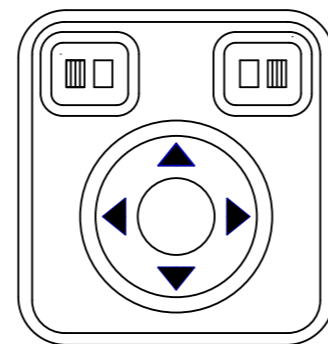


OPTION #6

ORBITALMOUSE® OR HAT-SWITCH OPTIONS



OPTION #0



OPTION #7

**CTI** ELECTRONICS CORPORATION  
[WWW.CTIELECTRONICS.COM](http://WWW.CTIELECTRONICS.COM)

**uHMI-Pod™**  
**UNIVERSAL INDUSTRIAL JOYSTICK CONTROLLER**  
**NEMA 4X IP66, M7XUX-N84 USB SERIES**

**761836**

DATE 12-12-14

APPROVED

SHEET 3 OF 3

DRAWN BY PSB

COPYRIGHT CTI ELECTRONICS CORP. 2014  
 SPECIFICATIONS SUBJECT TO CHANGE WITHOUT NOTICE