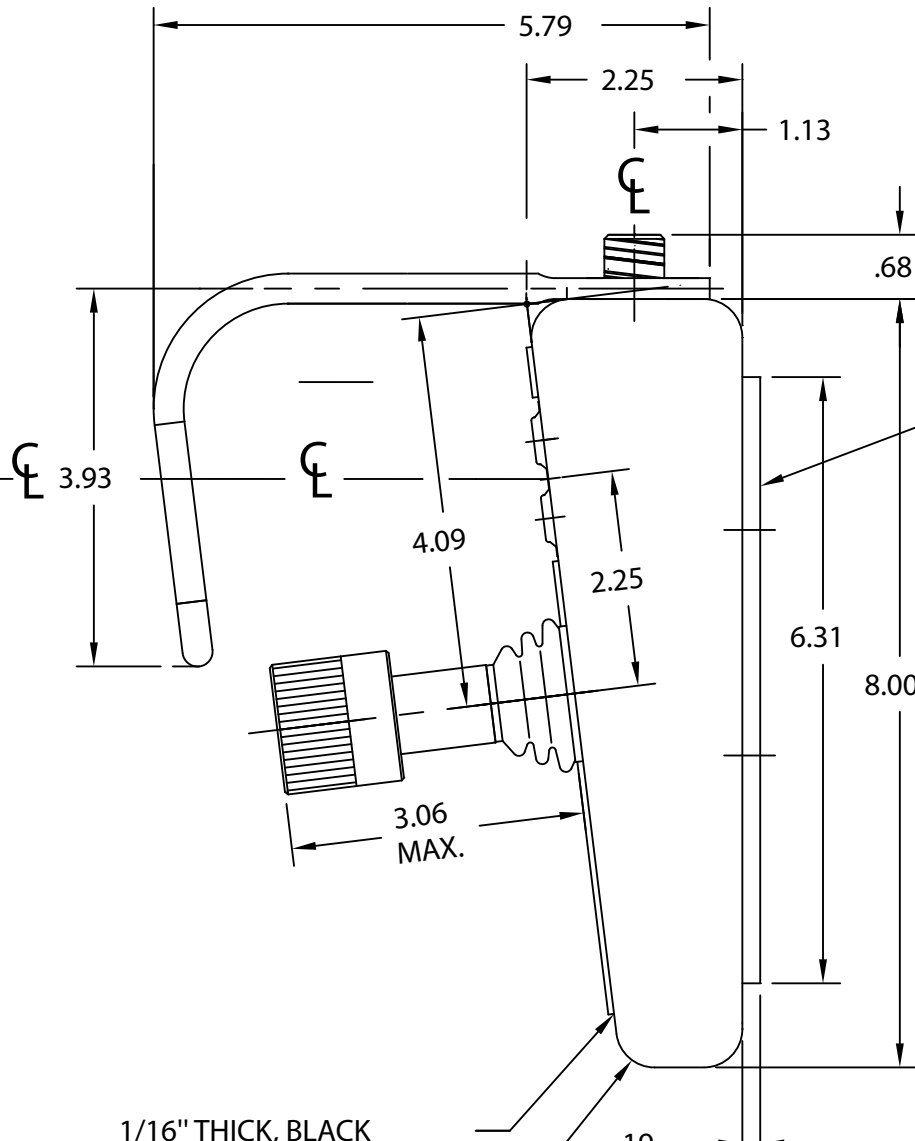


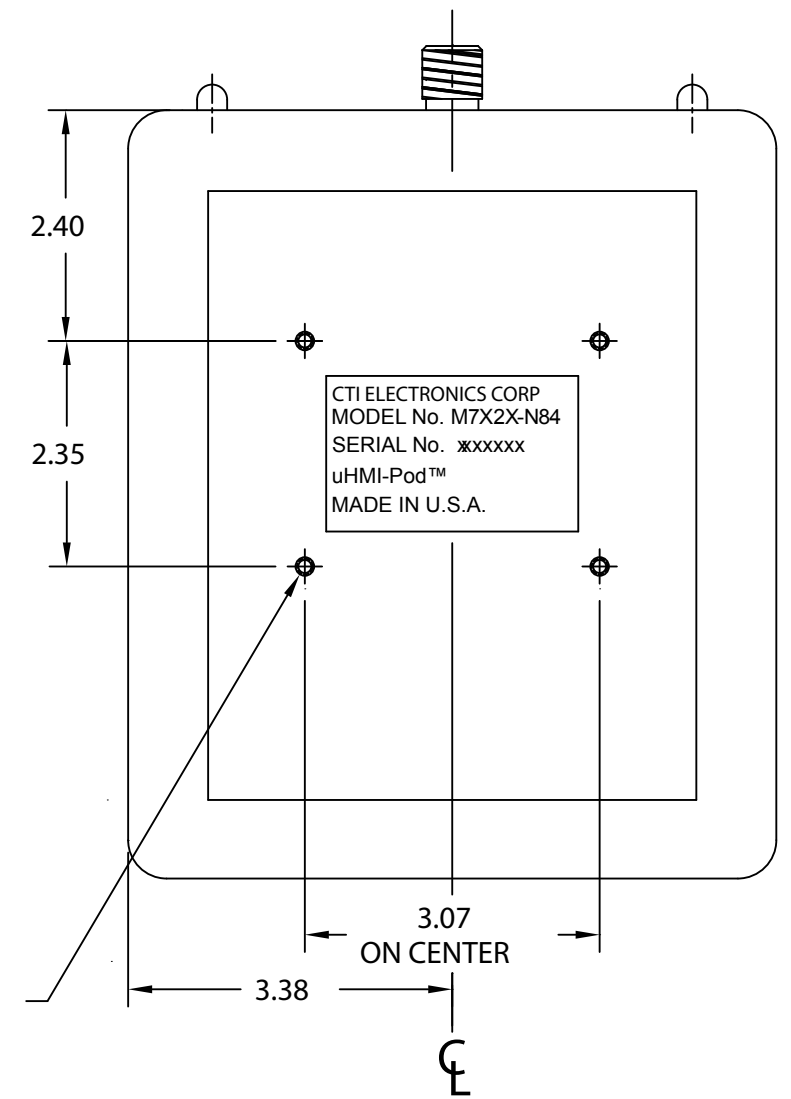
ENCLOSURE IS ALUMINUM, WITH IRIDITE PROTECTIVE COATING AND BLACK POWER COATED FINISH



1/16" THICK, BLACK CLOSED-CELL FOAM HANDREST PAD

3/16" THICK, BLACK CLOSED-CELL FOAM BASEPAD

SEALED 8-32 THREADED MOUNTING HOLES (4 PLACES)
 MAXIMUM LENGTH OF SCREW ENGAGEMENT .50
 MINIMUM LENGTH OF SCREW ENGAGEMENT .31
 MEASURED FROM MOUNTING SURFACE



BOTTOM MOUNTING DETAIL

CTI ELECTRONICS CORP
 MODEL No. M7X2X-N84
 SERIAL No. xxxxxx
 uHMI-Pod™
 MADE IN U.S.A.

STANDARDS SPECIFICATIONS

TEMPERATURE RANGE: -40°C TO +80°C
 ENVIRONMENTAL RATING: NEMA 4X (IP66), PCB HAS CONFORMAL COATING
 STANDARDS: CE, RoHS AND FCC CLASS B COMPLIANT
 POWER: 100mA @ 5V TYPICAL NON-BACKLIT WITH TERMINATION RESISTOR =100 Ohms
 175mA @ 5V TYPICAL BACKLIT OPTION.
 WEIGHT: 2.LBS 1.OZ APPROXIMATE. (935.5 gms)

CTI ELECTRONICS CORPORATION
 WWW.CTIELECTRONICS.COM

uHMI-Pod™ NEMA 4X IP66
 UNIVERSAL INDUSTRIAL JOYSTICK CONTROLLER
 M7X2X-N84 RS422/RS485 SERIES

761837

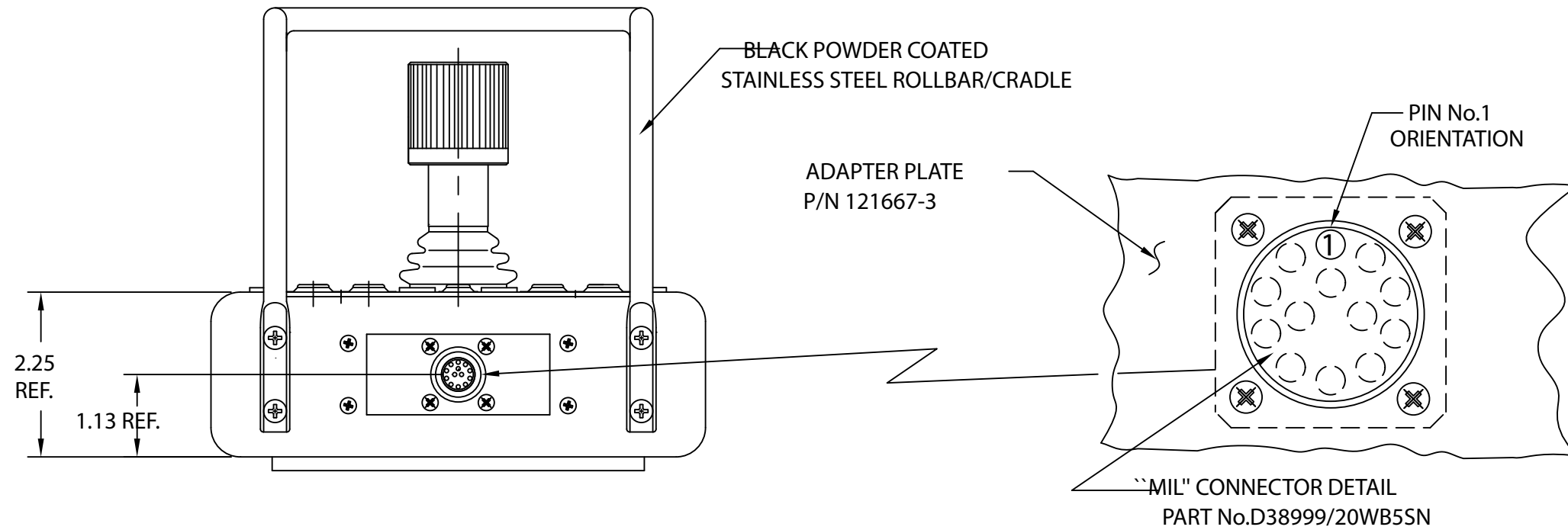
DATE 03-04-15

APPROVED

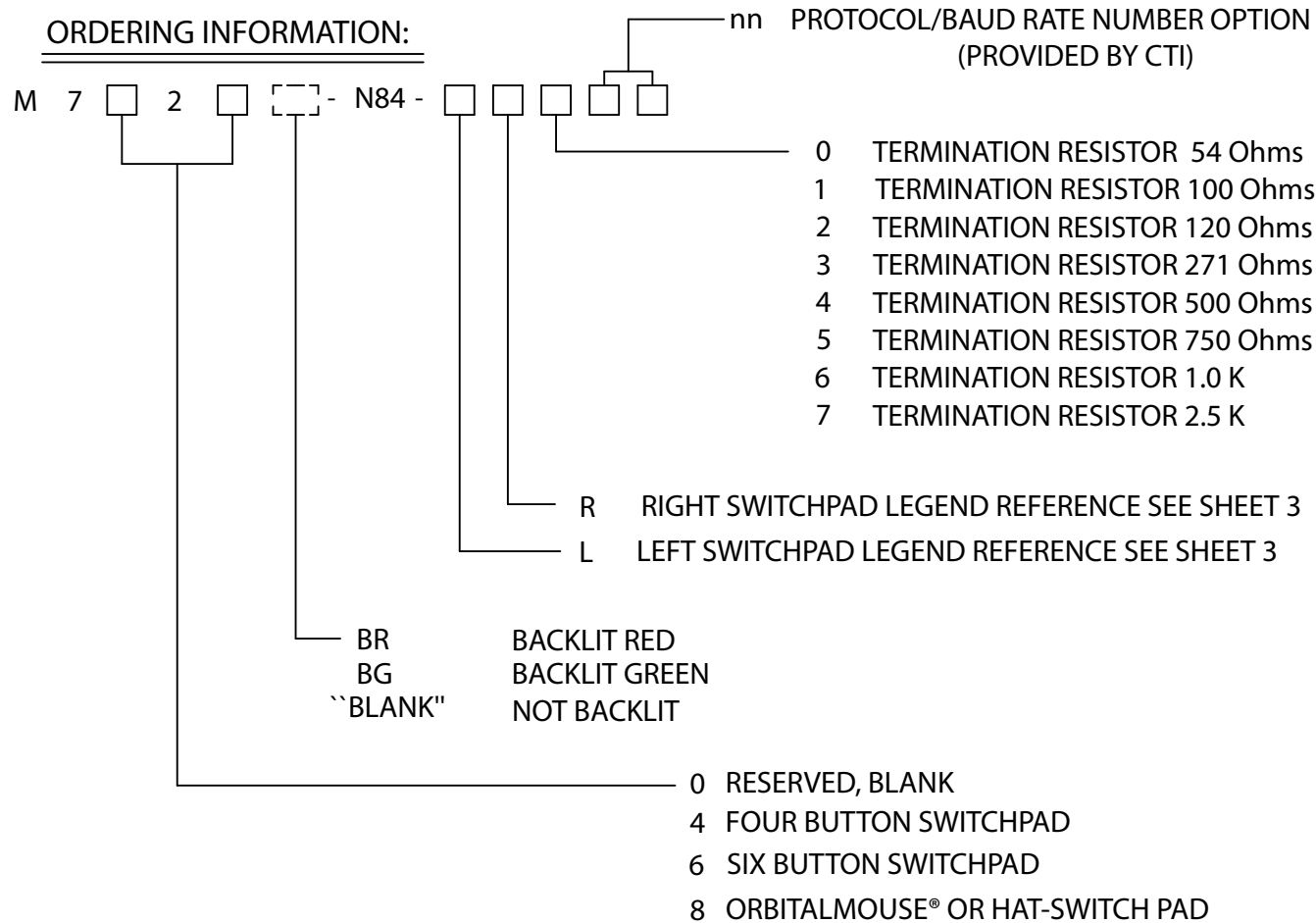
SHEET 1 OF 3

DRAWN BY PSB

COPYRIGHT CTI ELECTRONICS CORP. 2015
 SPECIFICATIONS SUBJECT TO CHANGE WITHOUT NOTICE



PIN NO.	FUNCTION
1	SHIELD
2	TXD
3	$\overline{\text{TXD}}$
4	+5V
5	COMMON
6	RXD
7	$\overline{\text{RXD}}$
8	+5V
9	COMMON
10	N/C
11	N/C
12	N/C
13	N/C

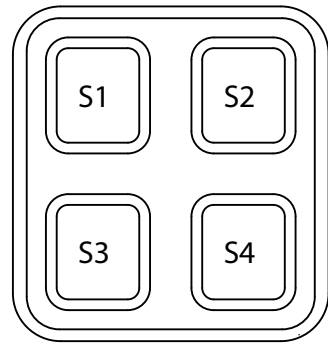


NOTES:

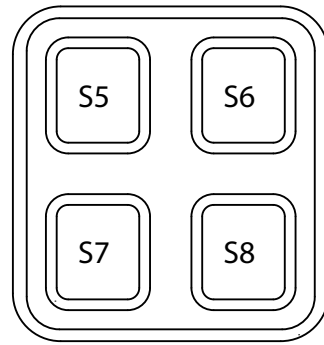
- DIMENSIONS ARE IN INCHES.
- uHMI-Pod™ AND HMI-Pod™ ARE CTI ELECTRONICS CORP. TRADEMARKS FOR A "UNIVERSAL INDUSTRIAL JOYSTICK CONTROLLER."
- TERMINATION RESISTOR IS ±5% AND SHOULD MATCH RESISTOR AT COMPUTER END. FOR SHORT CABLE LENGTHS A HIGHER VALUE THEN THE STANDARD 100 Ohms IS RECOMMENDED TO REDUCE POWER DRAW, AS LONG AS IT MATCHES AT BOTH ENDS.

CTI ELECTRONICS CORPORATION WWW.CTIELECTRONICS.COM	
uHMI-Pod™ NEMA 4X IP66 UNIVERSAL INDUSTRIAL JOYSTICK CONTROLLER M7X2X-N84 RS422/RS485 SERIES	
761837	DATE 03-04-15
APPROVED	DRAWN BY PSB
SHEET 2 OF 3	
COPYRIGHT CTI ELECTRONICS CORP. 2015 SPECIFICATIONS SUBJECT TO CHANGE WITHOUT NOTICE	

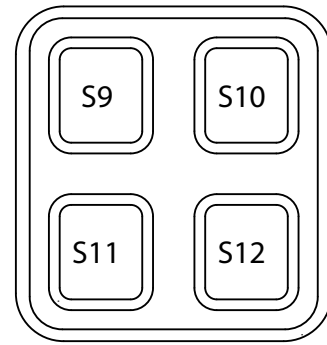
FOUR BUTTON SWITCHPAD OPTIONS



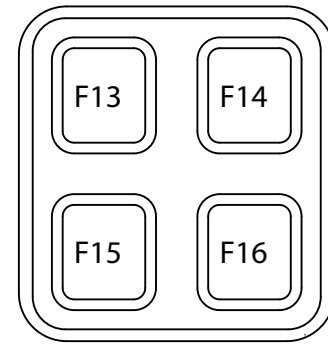
OPTION #1



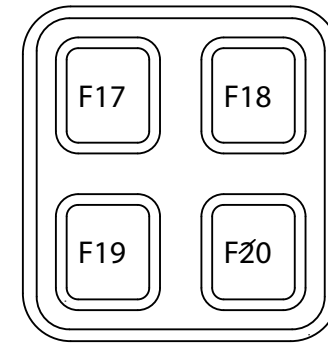
OPTION #2



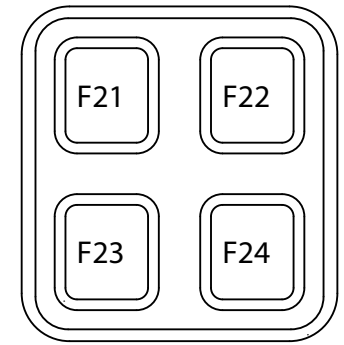
OPTION #3



OPTION #4

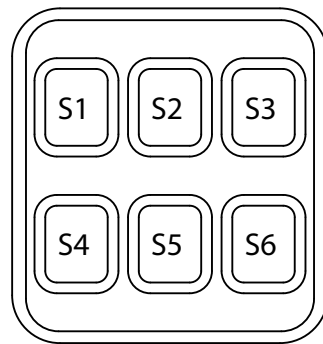


OPTION #5

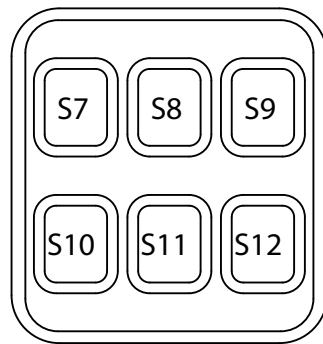


OPTION #6

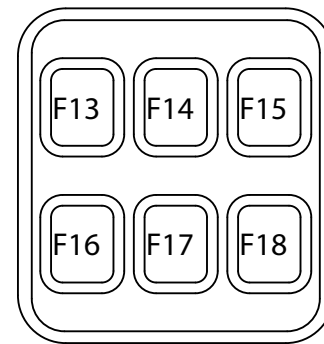
SIX BUTTON SWITCHPAD OPTIONS



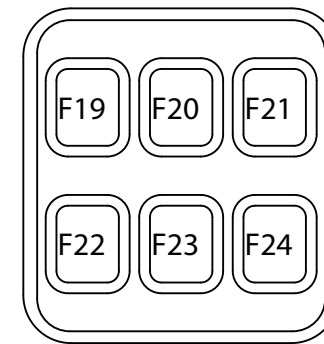
OPTION #1



OPTION #3

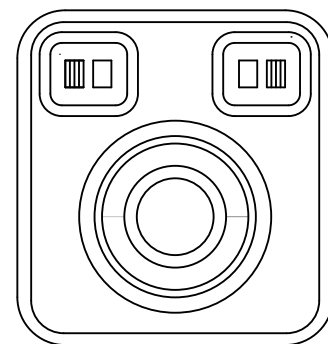


OPTION #5

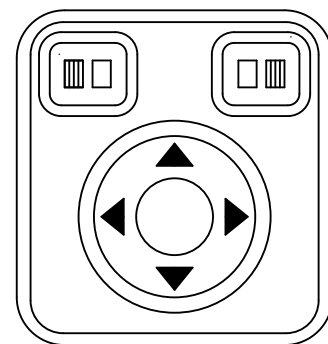


OPTION #6

ORBITALMOUSE® OR HAT-SWITCH OPTIONS



OPTION #0



OPTION #7

CTI ELECTRONICS CORPORATION
 WWW.CTIELECTRONICS.COM

uHMI-Pod™ NEMA 4X IP66
 UNIVERSAL INDUSTRIAL JOYSTICK CONTROLLER
 M7X2X-N84 RS422/RS485 SERIES

761837

DATE 03-04-15

APPROVED

SHEET 3 OF 3

DRAWN BY PSB

COPYRIGHT CTI ELECTRONICS CORP. 2015
 SPECIFICATIONS SUBJECT TO CHANGE WITHOUT NOTICE