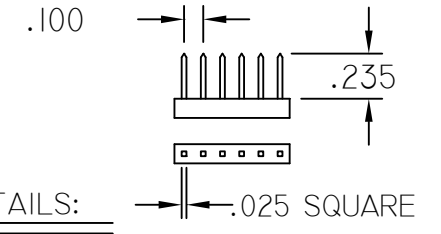
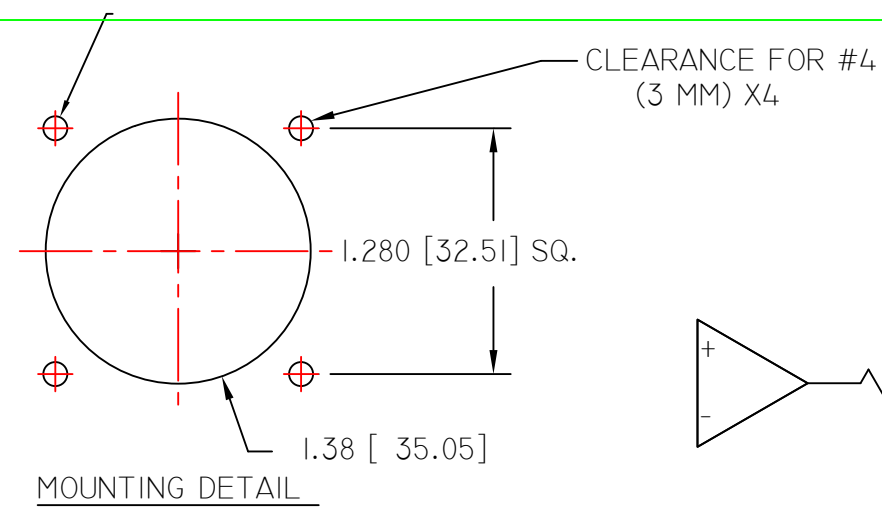
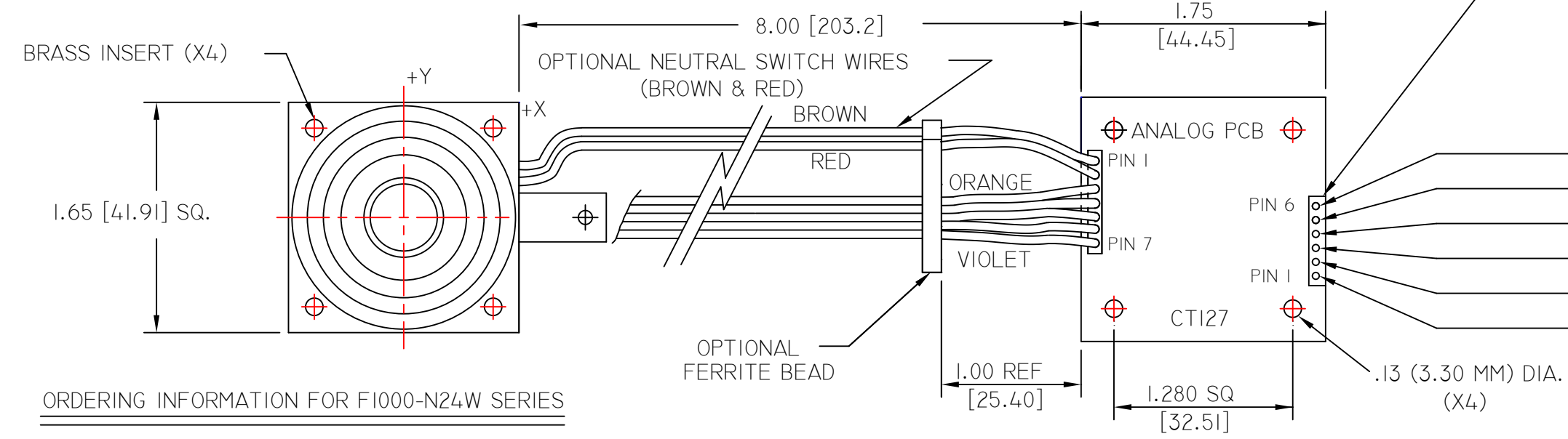


**CAUTION**  
 OPTIONAL CONDUCTIVE FABRIC SHIELD,  
 DO NOT LIFT UP BOOT, WILL DAMAGE SHIELD.  
 REFERENCE INSTALLATION INSTRUCTION 811810



SOLDER TO HEADER OR USE "AMP"  
 6 POSITION CONNECTOR PART No. 1-87499-1  
 AND SIX PINS PART No. 102917-2, OR EQUIVALENT.



F1020	F1040 F1050
OPTIONAL NEUTRAL SWITCH	
Y OUT	Y OUT
COMMON	V REF
X OUT	X OUT
-5V	COMMON
+5V	+5V

ORDERING INFORMATION FOR F1000-N24W SERIES

HAS WHITE FDA SILICONE BOOT AND WHITE PVC KNOB, BOTH PARYLENE COATED,

F [ ] [ ] [ ] [ ] - N24W

- 0 WITHOUT NEUTRAL SWITCH
- 1 NEUTRAL SWITCH (AVAILABLE ON +5V MODELS ONLY)

	INPUT	OUTPUT
2	±5V	±5V
4	+5V	0.5 TO 4.5V
5	+5V	0 TO 5V

- Z CONFORMAL COATING
- F FERRITE BEAD
- E WITHOUT DEADBAND
- G MAXIMUM COMPRESSION SPRING
- S CONDUCTIVE FABRIC SHIELD

- 0 STANDARD TWO AXES
- 6 SINGLE "Y" AXIS
- 9 X & Y AXIS NON-SIMULTANEOUS

- 1 4-40 THREADED INSERTS
- 3 3MM THREADED INSERTS

NOTES:

DIMENSIONS ARE IN INCHES [MILLIMETERS]  
 REF DWG 761718 FOR ELECTRICAL DETAILS

CTI ELECTRONICS CORPORATION  
 WWW.CTIELECTRONICS.COM

NEMA 4 (IP66)  
 MEDICAL / CLEANROOM JOYSTICK  
 F1000-N24W SERIES

761844

DATE 06-15-16

APPROVED

SHEET 1 OF 1

DRAWN BY PSB

COPYRIGHT 2016 CTI ELECTRONICS CORP.  
 SPECIFICATIONS SUBJECT TO CHANGE WITHOUT NOTICE