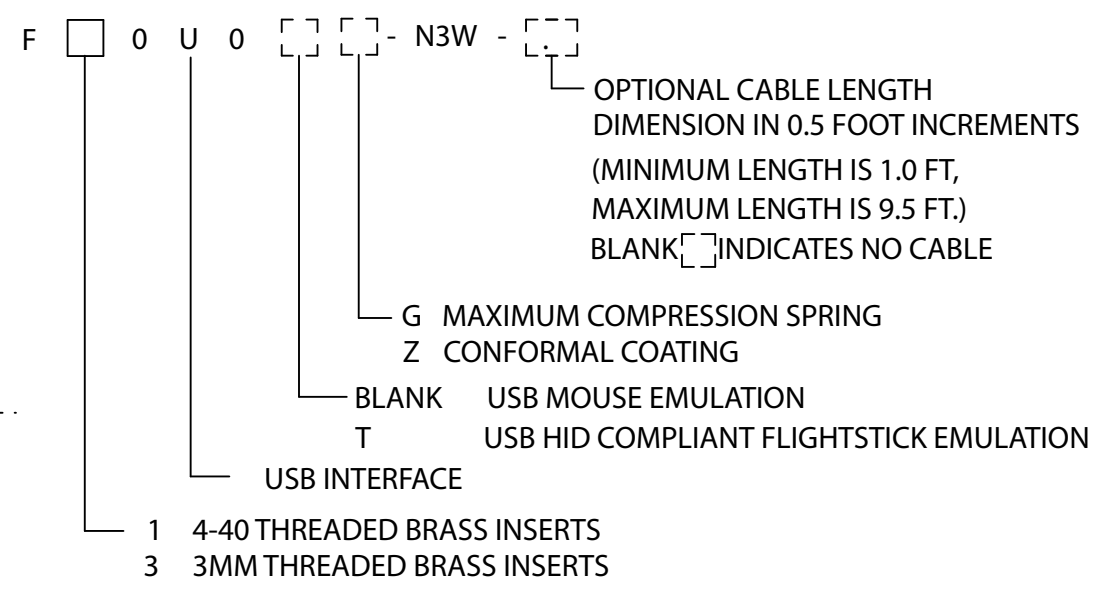


ORDERING INFORMATION



NOTES

DIMENSIONS ARE IN INCHES [MILLIMETERS]

CTI ELECTRONICS CORPORATION
 WWW.CTIELECTRONICS.COM

NEMA 4 (IP66) MEDICAL / CLEANROOM
 OEM MEDICAL MOUSE OR USB FLIGHTSTICK
 PARYLENE COATED, F10U0-N3W SERIES

761848

DATE 08-25-15

APPROVED

SHEET 1 OF 1

DRAWN BY PSB

COPYRIGHT 2015 CTI ELECTRONICS CORP.
 SPECIFICATIONS SUBJECT TO CHANGE WITHOUT NOTICE