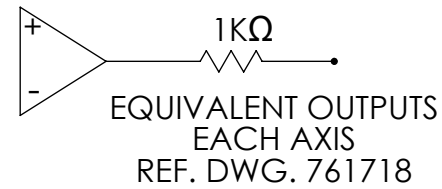


**ORDERING INFORMATION FOR F1000A-N2W**

HAS WHITE FDA SILICONE BOOT AND WHITE PVC KNOB, BOTH PARYLENE COATED

- 1 4-40 THREADED INSERTS
- 3 3MM THREADED INSERTS
- 0 STANDARD TWO AXES
- 6 SINGLE "Y" AXIS
- 9 DUAL AXIS NON-SIMULTANEOUS

- |              |               |
|--------------|---------------|
| <b>INPUT</b> | <b>OUTPUT</b> |
| 2 ±5V        | ±5V           |
| 4 +5V        | 0.5 TO 4.5V   |
| 5 +5V        | 0 TO 5V       |



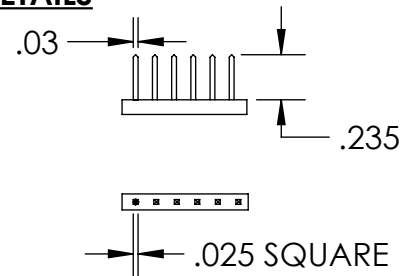
F [ ] [ ] [ ] A [ ] - N2W

- 0 WITHOUT NEUTRAL SWITCH
- 1 NEUTRAL SWITCH (AVAILABLE ON +5V MODELS ONLY)
- Z CONFORMAL COATING
- F FERRITE BEAD
- E WITHOUT DEADBAND
- G MAXIMUM COMPRESSION SPRING
- S CONDUCTIVE FABRIC SHIELD

**SPECIFICATIONS**

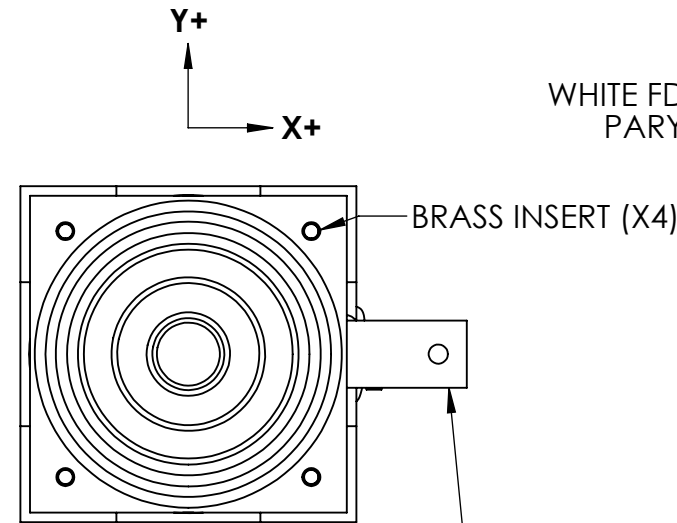
TEMPERATURE: -40°C TO 80°C  
 SEALING: NEMA 4 / IP66  
 WEIGHT: 3.4 oz. , 97 g  
 STANDARDS: CE, RoHS, REACH, IPC 610 CLASS II COMPLIANT

**OUTPUT HEADER DETAILS**

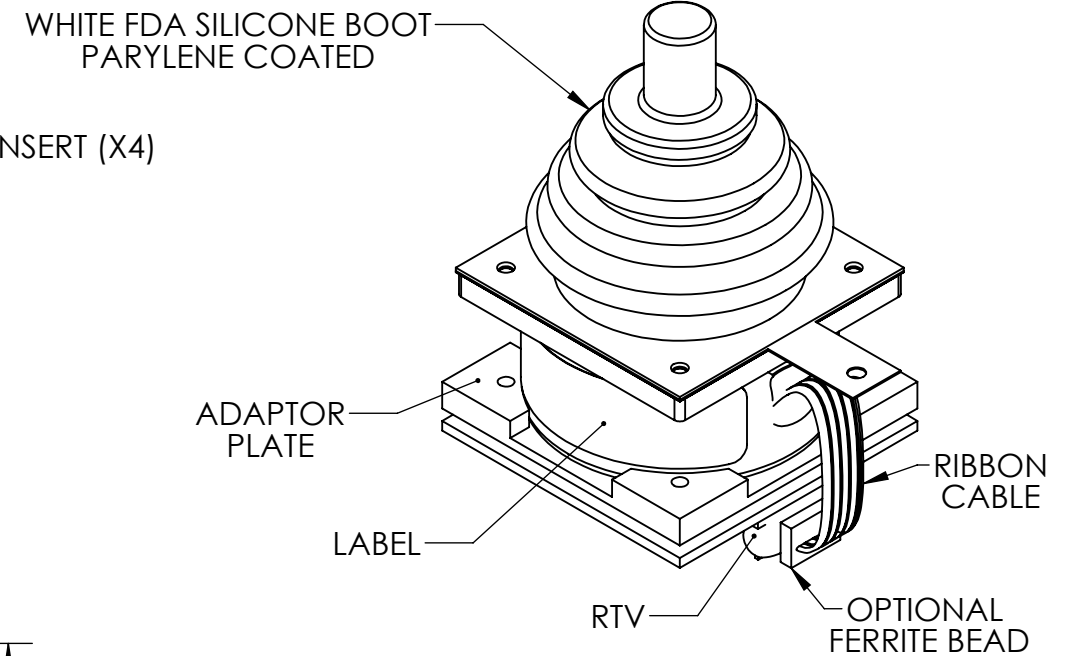
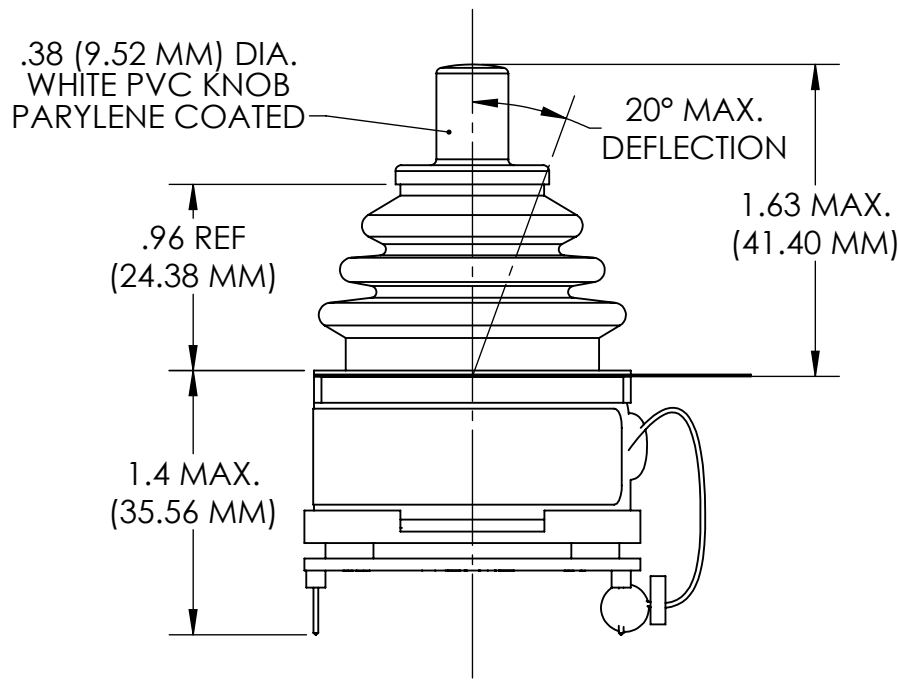


SOLDER TO HEADER OR USE "AMP" 6 POSITION CONNECTOR PART No. 1-87499-1 AND SIX PINS PART No. 102917-2, OR EQUIVALENT

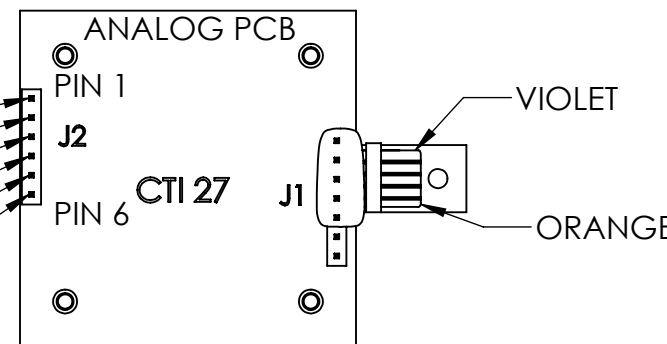
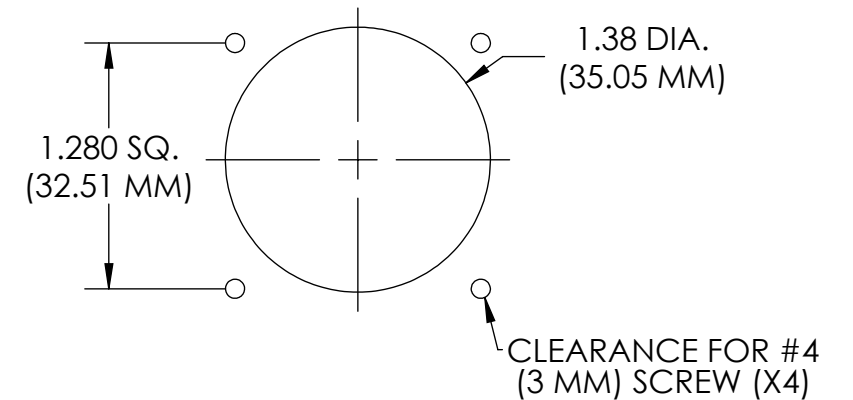
F1020	F1040 F1050
+5V	+5V
-5V	COMMON
X OUT	X OUT
COMMON	V REF.
Y OUT	Y OUT
OPTIONAL NEUTRAL SWITCH	



**CAUTION :**  
 OPTIONAL CONDUCTIVE FABRIC SHIELD, DO NOT LIFT UP BOOT, WILL DAMAGE SHIELD  
 REFERENCE INSTALLATION INSTRUCTION 811810



**MOUNTING DETAIL**



**CTI ELECTRONICS CORP.**

WWW.CTIELECTRONICS.COM

NEMA 4 / IP66 MEDICAL / CLEANROOM  
 JOYSTICK F10X0A-N2W SERIES WITH  
 ADAPTOR PLATE

**761864**

DATE 6-9-16

APPROVED:

SHEET 1 OF 1

DRAWN BY: A.J.K.

COPYRIGHT 2016 CTI ELECTRONICS CORP.  
 SPECIFICATIONS SUBJECT TO CHANGE WITHOUT NOTICE