

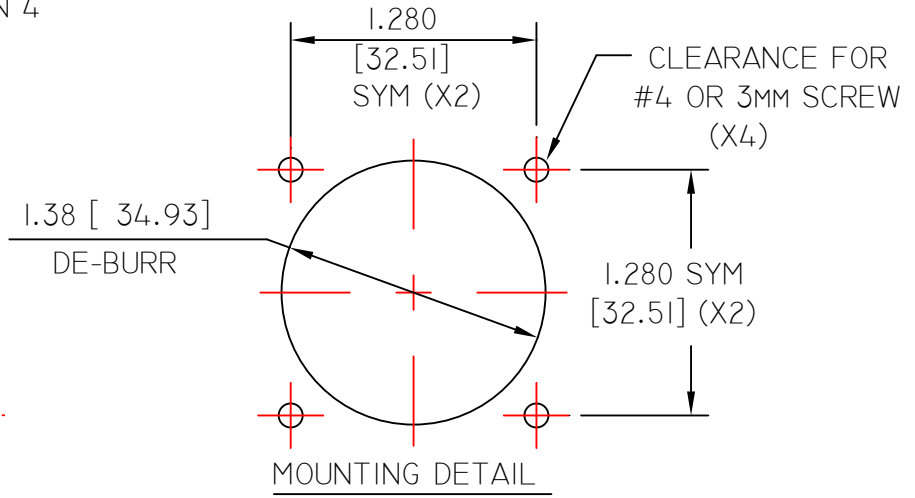
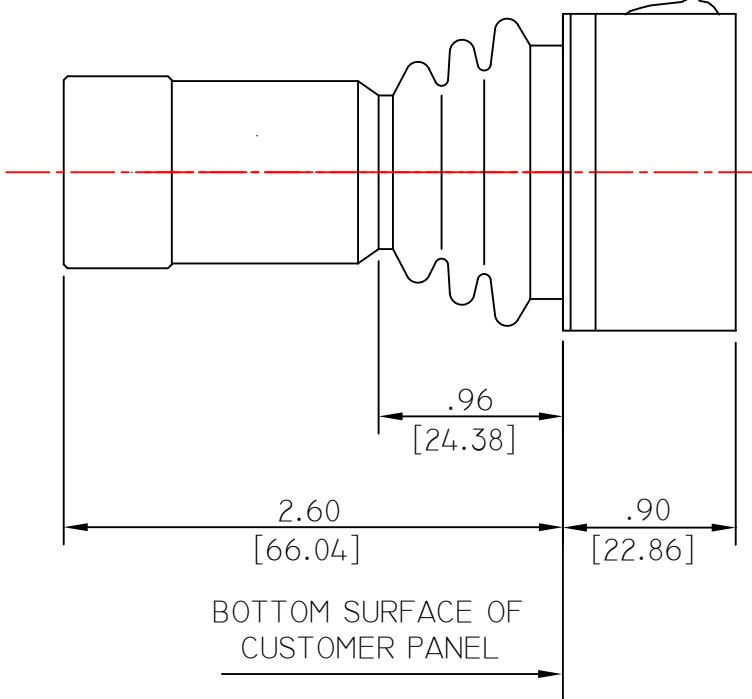
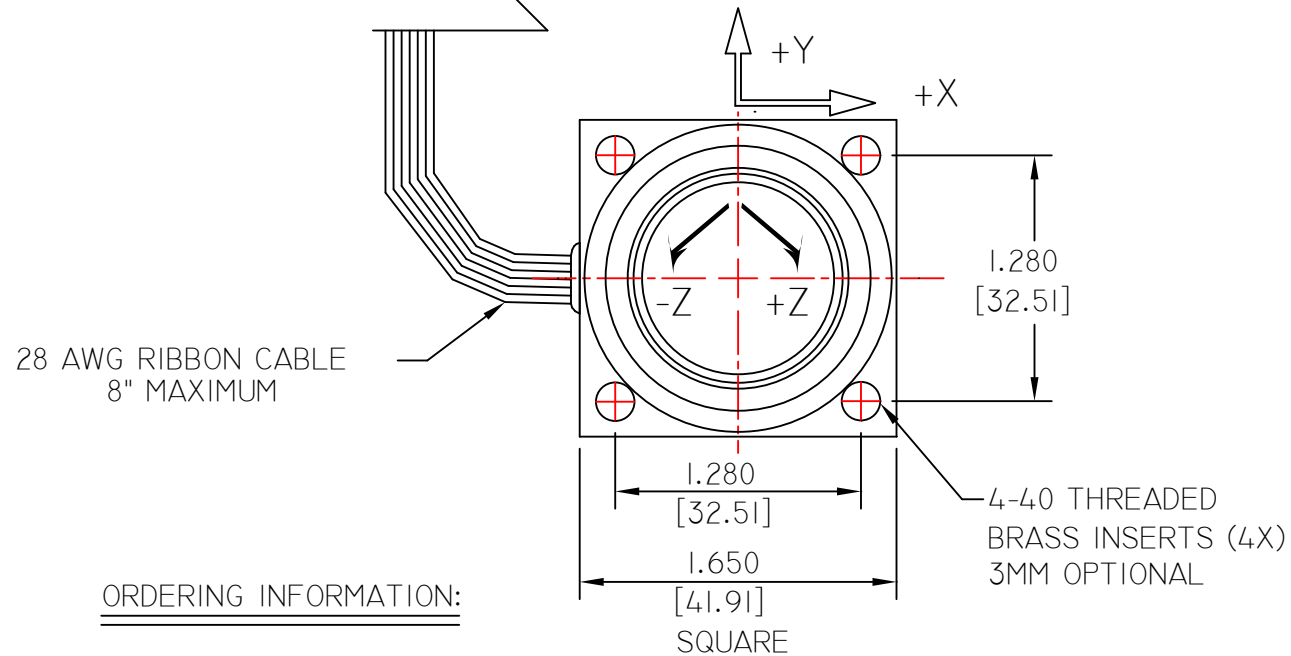
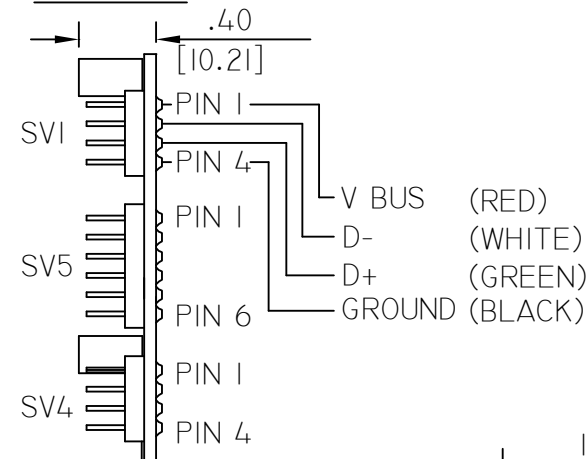
SV3 PIN OUTS

- PIN 1 LEFT SWITCH
- PIN 2 MIDDLE SWITCH
- PIN 3 RIGHT SWITCH
- PIN 4 SWITCH COMMON
- PIN 5 LED CATHODE (-)
- PIN 6 LED ANODE (+)

SV5 USB ADDITIONAL SWITCH INPUTS

- PIN 1 SWITCH INPUT
- PIN 2 SWITCH INPUT
- PIN 3 SWITCH INPUT
- PIN 4 SWITCH INPUT
- PIN 6 SWITCH COMMON

SIDE VIEW



ORDERING INFORMATION:

- U USB HID COMPLIANT GAME CONTROL DEVICE
- 1 RS232
- 2 RS485
- OPTIONAL CUSTOMER INTERFACE REQUIRES "P" FILE
- OPTIONAL CABLE LENGTH DIMENSION IN 0.5 FOOT INCREMENTS (MINIMUM LENGTH IS 1.0 FT, MAXIMUM LENGTH IS 9.5 FT.)
- BLANK [] INDICATES NO CABLE
- 2 N82 BLACK DELRIN KNOB SMOOTH FINISH
- A N82 ANODIZED BLACK ALUMINUM KNOB WITH FINE STRAIGHT KNURL
- 1 4-40 THREADED INSERTS
- 3 3MM THREADED INSERTS

CTI ELECTRONICS CORPORATION
 WWW.CTIELECTRONICS.COM

NEMA 4 (IP66) OEM
 USB FLIGHTSTICK
 F18U0-N82 SERIES

761877

DATE 03-16-17
 DRAWN BY PSB

APPROVED SHEET 1 OF 1

COPYRIGHT 2017 CTI ELECTRONICS CORP.
 SPECIFICATIONS SUBJECT TO CHANGE WITHOUT NOTICE