

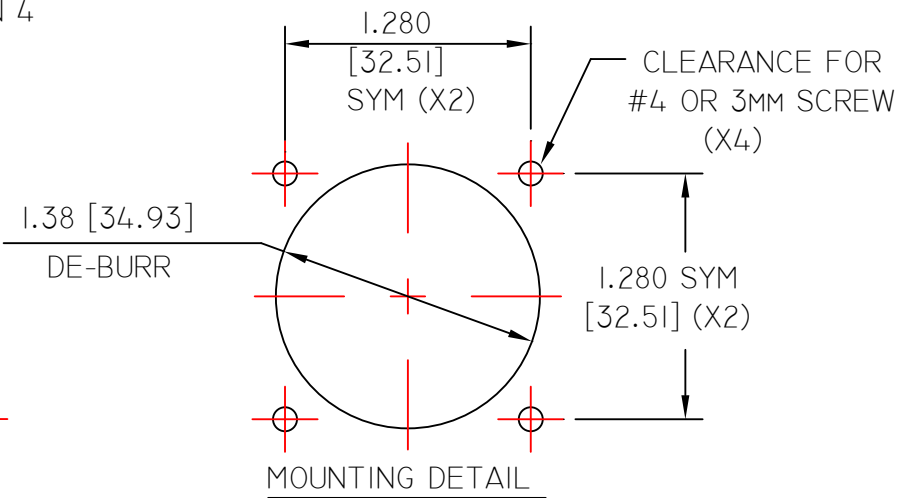
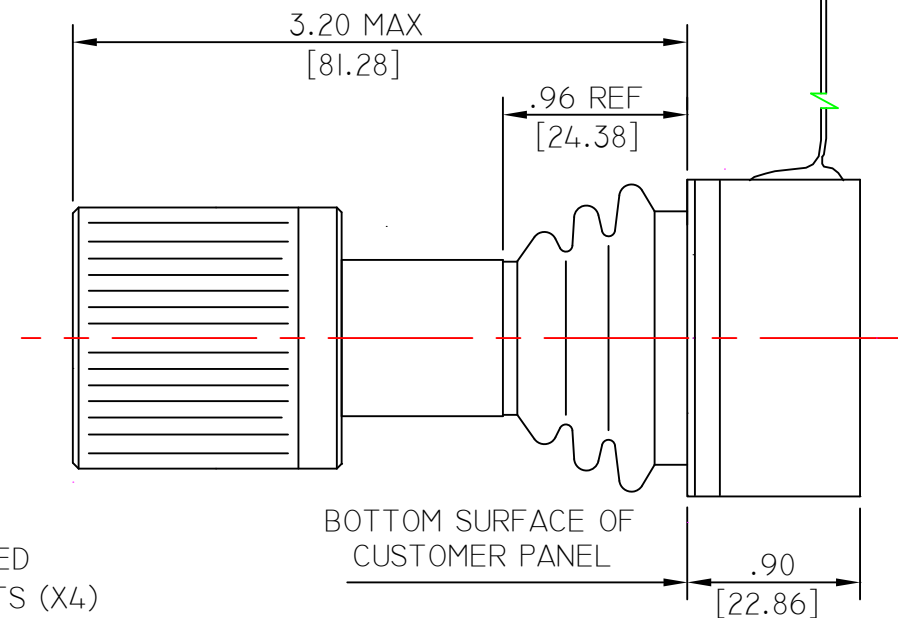
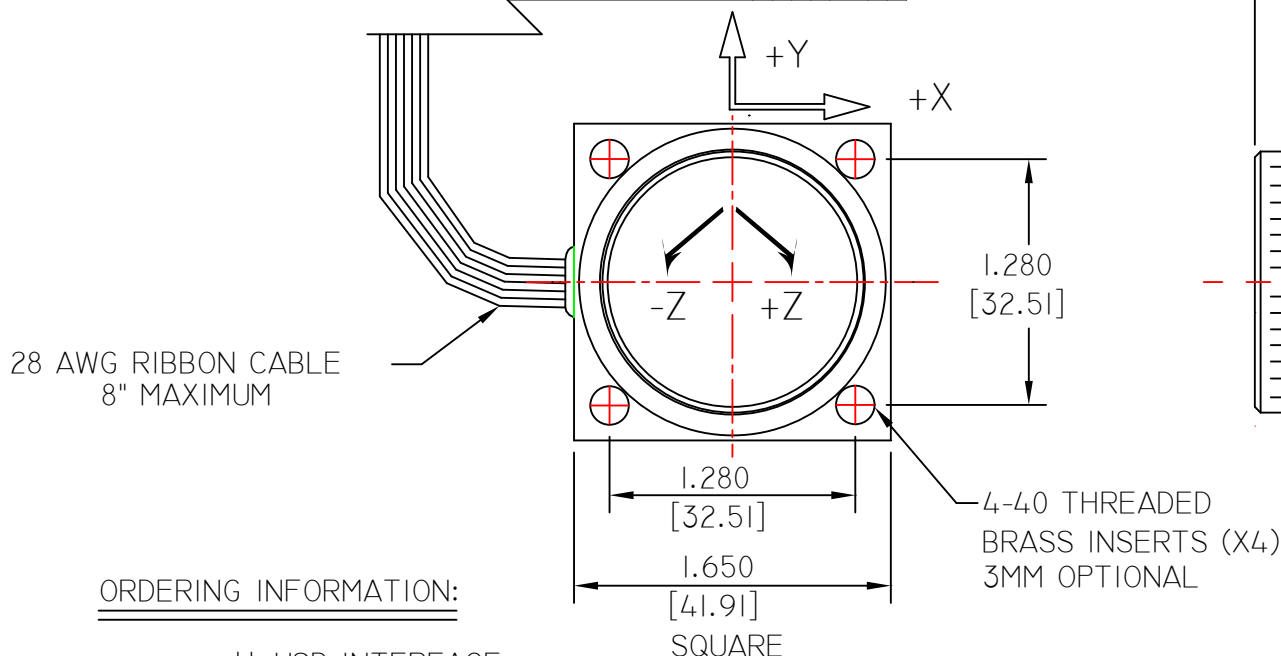
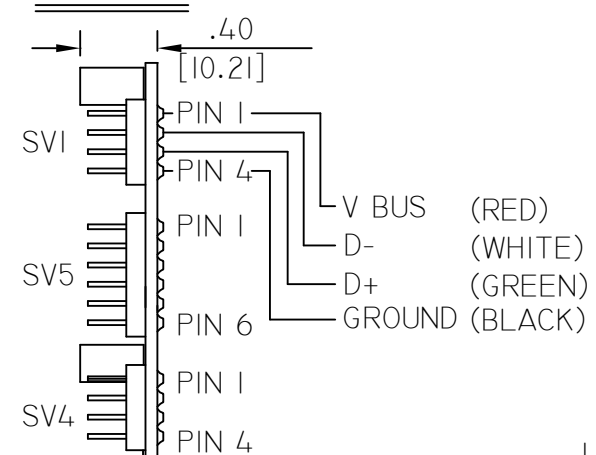
SV3 PIN OUTS

- PIN 1 LEFT SWITCH
- PIN 2 MIDDLE SWITCH
- PIN 3 RIGHT SWITCH
- PIN 4 SWITCH COMMON
- PIN 5 LED CATHODE (-)
- PIN 6 LED ANODE (+)

SV5 USB ADDITIONAL SWITCH INPUTS

- PIN 1 SWITCH INPUT
- PIN 2 SWITCH INPUT
- PIN 3 SWITCH INPUT
- PIN 4 SWITCH INPUT
- PIN 6 SWITCH COMMON

SIDE VIEW



ORDERING INFORMATION:

U USB INTERFACE
 1 RS232
 2 RS485

OPTIONAL CUSTOMER INTERFACE REQUIRES "P" FILE

OPTIONAL CABLE LENGTH DIMENSION IN 0.5 FOOT INCREMENTS (MINIMUM LENGTH IS 1.0 FT, MAXIMUM LENGTH IS 9.5 FT.)
 BLANK [] INDICATES NO CABLE

F 0 U 0 T [] - N 8 4 - []

Z CONFORMAL COATING
 R CONDUCTIVE BOOT
 RF CONDUCTIVE BOOT AND FERRITE BEAD

USB HID COMPLIANT GAME CONTROL DEVICE

1 4-40 THREADED INSERTS
 3 3MM THREADED INSERTS

CTI ELECTRONICS
 WWW.CTIELECTRONICS.COM

NEMA 4 (IP66) OEM
 USB FLIGHTSTICK
 FIOUOT-N84 SERIES

761878

DATE 08-08-17

APPROVED SHEET 1 OF 1 DRAWN BY PSB

COPYRIGHT 2017 CTI ELECTRONICS.
 SPECIFICATIONS SUBJECT TO CHANGE WITHOUT NOTICE