



An Affiliate of ELECTRO SWITCH

F60U0T-NxW Medical USB Flightstick

NEMA 4 (IP66) OEM MEDICAL USB GAME CONTROL DEVICE

F60U0T-NxW OEM MEDICAL USB JOYSTICK

CTI's OEM Medical USB Flightstick is a USB HID Compliant Game Control device that is uniquely designed for usage in areas where ensured cleaning, disinfecting, or sterilization is a necessity. The open frame structure with ample ribbon cable offers the medical device manufacturer ease of placement of the interface PCB and three button switchpad. An advanced molecular bonding coating process seals the Medical USB Joystick against penetration from biohazard materials. With unmatched reliability and durability under harsh conditions the Medical USB Flightstick is guaranteed to provide many years of uninterrupted service, [take a look here.](#)

The NEMA 4 (IP66) sealing Medical USB Flightstick is unaffected by extreme temperatures or exposure to harsh solid and/or liquid contaminants. The Medical USB Joystick is a very precise motion control device with three application defined buttons. The optional N3W and N33W joysticks have an additional application defined button on top of the joystick for rapid selection capability, even while wearing safety gloves.

CTI's confidence in the OEM Medical USB Flightstick is backed by a One Year Warranty. A thorough analysis of healthcare safety, productivity enhancements, and financial savings solidifies the investment decision. For clinicians and laboratory scientists, the ability to hygienically cleanse the Medical USB Joystick of infectious particles and pathogens will ensure a healthier and safer environment.

F60U0T-NxW MANUFACTURING OPTIONS

G	Maximum Compression Spring for Optional Temperature Range
Z	Conformal Coating for CTI-67 PCB
x.x	USB Cable with USB "A" Plug (1.0-9.5ft, in half foot increments)
0	4-40 Threaded Brass Inserts (US Thread)
3	3mm Threaded Brass Inserts (Metric Thread)

*For complete ordering information please refer to Technical Drawings

F60U0T-NxW JOYSTICK KNOB OPTIONS



N2W

N24W

N3W

N33W

For more information please refer to [Joystick Knob Options Drawing 761873](#)

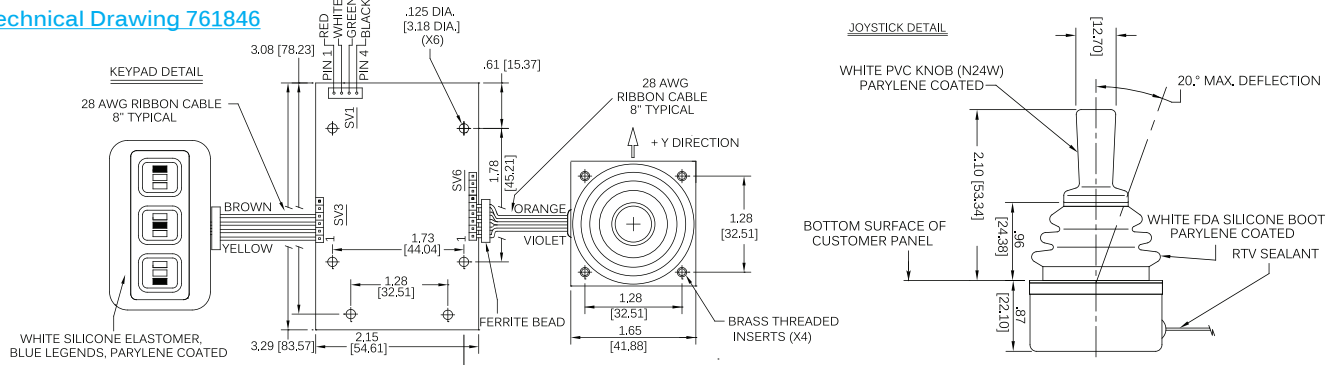
F60U0T-NxW TECHNICAL DRAWINGS

[761847](#) F60U0T-N2W NEMA 4 (IP66) Medical USB Flightstick

[761846](#) F60U0T-N24W NEMA 4 (IP66) Medical USB Flightstick

F60U0T-N24W TECHNICAL DRAWING

See CTI Technical Drawing 761846



performance

• Shown above F60U0T-N24W Medical USB Flightstick

F60U0T-NxW STANDARD FEATURES

- Standard Operating Temperature -0°C to 80°C (32°F to 176°F)
- Optional Operating Temperature -40°C to 80°C (-40°F to 176°F) - Low Temperature Spring
- Non-contacting sensors and Sub-Assemblies with high reliability and durability (MTBF 100,000+ hours, 10,000,000+ deflections)
- Molded rubber elastomer keys rated for 10 million activations
- White FDA Silicone Boot - NEMA 4 (IP66) sealing - Operation in harsh environmental conditions
- Parylene Coated boot, knob, and switchpad
- Signal Interference protection (EMI/RFI)
- Joystick movement is Spring Return to Center
- Conformal Coating of PCB protects electronic components
- Optional USB cable with "A" Plug (1.0 - 9.5ft)
- Sealed Button on top of N3W and N33W joystick knob
- Threaded Brass Inserts - Provides reliable and secure NEMA 4 (IP66) sealing and eliminates breakage issues

durability

reliability



An Affiliate of ELECTRO SWITCH

F60U0T-NxW Medical USB Flightstick

NEMA 4 (IP66) OEM MEDICAL USB GAME CONTROL DEVICE

F60U0T-NxW SPECIFICATION

N2W Joystick Dimensions	Width: 1.28" SQ (32.51mm SQ)	Height Above Panel: 1.6" (40.64mm)	Depth Below Panel: 3.13" (79.50mm)
N24W Joystick Dimensions	Width: 1.28" SQ (32.51mm SQ)	Height Above Panel: 2.1" (54.36mm)	Depth Below Panel: 3.63" (92.20mm)
N3W Joystick Dimensions	Width: 1.28" SQ (32.51mm SQ)	Height Above Panel: 2.1" (54.36mm)	Depth Below Panel: 3.63" (92.20mm)
N33W Joystick Dimensions	Width: 1.28" SQ (32.51mm SQ)	Height Above Panel: 3.1" (78.74mm)	Depth Below Panel: 4.63" (117.60mm)
CTI-67 PCB Dimensions	Width: 3.29" (83.57mm)	Height: 2.15" (54.61mm)	Overall Height 0.40" (10.21mm)
Switch Pad Dimensions	Width: 2.66" (67.56mm)	Height: 1.33" (33.78mm)	Overall Height 0.30" (7.59mm)
Operating Systems	Microsoft Windows® Operating System (Windows XP, Windows 7, Windows 8, Windows 10)		
	Mac OS X® or Linux OS requires compliant USB Device Class Definition for Human Interface Devices 1.11		

performance

F60U0T-NxW ELECTRICAL SPECIFICATION

MTBF	Greater than 100,000 hours
Cabling	Optional USB with "A" Plug (1.0-9.5ft, in half foot increments)
Power	+5V with less than 100mA (USB Port Standard)

F60U0T-NxW MECHANICAL SPECIFICATION

N2W Specifications	Knob Type Non-Pushbutton	Dual Axes	Sensor Technology Inductive	Height: 1.6" (40.64mm)
N24W Specifications	Knob Type Non-Pushbutton	Dual Axes	Sensor Technology Inductive	Height: 2.1" (54.36mm)
N3W Specifications	Knob Type Pushbutton	Dual Axes	Sensor Technology Inductive / Momentary Switch	Height: 2.1" (54.36mm)
N33W Specifications	Knob Type Pushbutton	Dual Axes	Sensor Technology Inductive / Momentary Switch	Height: 3.1" (78.74mm)
Life Expectancy (Joystick)	X & Y Axes 10,000,000 random deflections		Normally Open Momentary Switch 1,000,000+ cycles	
Life Expectancy (Switches)	Normally Open Momentary Switch 10,000,000+ activations			
Joystick Movement	Simultaneous X & Y Axes Spring Return to Center			
Joystick Operational Force	X & Y Breakout Force 140g (typical)		X & Y Full Scale Force 235g (typical)	
Shock (Joystick)	Peak Value 30g (typical)	Peak Duration 11ms	Waveform Half Sine	
Shock (Switches)	Peak Value 50g (typical)	Peak Duration 11ms	Waveform Half Sine	
Vibration	Frequency / Displacement	5-25 Hz / 0.1" (typical)	25-55 Hz / 0.03" (typical)	

durability

F60U0T-NxW ENVIRONMENTAL SPECIFICATION

Operating Temperature	-0° to 80° C / 32° to 176° F	-40° to 80° C / -40° to 176° F (Optional)
Storage Temperature	-40° to 80° C / -40° to 176° F	
Relative Humidity	100% condensing (when installed properly)	
Sealing Rating	NEMA 4 (IP66) (when installed properly)	
Protection	Parylene Coated boot, knob, and switchpad - toughest molecular barrier protection	

CONFORMANCE / CERTIFICATIONS / COMPLIANCE

subject to manufacturing options applied

U.S.A. Standards	U.S. FCC 47 CFR 15 Class A & B	RF Emissions Compliant 8Kv (Contact), 15Kv (Air)
	MIL-STD-461F	Radiated Emissions and Susceptibility Conformance
	MIL-STD-810G	Protection against humidity, fungus, and salt spray Conformance
	MIL-STD-901D	Protection against shock Conformance
	MIL-STD-167-1	Protection against vibration Conformance
	MIL-STD-1472G	Human Factors Conformance
	MIL-I-45208	Quality System Conformance
	IPC-A-610 II	Acceptability of Electronics Assemblies Certification
European Standards	ISO 9001:2008 (Registration No. 74 300 3983)	
	"CE" Compliant	
	Restriction of Hazardous Substance (RoHS) Directive Compliant	
	Regulation on Registration, Evaluation, Authorisation and Restriction of Chemicals (REACH) Directive Compliant	
International Standards	IEC 61000-4-2 and EN61000-4-2	ESD 8Kv contact and 15Kv air Conformance
	IEC 61000-4-3 and EN61000-4-3	Radiated Emissions and Susceptibility Conformance
	IEC 61000-6-3 and EN61000-6-3	Electromagnetic Compatibility Conformance

reliability