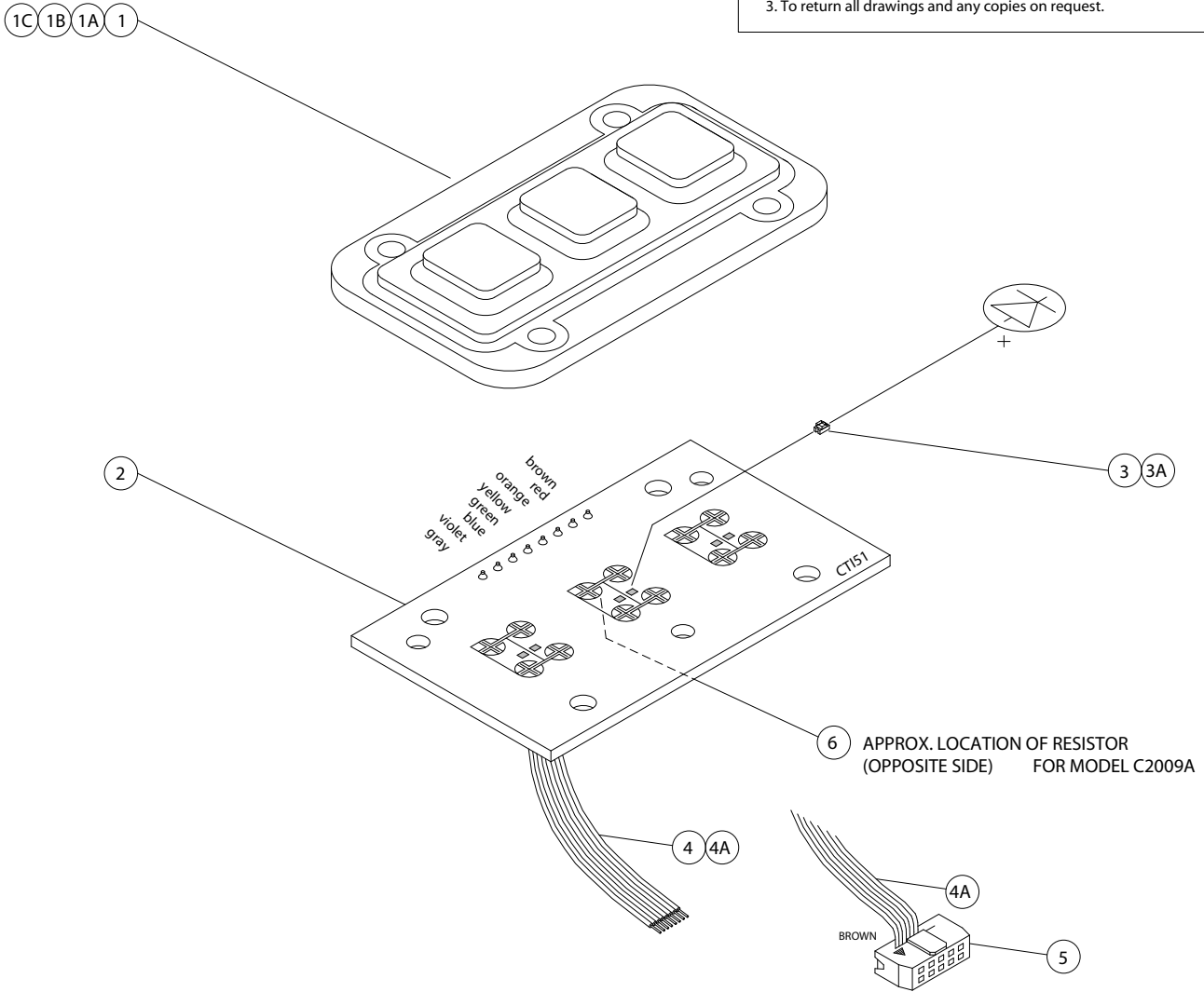


Recipient agrees to the following:

1. To hold information in confidence.
2. Not to disclose or provide copies to third parties without obtaining prior written permission from CTI Electronics.
3. To return all drawings and any copies on request.



MODEL	LED'S	RESISTOR	RIBBON COLORS USED
C2001A	NONE	NONE	VARIOUS (2)
C2003A	NONE	NONE	BRN THRU YEL (4)
C2007A [G]	THREE LED'S	THREE	BRN THRU GRAY (8)
C2008A [G]	FOUR LED'S	NONE	NO ITEM 5 (6) WIRES
C2009A [G]	MIDDLE LED	ONE	BRN THRU BLUE (6)
C2203A	NONE	NONE	BRN THRU BLUE (6) WITH CONNECTOR ITEM 5
C2207A [G]	FOUR LED'S	NONE	BRN THRU BLUE (6) WITH CONNECTOR ITEM 5

COLOR	FUNCTION
brown	l.sw.
red	m.sw.
orange	r.sw.
yellow	sw.comm.
green	m.led(-)
blue	led com(+)
violet	r.led(-)
gray	l.led(-)

NOTES:

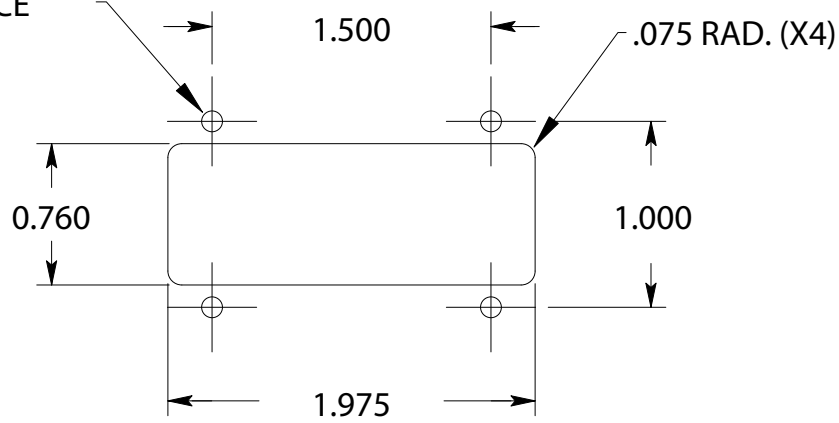
1. C2008A & C2207A REQUIRE MODIFICATION PER DWG. 791700.
2. DEFAULT = RED LED'S
[G] = GREEN LED'S

CTI ELECTRONICS CORPORATION	
110 Old South Ave, Stratford, CT 06615 - Tel 203 / 386-9779 - Fax 203 / 378-4986 - www.ctielectronics.com	
TITLE: C200XA-MDUL-X.X	
REV. E DATE: 05-08-08	A 601619
APPROVED:	
DRAWN: S.SZERSZEN	1 OF 2

Recipient agrees to the following:

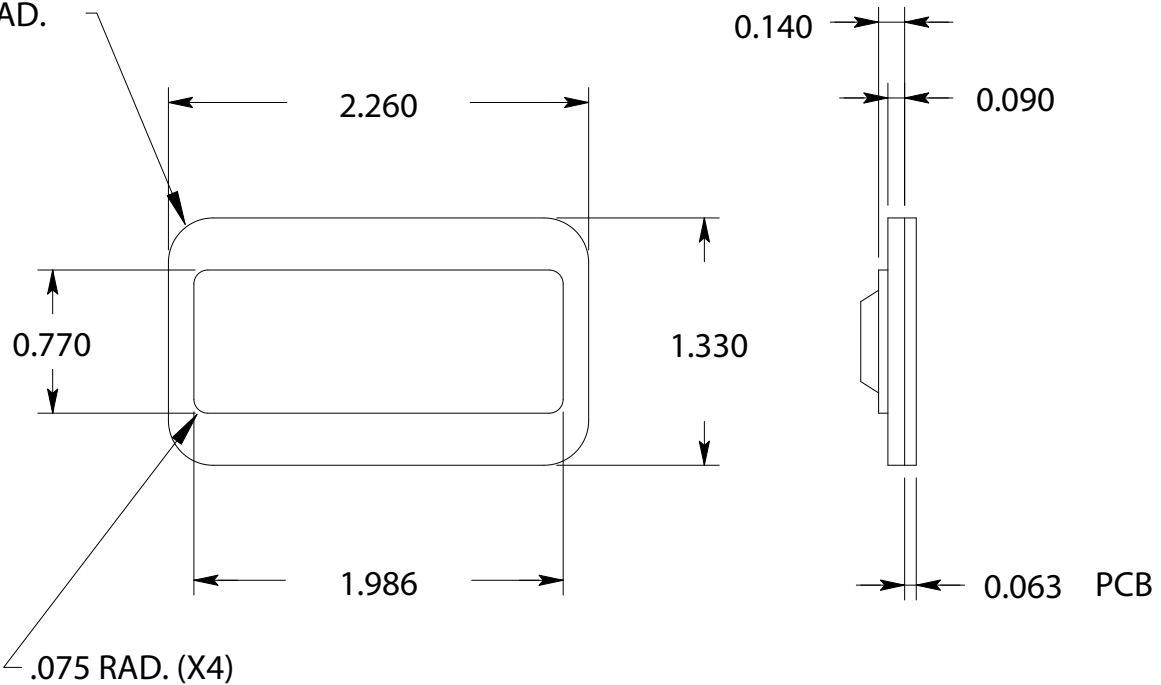
1. To hold information in confidence.
2. Not to disclose or provide copies to third parties without obtaining prior written permission from CTI Electronics.
3. To return all drawings and any copies on request.

#4 CLEARANCE
(X4)



PANEL CUTOUT

.240 RAD.
(X4)



KEYPAD DETAIL

CTI ELECTRONICS CORPORATION	
110 Old South Ave, Stratford, CT 06615 - Tel 203 / 386-9779 - Fax 203 / 378-4986 - www.ctielectronics.com	
TITLE: C200XA-MDUL-X.X	
REV. E DATE: 05-08-08	A 601619
APPROVED:	
3 OF 3	