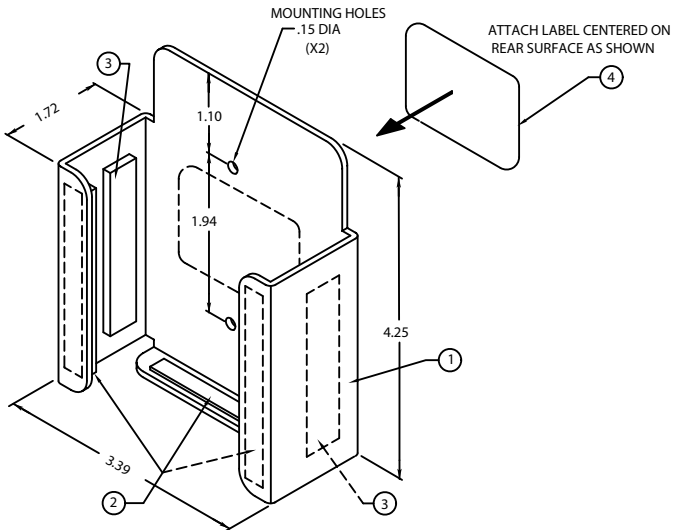


| ITEM | QTY | MATERIAL | DESCRIPTION |
|------|-----|-----------|--|
| 1 | 1 | 161708 | M2 HOLDER |
| 2 | 3 | R-10470-M | 1/4 WIDE x 2 1/2 LG. x 1/16 THK. SILICONE (CUT TO WIDTH) |
| 3 | 2 | 4701-50 | 1/2 WIDE x 2 1/2 LG. x 1/8 THK. PORON |
| 4 | 1 | 311431 | LABEL |



NOTES:

1. MATERIAL: .080 ALUMINUM
2. FINISH: BLACK ANODIZE

CTI ELECTRONICS CORPORATION
WWW.CTIELECTRONICS.COM

M2 HOLDER

THESE DRAWINGS AND SPECIFICATIONS ARE THE PROPERTY OF CTI ELECTRONICS CORP. AND ARE ISSUED IN STRICT CONFIDENCE; AND SHALL NOT BE REPRODUCED, OR COPIED, OR USED AS THE BASIS FOR THE MANUFACTURE OR SALE OF EQUIPMENT WITHOUT PRIOR WRITTEN PERMISSION

761727-BK

DRAWN BY PSB

DATE 01-08-15

APPROVED

SHEET 1 OF 1

COPYRIGHT 2016 CTI ELECTRONICS CORP.
 SPECIFICATIONS SUBJECT TO CHANGE WITHOUT NOTICE