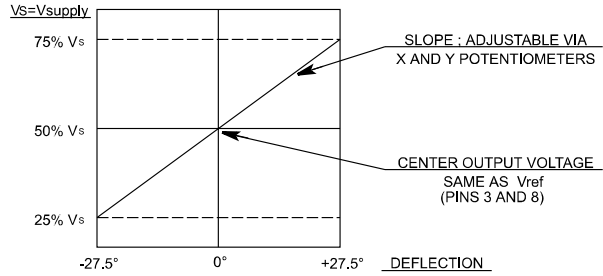
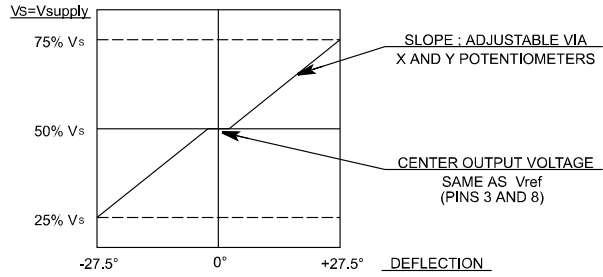


DEFLECTION ANGLE vs. OUTPUT VOLTAGE

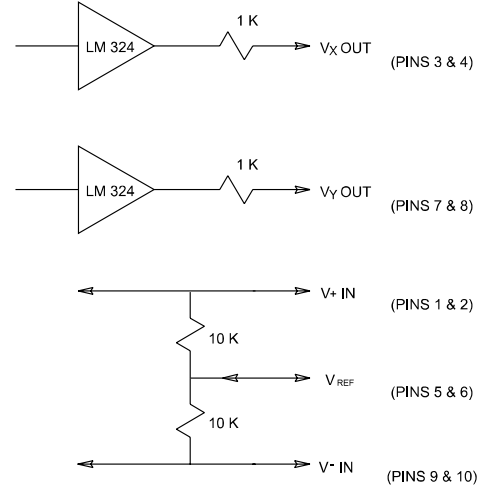
0° DEAD BEND OPTIONAL (MODEL H0000E)



±5° DEAD BEND STANDARD (MODEL H0000)



EQUIVALENT OUTPUT CIRCUITS



<b>CTI</b>	
TITLE: MODEL H0X00-N0 / N04	
REV. B	DATE: 4-25-98
APPROVED:	DRAWN: Vladimir Ilie
B 761043 1 OF 1	