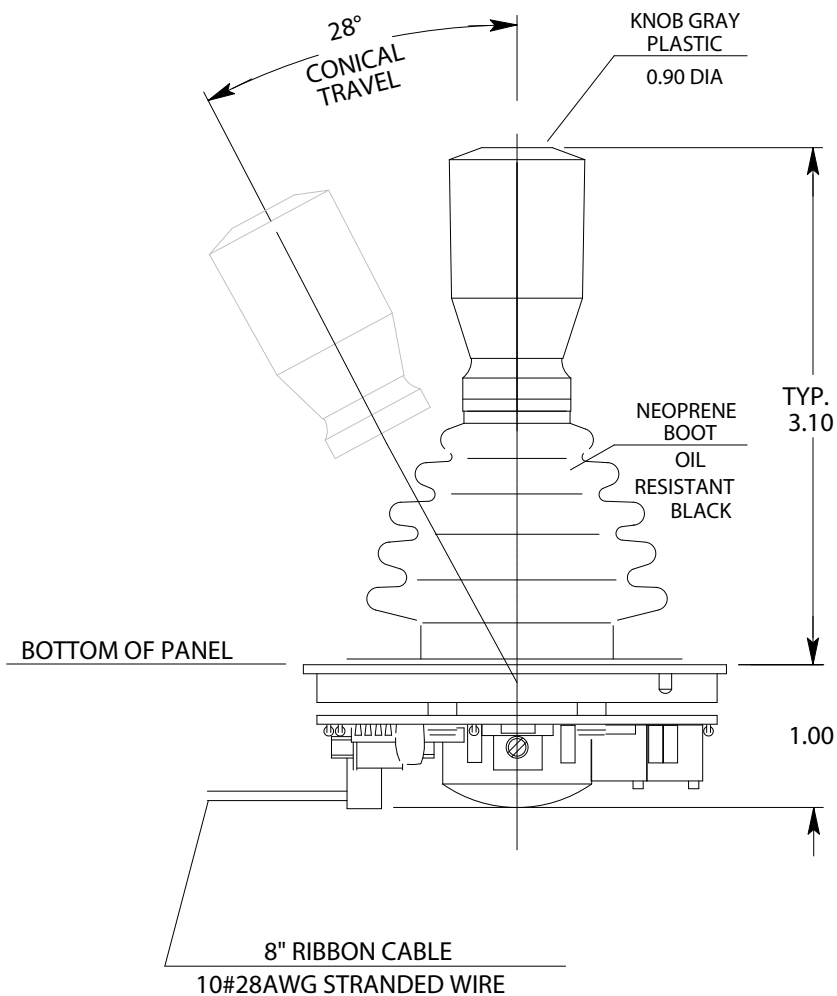
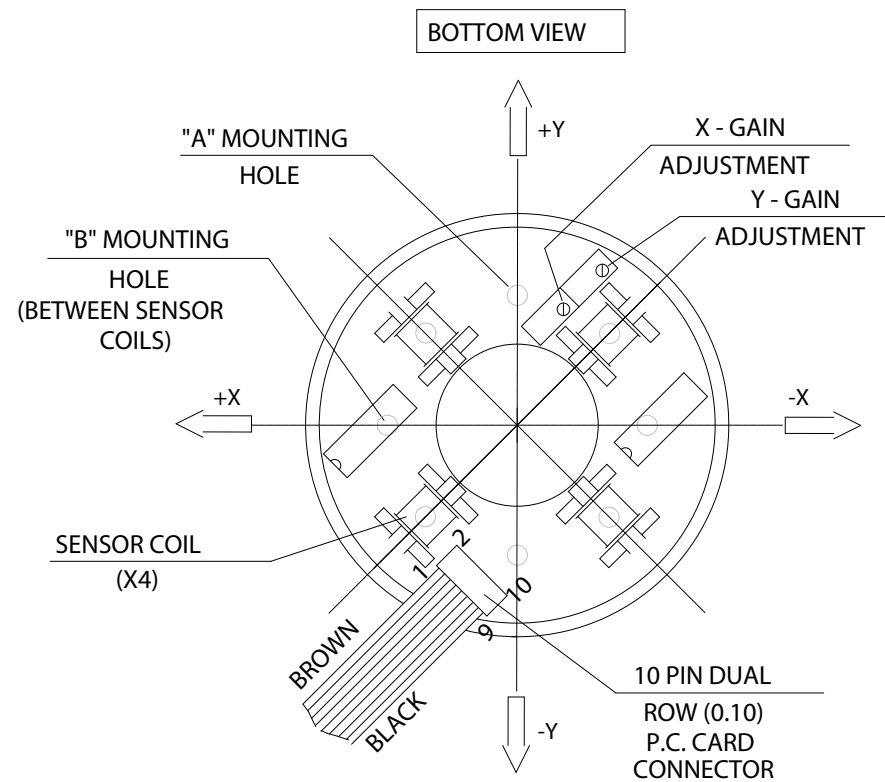


CONNECTOR WIRING:

PIN #	COLOR	FUNCTION
1 & 2	BRN/RED	POSITIVE SUPPLY
3 & 4	ORN/YEL	X - AXIS OUTPUT VOLT.
5 & 6	GRN/BLU	V REF (COMMON IF DUAL SUPPLY)
7 & 8	VIOL/GRY	Y - AXIS OUTPUT VOLT.
9 & 10	WHIT/BLK	NEG. SUPPLY (COMMON IF SINGLE SUPPLY)

PANEL MOUNTING DETAIL:

- USE #4-40, NON-MAGNETIC SCREWS. SCREWS SHOULD PROTRUDE .25 BELOW MOUNTING PLANE, BUT NOT MORE THAN .31 BELOW PANEL
- MOUNTING FOR NEMA 4 (IP66), USE ALL 8 SCREWS (4 "A" AND "B" HOLES) FOR PROPER SEAL. IF NEMA 4 IS NOT REQUIRED THEN ONLY 4 SCREWS ARE NECESSARY (4 "A" HOLES) TO SECURE JOYSTICK.
- MODEL H0000 HAS APPROX. 5° DEADBAND
MODEL H0000E HAS NO DEADBAND



ORDERING INFORMATION :

H0000-N0 BASIC HANDLE (SPRING TENSION/HEIGHT IS ADJUSTABLE)
ALL OTHER KNOB OPTIONS THE HEIGHT IS FIXED

H0000 -N04 - SPRING TENSION (BLANK = DEFAULT) A - STANDARD (DEFAULT)
 B - 50% STIFFER (DEFAULT FOR N62)
 C - LIGHT

NEMA 4 SEALED KNOB

C - VOLTAGE OPTION +12V INPUT
 D - LOW TEMPERATURE OPTION +5V REF INPUT
 E - NO DEADBAND OPTION 0-5V OUTPUT

H0600-N - SINGLE AXIS ("Y") OPTION
H0900-N - TWO AXIS NON-SIMULTANEOUS OPTION

REFERENCE SHEET 2 OF 2 FOR OUTPUT VOLTAGES

"CAUTION"
DO NOT REVERSE CONNECTOR

CTI ELECTRONICS CORPORATION
110 Old South Ave., Stratford, CT 06615 - Tel 203 / 386-9779 - Fax 203 / 378-4986 - www.ctielelectronics.com

TITLE: **MODEL H0X00-N0 / N04**

REV. DATE: 02-02-05

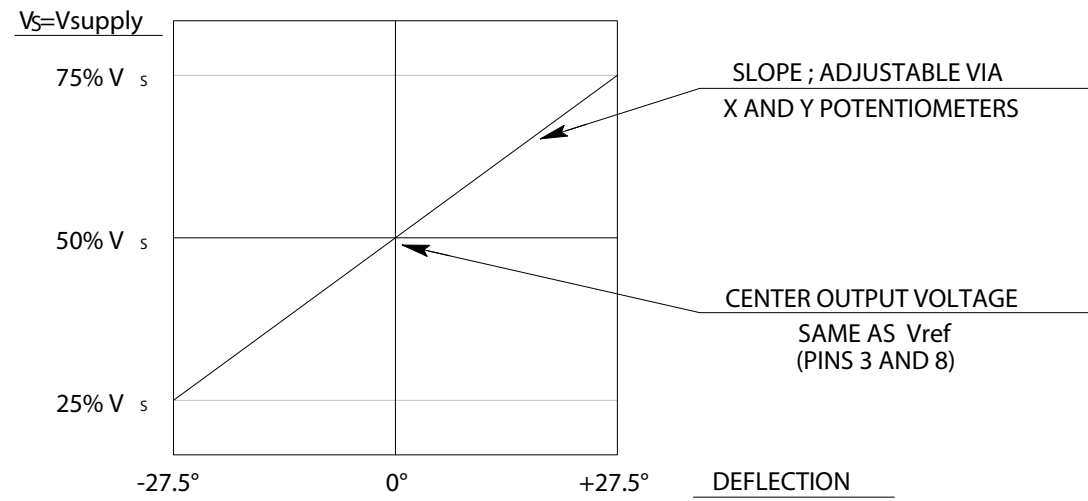
APPROVED: VI / SJS

B 761043

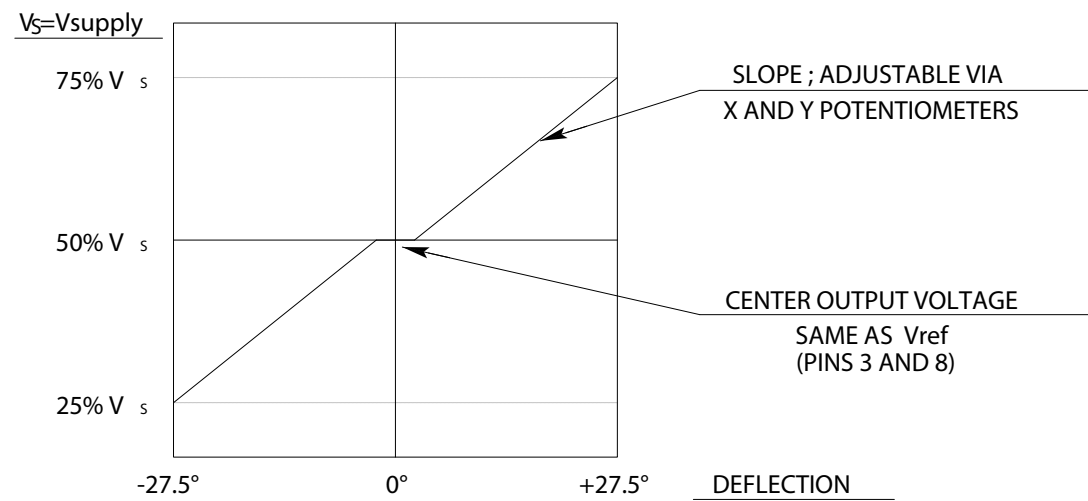
1 OF 2

DEFLECTION ANGLE vs. OUTPUT VOLTAGE

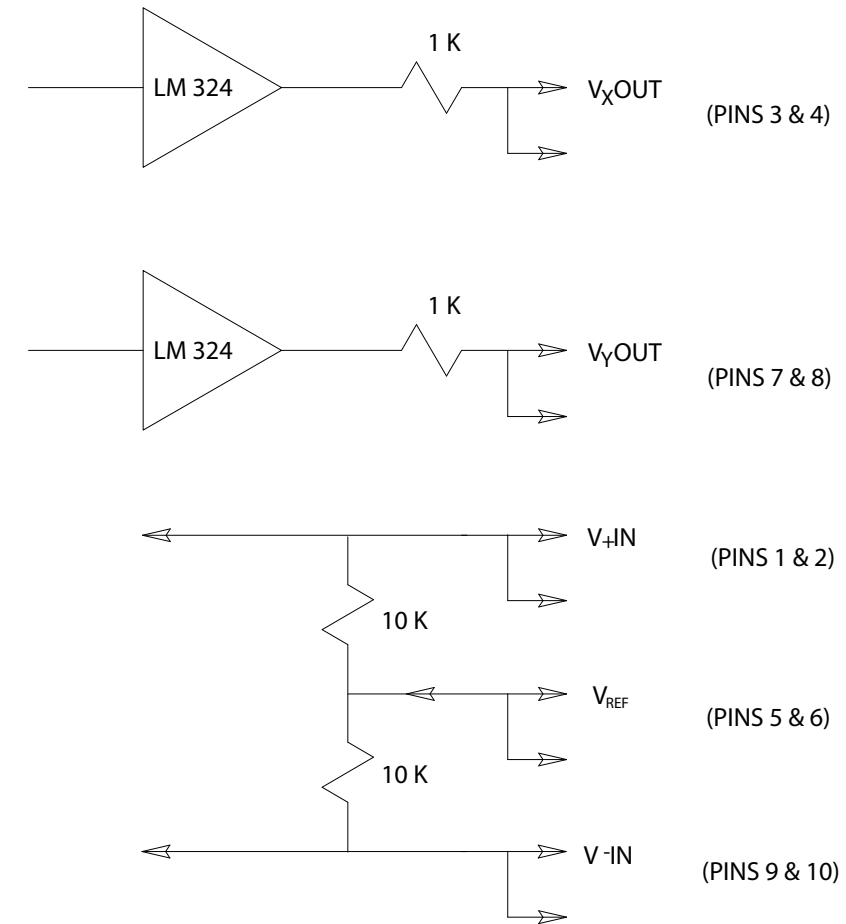
0° DEAD BEND OPTIONAL (MODEL H0000E)



±5° DEAD BEND STANDARD (MODEL H0000)



EQUIVALENT OUTPUT CIRCUITS



NOTE: CALL "CTI" FOR OPTIONAL VOLTAGE OUTPUTS

CTI ELECTRONICS CORPORATION	
110 Old South Ave., Stratford, CT 06615 - Tel 203 / 386-9779 - Fax 203 / 378-4986 - www.ctielelectronics.com	
TITLE: MODEL H0X00-N0 / N04	
REV. cDATE: 02-02-05	B 761043
APPROVED: VI / SJS	
2 OF 2	