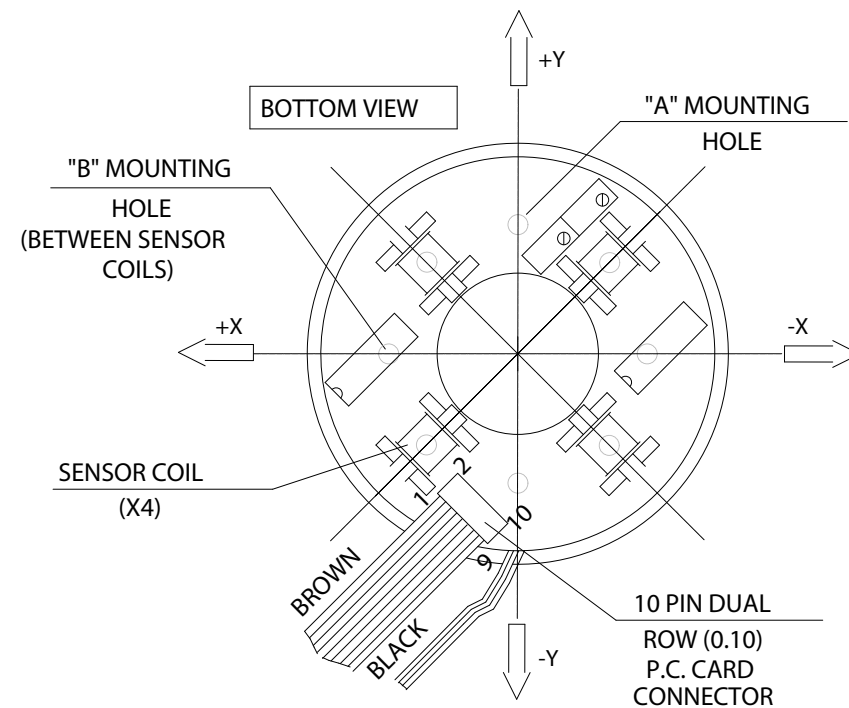
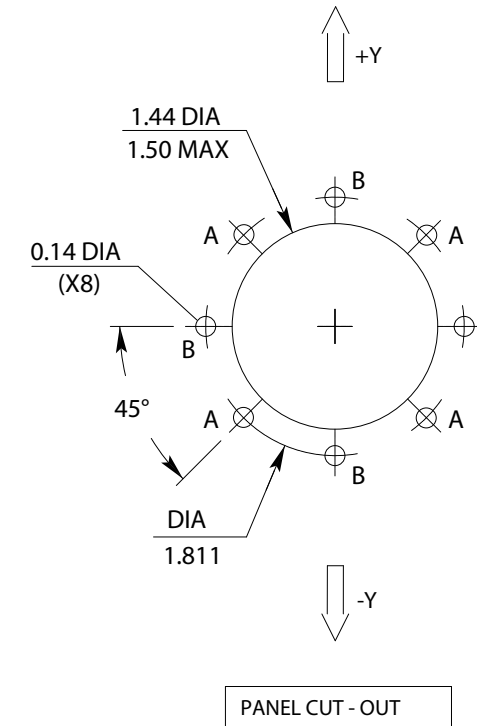
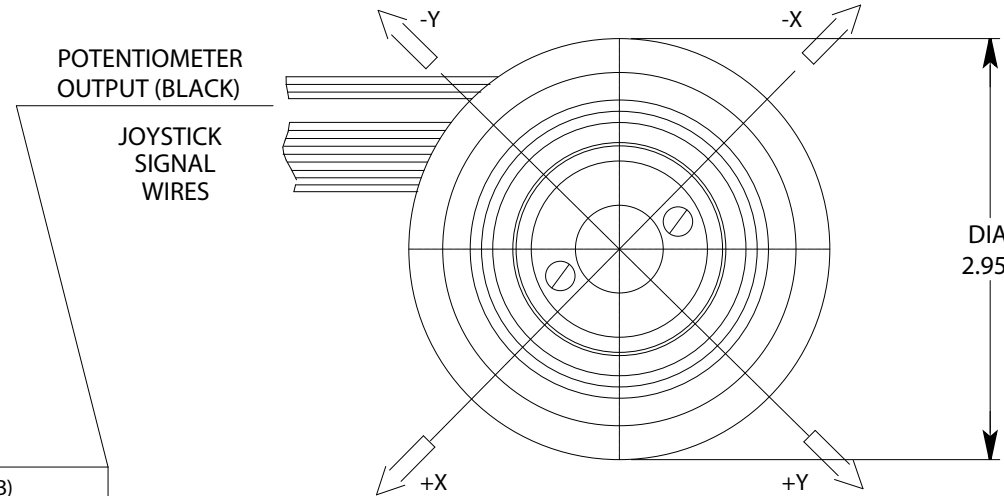
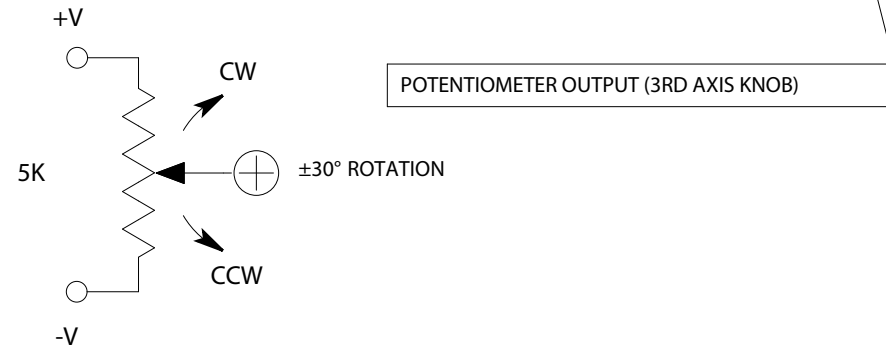
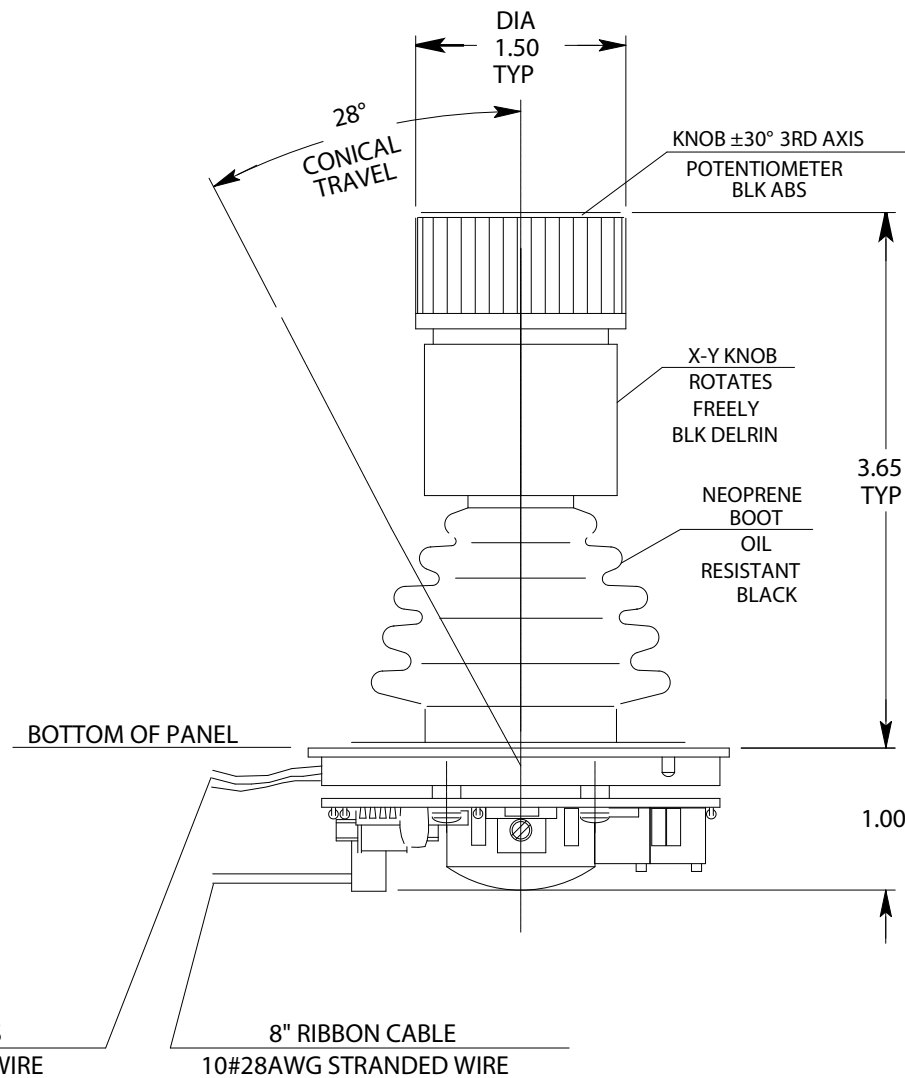


CONNECTOR WIRING:

PIN #	COLOR	FUNCTION
1 & 2	BRN/RED	POSITIVE SUPPLY
3 & 4	ORN/YEL	X - AXIS OUTPUT VOLT.
5 & 6	GRN/BLU	V REF (COMMON IF DUAL SUPPLY)
7 & 8	VIOL/GRY	Y - AXIS OUTPUT VOLT.
9 & 10	WHIT/BLK	NEG. SUPPLY (COMMON IF SINGLE SUPPLY)



**"CAUTION"**  
DO NOT REVERSE CONNECTOR



PANEL MOUNTING DETAIL:

1. USE #4-40, NON-MAGNETIC SCREWS. SCREWS SHOULD PROTRUDE .25 BELOW MOUNTING PLANE, BUT NOT MORE THAN .31 BELOW PANEL
2. MINIMUM MOUNTING REQUIRES 4 SCREWS (USE "A" HOLES) MAXIMUM SECURE MOUNTING REQUIRES 8 SCREWS (USE "A" AND "B" HOLES)
3. MODEL NUMBERS H0800 HAS APPROX. 5° DEADBAND MODEL NUMBERS H0800E NO DEADBAND
4. REFERENCE B761043 FOR ADDITIONAL DATA

<b>CTI</b> ELECTRONICS CORPORATION	
110 Old South Ave., Stratford, CT 06615 - Tel 203 / 386-9779 - Fax 203 / 378-4986 - www.ctielelectronics.com	
TITLE: <b>JOYSTICK MODEL H0800</b>	
REV. DATE: 02-02-05	<b>B 761225</b>
APPROVED: VI / SJS	