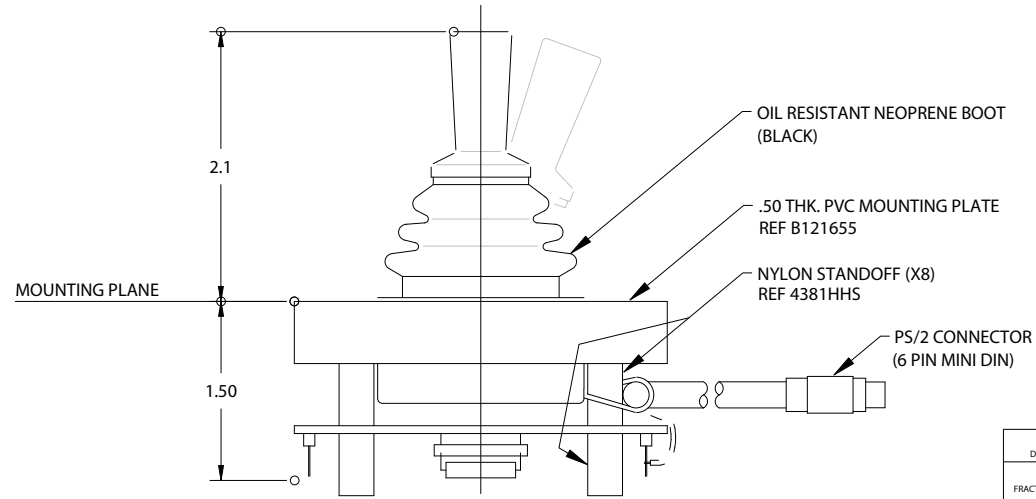
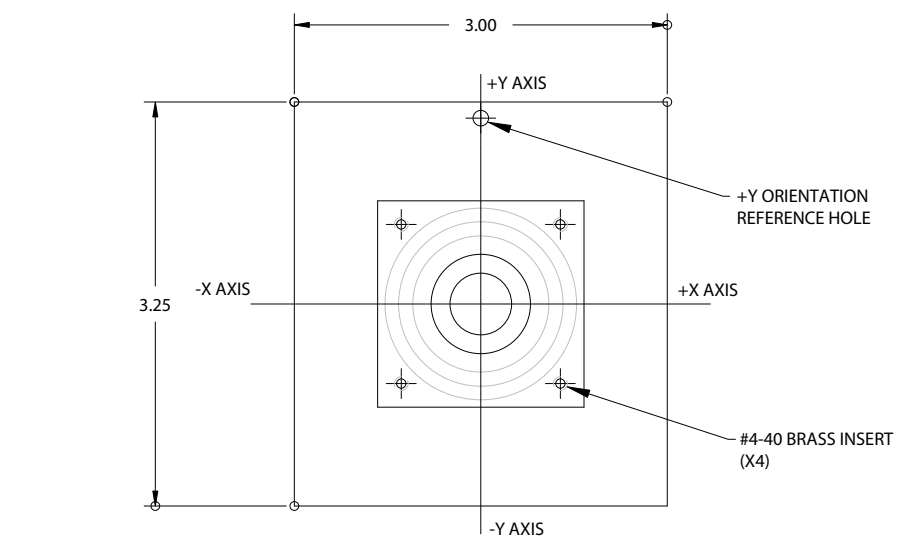
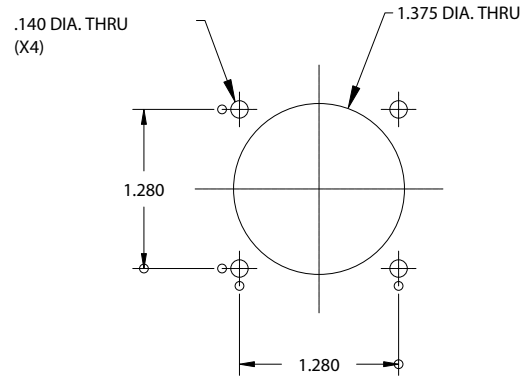


DWG. NO. 761368



REVISIONS			
LTR	DESCRIPTION	DATE	APPROVED
D	REVISED AND REDRAWN	03-16-01	



THESE DRAWINGS AND SPECIFICATIONS ARE THE PROPERTY OF CTI ELECTRONICS CORP, INC., AND ARE ISSUED IN STRICT CONFIDENCE, AND SHALL NOT BE REPRODUCED, OR COPIED, OR USED AS THE BASIS FOR THE MANUFACTURE OR SALE OF EQUIPMENT WITHOUT PRIOR WRITTEN PERMISSION

MOD KIT	NEXT ASS'Y	QTY	USED ON	MODEL
			REF P9006	
APPLICATION				

UNLESS OTHERWISE SPECIFIED: DIM AND TOL APPLY AFTER FINISH	ORIG DATE 03-16-01
DIMENSIONS ARE IN INCHES	DRAFTER S.SZERSZEN
FRACTIONS DECIMALS ANGLES	CHECKER
.XX .001 ±.005 ±1/2°	APPROVED
MACH CORN-.005 TO .015 R OR CHAM SH MATL.-BREAK EDGES .005 MAX R	APPROVED
ALL MACHINED SURFACES TO BE 125	APPROVED
MATERIAL SEE ABOVE	APPROVED
FINISH NONE	DESIGN ACTIVITY APPROVAL
	ECN

CTI ELECTRONICS CORP.	
SPEC. DWG. FOR MODEL H60P0-N24	
SIZE	761368
SCALE 1/1	WT - SHEET OF 1 1