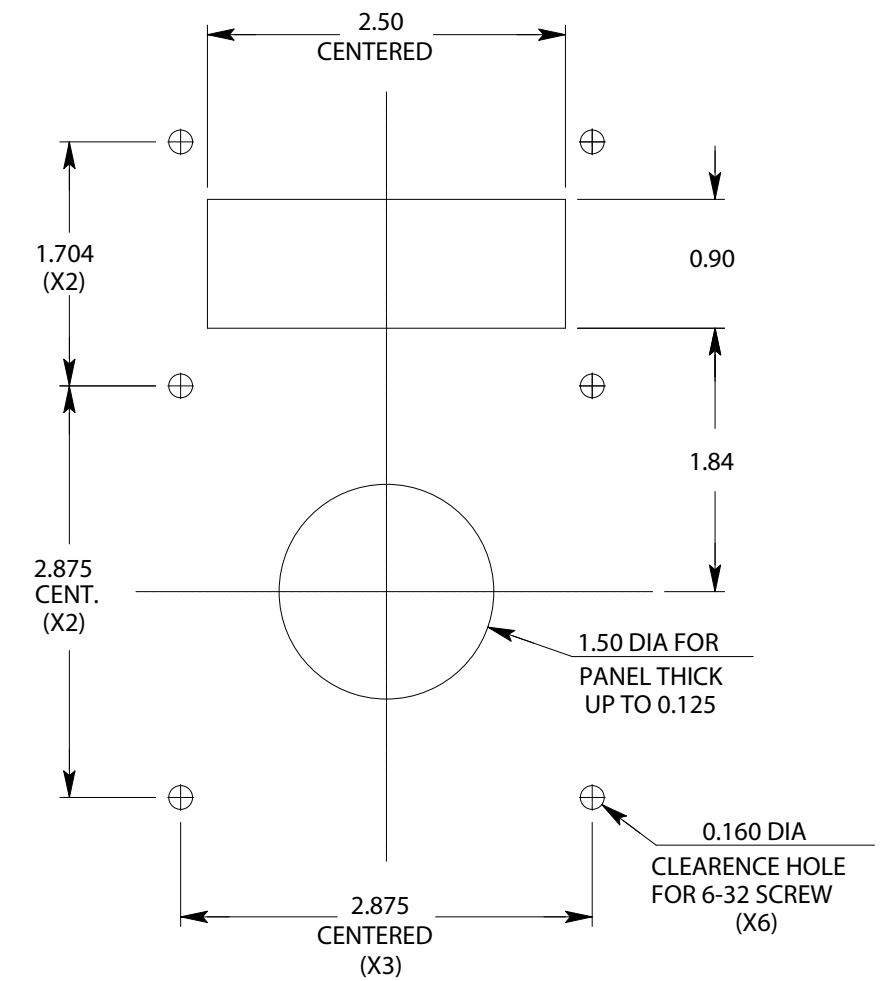


MOUNTING DETAIL



NOTES:

1. MATERIAL: TOP PLATE : SHEET METAL 0.048 THICK
BLACK FINISH
2. COVER: ALUMINUM, BLUE ANODIZED
3. MOUNTING: USE STAINLESS STEEL SCREWS #6-32 (X6)
.25 TO .50 MAX DEPTH BELOW MOUNTING SURFACE
4. H3XX9 HAS MIDDLE LED (L.SW. LATCH INDICATOR)
H30A3 HAS MIDDLE LED (L.SW. LATCH INDICATOR)
H30D9 HAS MIDDLE LED & RIGHTLED'S (L.SW. LATCH INDICATOR)
H3XX3 HAS NO LED'S
H3XX7 HAS 3 LED'S

CTI ELECTRONICS CORPORATION		
110 Old South Ave, Stratford, CT 06615 - Tel 203 / 386-9779 - Fax 203 / 378-4986 - www.ctielectronics.com		
TITLE: PANEL MOUNT JOYSTICK WITH INTERFACE MODEL H3XX3-N24 SERIES		
REV.	DATE:	03-08-05
APPROVED:	DRAWN:	VI / SJS
		B 761545