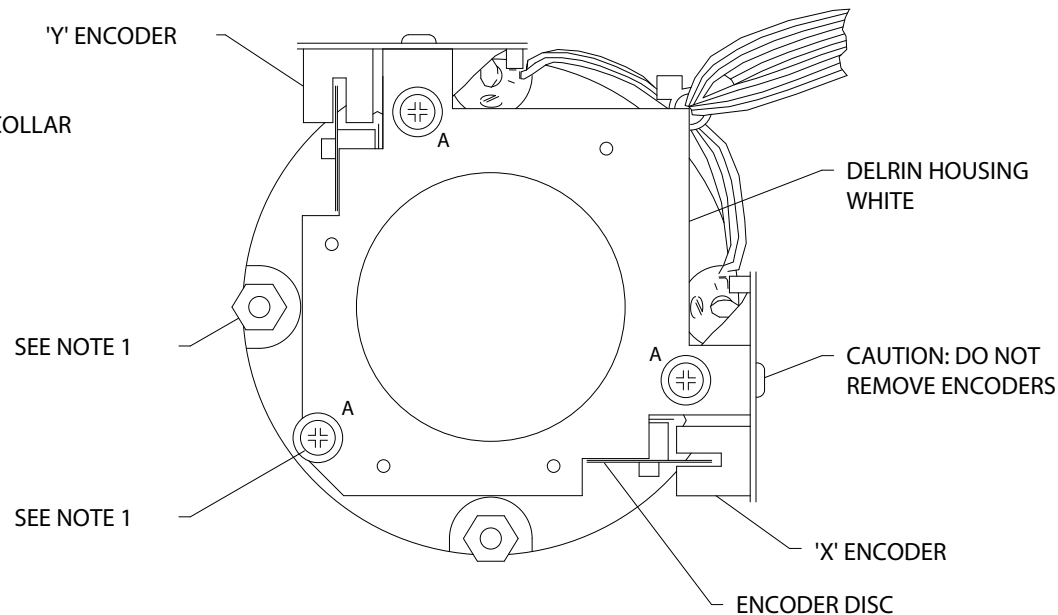
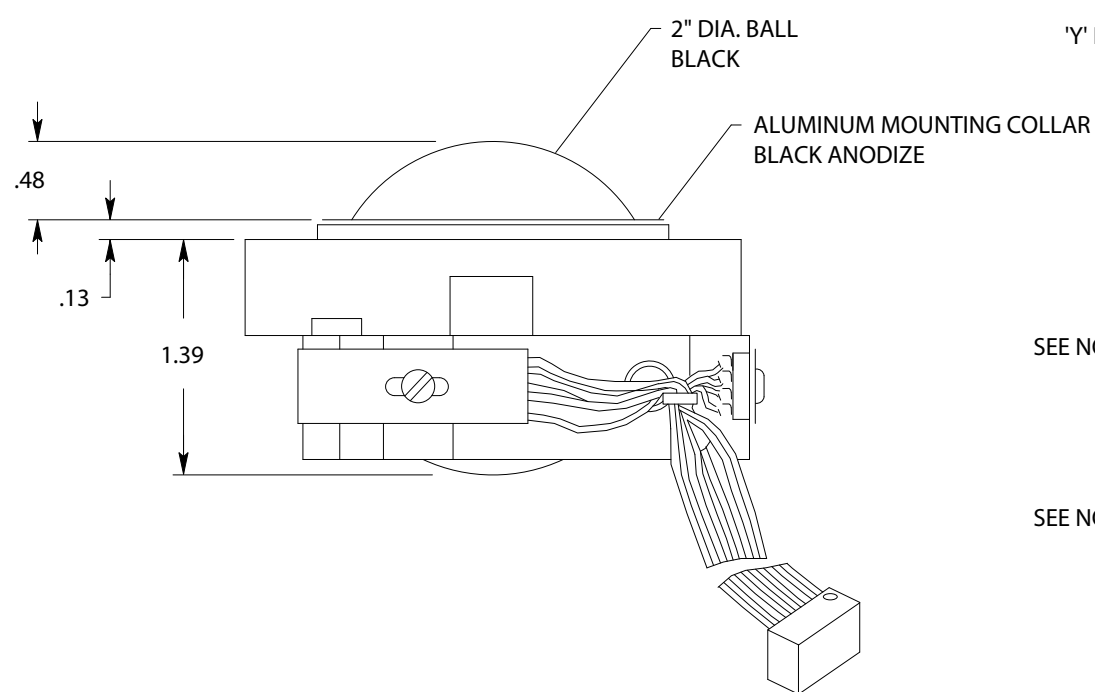


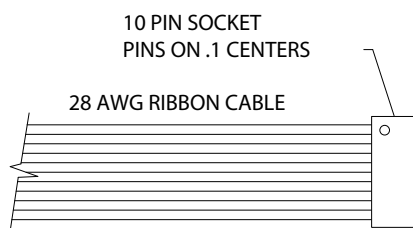
MOUNTING DETAIL



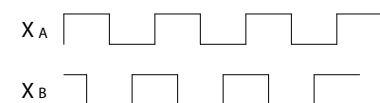
BOTTOM VIEW

NOTE:

- FOR BELOW PANEL MOUNTING, SECURE ASSEMBLY USING #4-40 x .50 MIN. TO .56 MAX. LONG SCREWS OR THREADED STUDS AND HEX NUTS (X4) OR THE METRIC EQUIVALENT. THIS MAY REQUIRE REMOVING THE 3 SCREWS MARKED 'A'. IF SO, CHECK IF A COPPER SHIM OR SHIMS ARE BETWEEN THE COLLAR AND HOUSING, THEY MUST BE REPLACED BEFORE REATTACHING THE HOUSING. BE CAREFUL NOT TO DAMAGE ENCODER DISCS. SCREWS MARKED 'A' ARE TO BE HAND TIGHTENED AND SECURED WITH A "LOCTITE" OR EQUIVALENT THREAD BONDING AGENT.
- MOUSE INTERFACE CARD AND SWITCH ASSEMBLY ARE AVAILABLE SEPARATELY. CONTACT "CTI" FOR DETAILS.



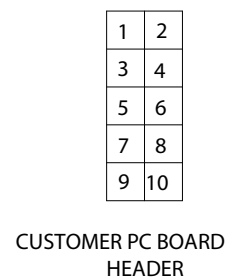
PIN	FUNCTION	COLOR
1	Y _B	BROWN
2	COMMON	RED
3	+5V	ORANGE
4	Y _A	YELLOW
5	—	GREEN
6	—	BLUE
7	X _A	VIOLET
8	+5V	GRAY
9	COMMON	WHITE
10	X _B	BLACK



OUTPUT WAVEFORMS
"POSITIVE DIRECTION SHOWN"

ORDERING INFORMATION:

- T8XXX-6.0 RIBBON CABLE IS 6.0 INCHES LONG
- T8XXX-12.0 RIBBON CABLE IS 12.0 INCHES LONG
- T8XXX-18.0 RIBBON CABLE IS 18.0 INCHES LONG



CTI ELECTRONICS CORPORATION	
110 Old South Ave., Stratford, CT 06615 - Tel 203 / 386-9779 - Fax 203 / 378-4986 - www.ctieletronics.com	
TITLE: MODEL T8XXX SERIES 2.0" DIA. TRACKBALL	
REV. DATE: 10-13-05	B761644-2
APPROVED: VI / SJS	