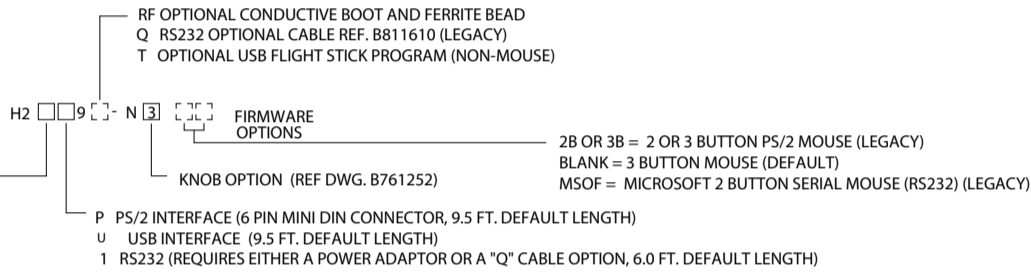


NOTES :

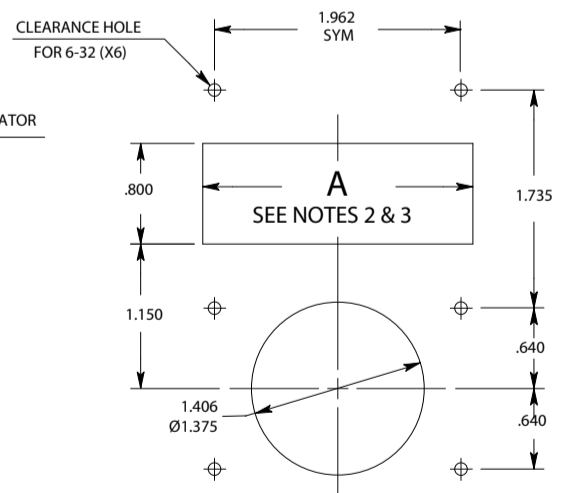
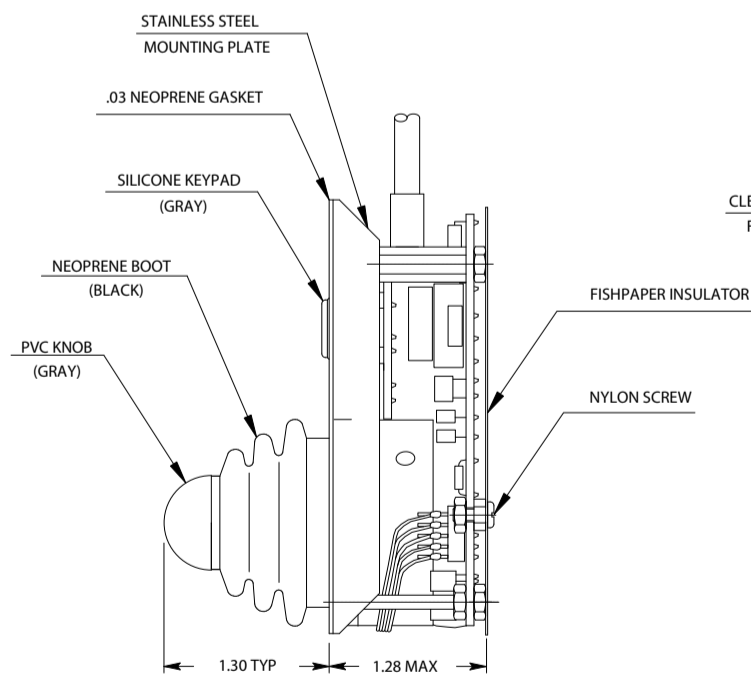
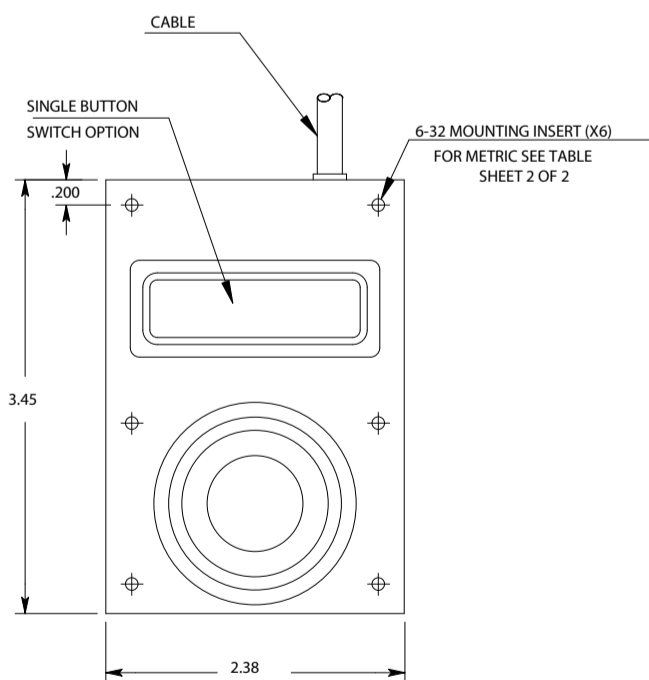
1. CTI REFERENCE: H2XX3A, HOUSING USES ELASTOMER KEY PAD
2. "OPTIONAL" MODEL WITH MECHANICAL SWITCHES
CTI REFERENCE: H2XX3, HOUSING

ORDERING INFORMATION

- 0 STANDARD FOR #6-32 MOUNTING
- 1 OPTIONAL RS232 POWER ADAPTOR CABLE
- 3 OPTIONAL METRIC M3 MOUNTING (WAS H24 9 METRIC M4 MOUNTING - LEGACY)



CTI ELECTRONICS CORPORATION 110 OLD SOUTH AVE, STRATFORD, CT 06615 WWW.CTIELECTRONICS.COM			
INDUSTRIAL MOUSE(tm) PANEL MOUNT H20X9-NX SERIES			
APPROVED		B 761669	REV
REV 1	DATE 01-06-10		I
DRAWN PSB	SCALE 1-1	SHEET 1 OF 2	

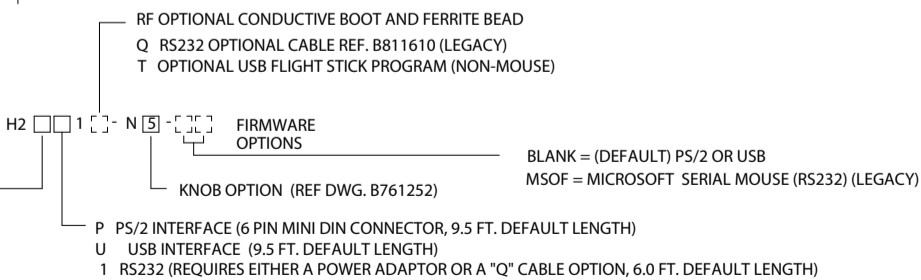


NOTES :

1. CTI REFERENCE: H2XX3A, HOUSING USES ELASTOMER KEY PAD
2. A = 2.100 DIMENSION FOR ELASTOMER SILICONE SWITCH AS SHOWN
3. OPTIONAL: SPECIAL ORDER MECHANICAL SWITCH A = 2.150 DIMENSION
4. DEBURR SHARP EDGES

ORDERING INFORMATION

- 0 STANDARD FOR #6-32 MOUNTING
- 1 OPTIONAL RS232 POWER ADAPTOR CABLE
- 3 OPTIONAL METRIC M3 MOUNTING (WAS H24 1 METRIC M4 MOUNTING - LEGACY)



CTI ELECTRONICS CORPORATION 110 OLD SOUTH AVE, STRATFORD, CT 06615 WWW.CTIELECTRONICS.COM			
INDUSTRIAL MOUSE(tm) PANEL MOUNT H20XI-NX SERIES			
APPROVED		B 761669	REV
REV 1	DATE 01-06-10		I
DRAWN PSB	SCALE 1-1	SHEET 2 OF 2	