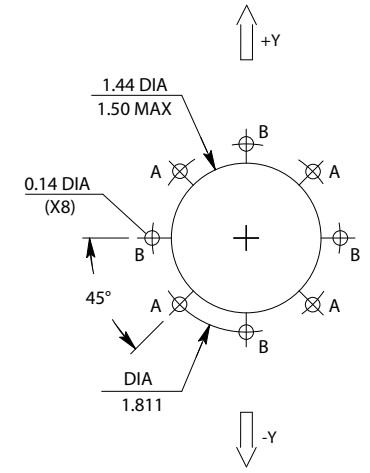
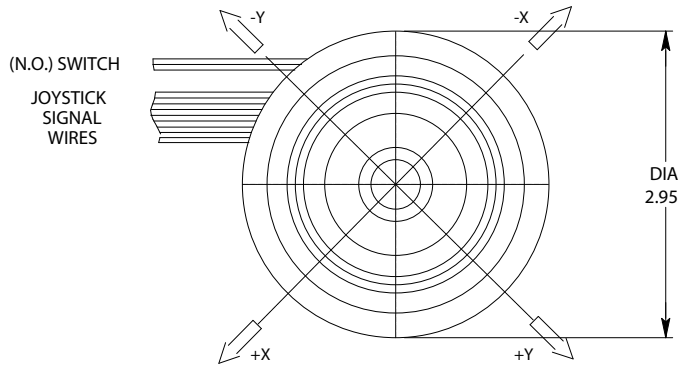
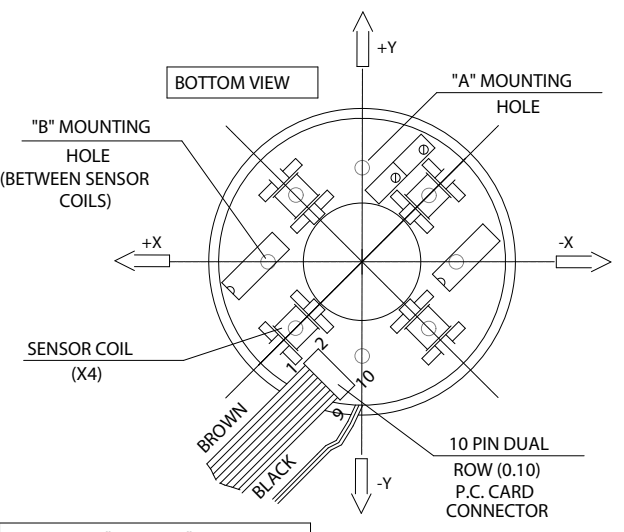


CONNECTOR WIRING:

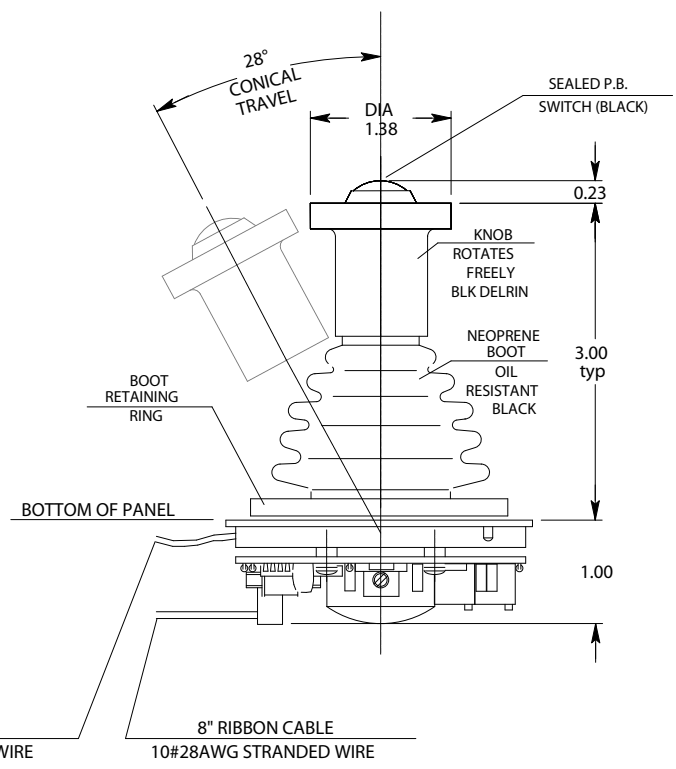
PIN #	COLOR	FUNCTION
1 & 2	BRN/RED	POSITIVE SUPPLY
3 & 4	ORN/YEL	X - AXIS OUTPUT VOLT.
5 & 6	GRN/BLU	V REF (COMMON IF DUAL SUPPLY)
7 & 8	VIOL/GRY	Y - AXIS OUTPUT VOLT.
9 & 10	WHIT/BLK	NEG. SUPPLY (COMMON IF SINGLE SUPPLY)



PANEL CUT - OUT



"CAUTION"  
DO NOT REVERSE CONNECTOR



PANEL MOUNTING DETAIL:

1. USE 4-40, NON MAGNETIC SCREWS SHOULD PROTRUDE 0.25 BELOW MOUNTING PLANE. SCREW MUST NOT PROTRUDE MORE THEN 5/16 BELOW PANEL
2. HOLES LABELLED "A" FOR MOUNTING CONTROL HANDLE WITH SAME HOLES USED TO HOLD OPTIONAL BOOT RETAINING RING  
FOR THE MOST WATERPROOF INSTALLATION ,IF THE PANEL IS LESS THEN 0.12 THICK, BOOT MAY BE INSTALLED BELOW PANEL , IN WHICH CASE BOOT RETAINING RING IS NOT USED.
3. HOLES LABELLED "B" FOR MORE SECURE MOUNTING USING 8 SCREWS. "B" SCREWS HOLD JOYSTICK TO PANEL "A" SCREWS HOLD OPTIONAL BOOT RETAINING RING TO PANEL
4. REF. B761043 FOR ADDITIONAL DATA
5. MODEL NO.'S H0000-N42 HAS APPROX. 5° DEADBAND  
MODEL NO.'S H0000E-N42 NO DEADBAND

CTI ELECTRONICS CORPORATION	
110 Old South Ave., Stratford, CT 06615 - Tel 203 / 386-9779 - Fax 203 / 378-4986 - www.ctielelectronics.com	
TITLE: SPECIFICATION DRAWING	
MODEL H0000-N42	
REV. a	DATE: 9-08-98
APPROVED:	DRAWN: Vladimir Ilic
B 761716	