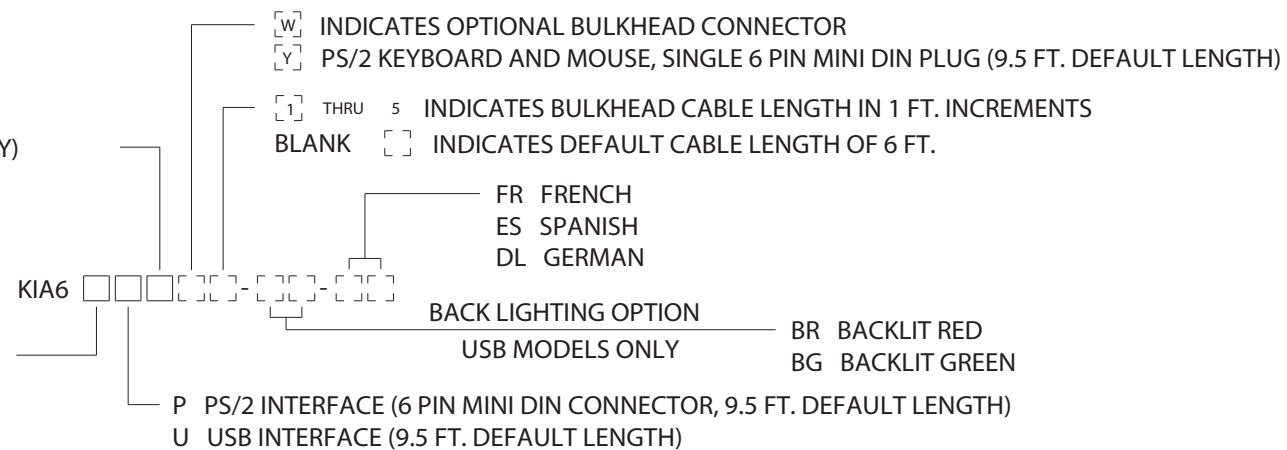


ORDERING INFORMATION:

- 0 GRAY ELASTOMER (LEGACY)
- 1 GRAY ELASTOMER
- 4 BLACK ELASTOMER

- 0 ALUMINUM ENCLOSURE, PAINTED BEIGE
- 4 ALUMINUM ENCLOSURE, PAINTED BLACK
- 6 STAINLESS STEEL ENCLOSURE



| | |
|--|-------------------|
| CTI ELECTRONICS CORPORATION | |
| 110 Old South Ave., Stratford, CT 06615 - Tel 203 / 386-9779 - Fax 203 / 378-4986 - www.ctielelectronics.com | |
| TITLE: NEMA 4/4X/IP66 KEYBOARD KIA6000 ARROWMOUSE (tm) SERIES | |
| REV. G | DATE: 03-09-07 |
| APPROVED: | DRAWN: S.SZERSZEN |
| B761728 | |