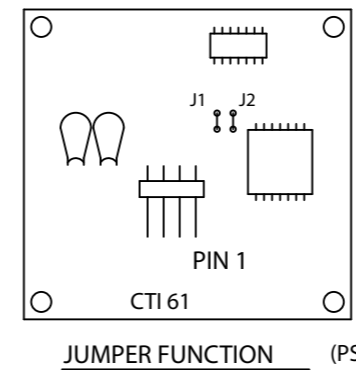
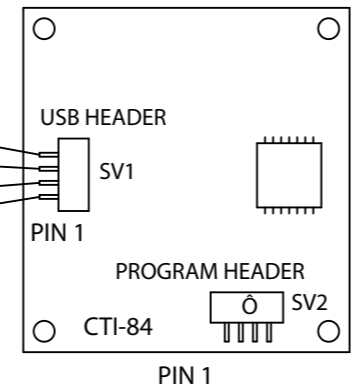


**USB FUNCTIONS**

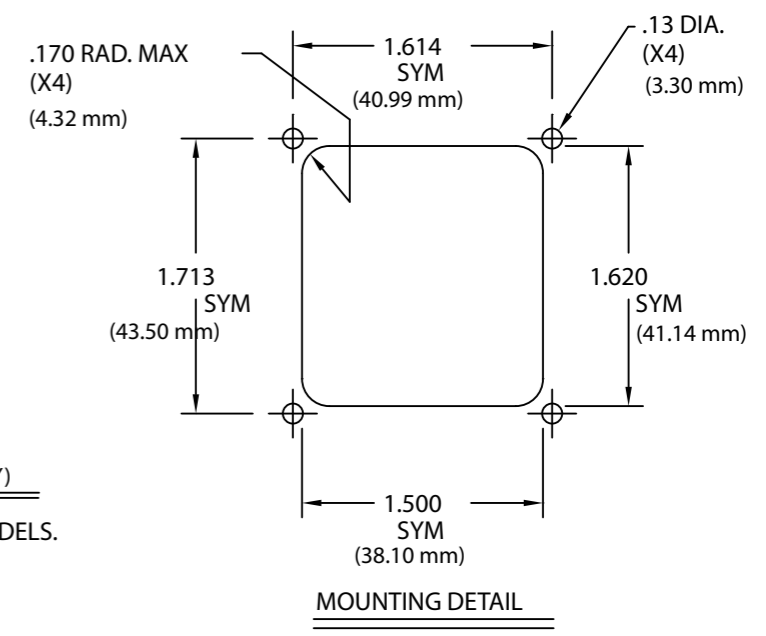
COMMON — BLACK  
 D+ — WHITE  
 D- — GREEN  
 +5V — RED



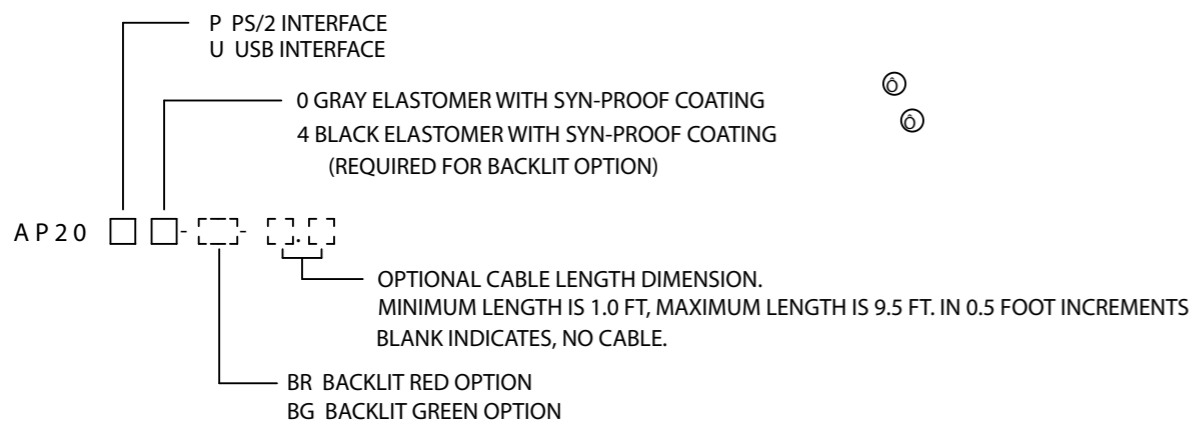
**JUMPER FUNCTION (PS/2 ONLY)**  
 JUMPER J2 IS REQUIRED FOR BACKLIT MODELS.

**PS/2 HEADER OUTPUT**

PIN NO.	FUNCTION	"CTI" COLORS
1	CLOCK	YELLOW
2	DATA	BLACK
3	+5 VOLTS	RED
4	COMMON	GREEN



**ORDERING INFORMATION:**



- NOTES:**
1. ALL KEY SWITCHES HAVE HARD GOLD PLATED CONTACTS, RATED AT 10MM ACTIVATIONS.
  2. OUTPUT CONNECTOR HAS GOLD PLATED .025 SQUARE PINS ON .1" CENTERS
  3. THIS PRODUCT CONTAINS STATIC SENSITIVE COMPONENTS, USE APPROPRIATE PRECAUTIONS WHEN HANDLING.
  4. POWER REQUIREMENTS: (PS/2) 35mA TYPICAL AT 5 VOLTS  
 BACK LIT MODEL AP2000-(BX) 55mA MAX AT 5 VOLTS

**CTI ELECTRONICS CORPORATION**  
 110 OLD SOUTH AVE, STRATFORD, CT 06615  
 WWW.CTIELECTRONICS.COM

**NEMA 4 (IP66) OEM INDUSTRIAL ARROWMOUSE**  
 (ARROW STYLE POINTING DEVICE)  
 AP2000 SERIES

**761730** SHEET 1 OF 1 REV. E

APPROVED DATE 09-16-11 DRAWN BY S.S./PSB