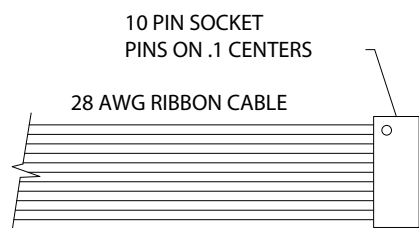
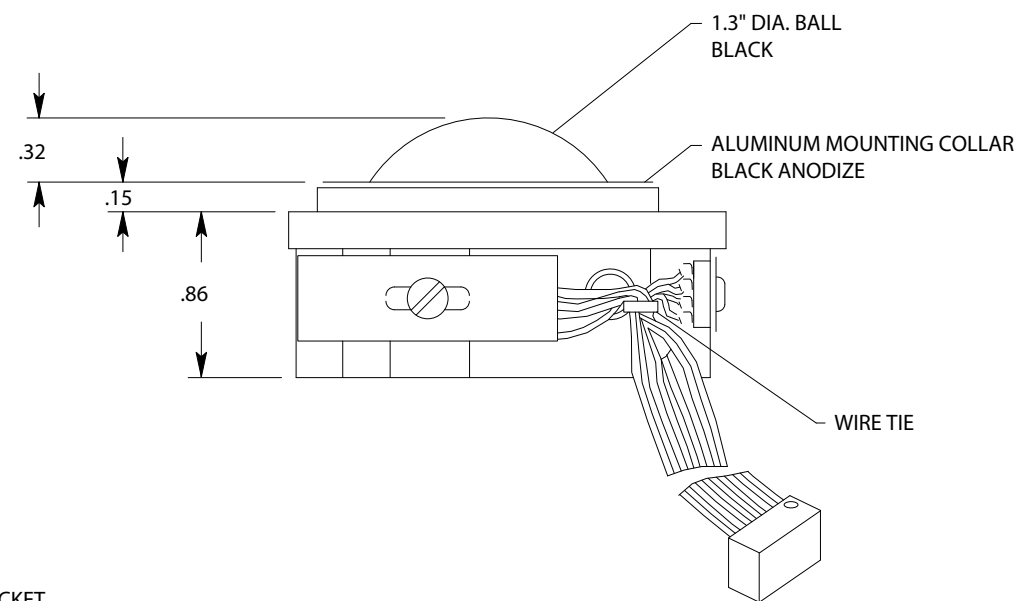


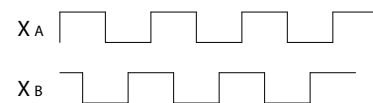
MOUNTING DETAIL



1	2
3	4
5	6
7	8
9	10

CUSTOMER PC BOARD HEADER

PIN	FUNCTION	COLOR
1	Y <sub>B</sub>	BROWN
2	COMMON	RED
3	+5V	ORANGE
4	Y <sub>A</sub>	YELLOW
5	—	GREEN
6	—	BLUE
7	X <sub>A</sub>	VIOLET
8	+5V	GRAY
9	COMMON	WHITE
10	X <sub>B</sub>	BLACK



OUTPUT WAVEFORMS

"POSITIVE DIRECTION SHOWN"

ORDERING INFORMATION:

T6XXX-6.0 RIBBON CABLE IS 6.0 INCHES LONG  
 T6XXX-12.0 RIBBON CABLE IS 12.0 INCHES LONG  
 T6XXX-18.0 RIBBON CABLE IS 18.0 INCHES LONG

NOTE:

1. MOUSE INTERFACE CARD AND SWITCH ASSEMBLY ARE AVAILABLE SEPARATELY. CONTACT "CTI" FOR DETAILS.

<b>CTI</b> ELECTRONICS CORPORATION	
110 Old South Ave., Stratford, CT 06615 - Tel 203 / 386-9779 - Fax 203 / 378-4986 - www.ctielectronics.com	
TITLE: <b>MODEL T6XXX SERIES 1.3" DIA. TRACKBALL</b>	
REV. DATE: 10-19-05	<b>B761746</b>
APPROVED: DRAWN: VI / SJS	