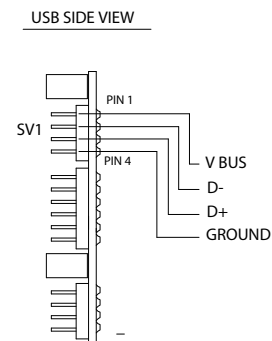
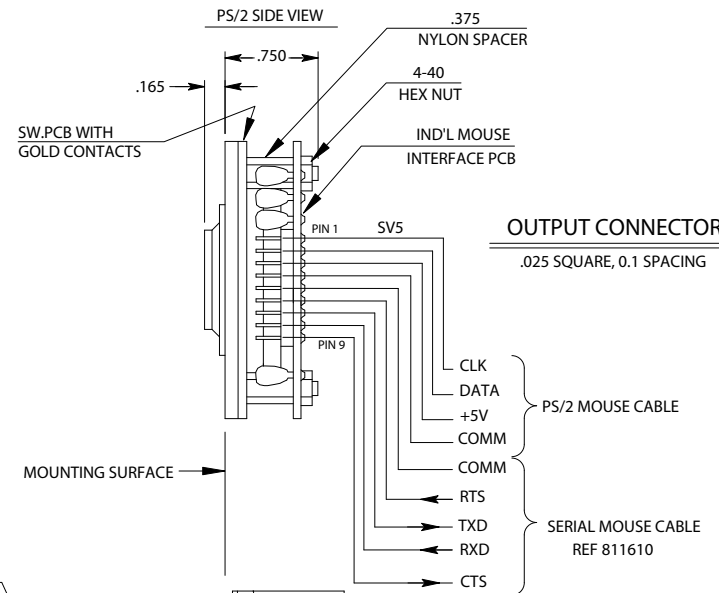
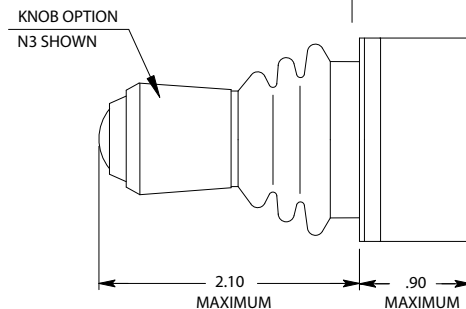
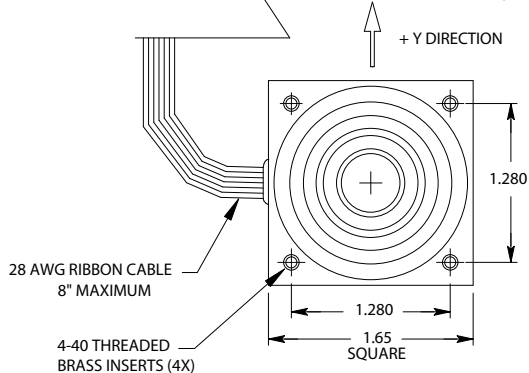
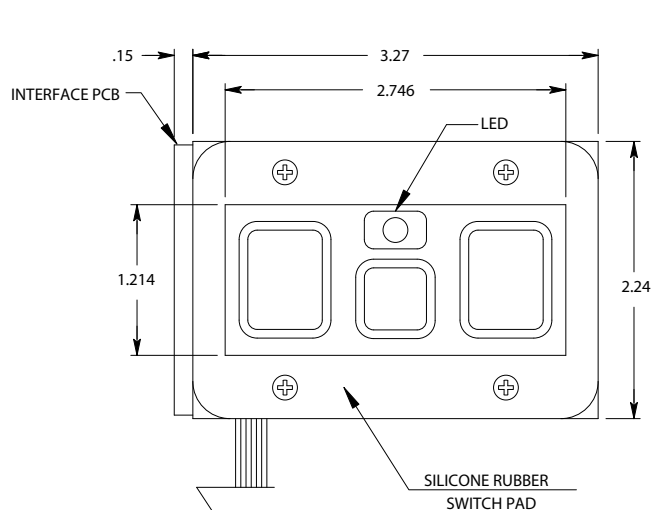
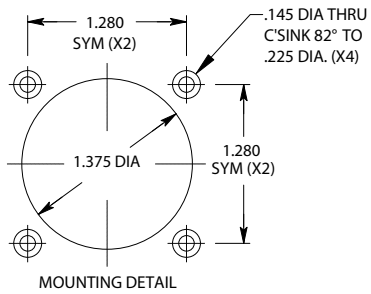
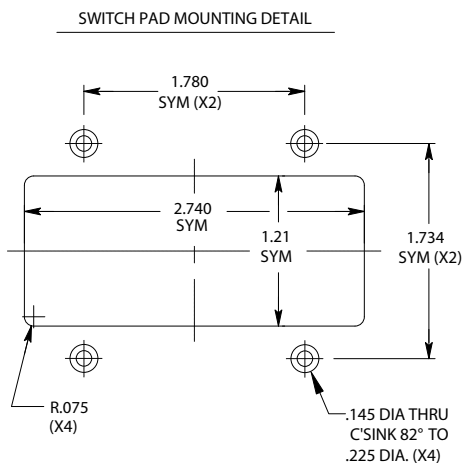


B761768-2



ORDERING INFORMATION:

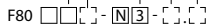
- 5 BLACK ELASTOMER
- 9 GRAY ELASTOMER

BLANK INDICATES NO OPTIONS TO JOYSTICK

— KNOB OPTION (REF DWG. B761252)

— OPTIONAL CABLE LENGTH DIMENSION, IN 0.5 FOOT INCREMENTS (MINIMUM LENGTH IS 1.0 FT, MAXIMUM LENGTH IS 9.5 FT)

BLANK [] INDICATES NO CABLE



- P PS/2 INTERFACE
- U USB INTERFACE

1. RS232, (FOR STANDARD SERIAL MOUSE APPEND "MSOF") NO CABLE ATTACHED:

JOYSTICK OPTIONS	
G	MAXIMUM COMPRESSION SPRING
Z	CONFORMAL COATING
RF	CONDUCTIVE BOOT AND FERRITE BEAD
D	LOW TEMPERATURE RANGE (-40°C TO +80°C)
N	NEUTRAL SWITCH (AVAILABLE ON +5V MODELS ONLY)
T	FLIGHT STICK PROGRAM USB ONLY (NON-MOUSE)

CTI ELECTRONICS CORPORATION
110 OLD SOUTH AVE, STRATFORD, CT 06615
WWW.CTIELECTRONICS.COM

OEM INDUSTRIAL MOUSE,® OR
USB FLIGHTSTICK F8000-NX SERIES
(US STANDARD)

B 761768-2

REV. J

DRAWN PSB

DATE 01-27-10

SHEET 1 OF 1