

ANALOG JOYSTICK VOLTAGE OUTPUTS

MODEL NO.	MIN DEFLECT.	CENTER	MAX DEFLECT.
M2003-N3-P0322	0 VOLT	1.25 VOLTS	2.5 VOLTS
M2003-N3-P0323	0 VOLT	2.5 VOLTS	5 VOLTS

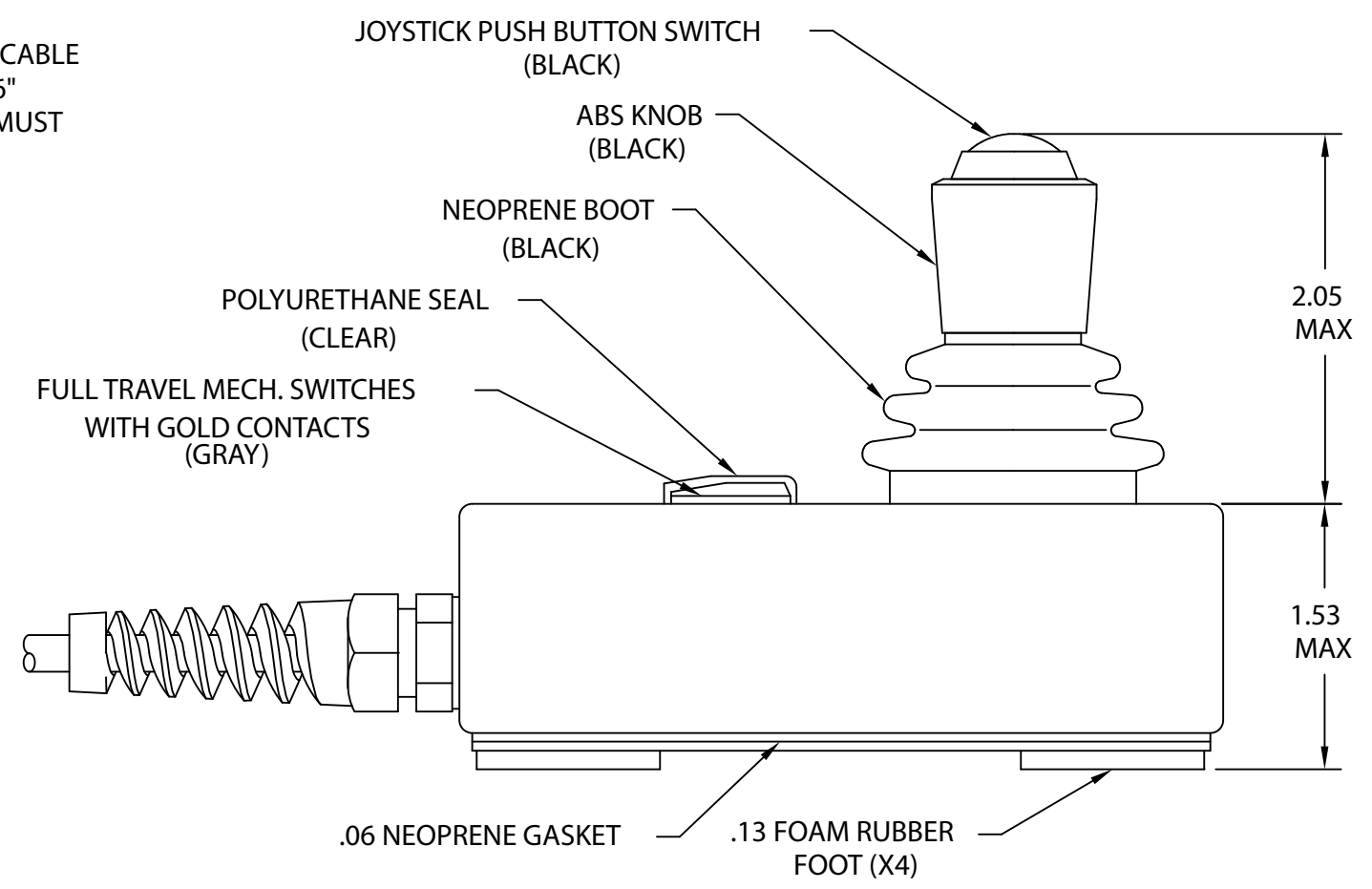
ANALOG JOYSTICK VOLTAGE OUTPUTS

MODEL NO.	MIN DEFLECT.	CENTER	MAX DEFLECT.
M2003-N3-P0511	0 VOLT	1.25 VOLTS	2.5 VOLTS
M2003-N3-P0512	0 VOLT	2.5 VOLTS	5 VOLTS

CABLE SPEC:

10 FOOT OF 28 AWG, 10 CONDUCTOR, SHIELDED CABLE
 END IS STRIPPED AND TINNED, CUT LENGTH 10'- 6"
 NO CONNECTOR ON END OF CABLE. CUSTOMER MUST
 INSTALL OWN CONNECTOR!

COLOR	FUNCTION
	SHIELD
RED	+5 VOLTS
BLACK	COMMON <small>J'ST & J'ST P.B. SWITCH</small>
ORANGE	X-AXIS
WHITE	Y-AXIS
WHITE/BLACK	P.B. SWITCH
GREEN	SWITCH COMMON
RED/BLACK	LEFT SWITCH
GREEN/BLACK	MIDDLE SWITCH
BLUE	RIGHT SWITCH



NOTE

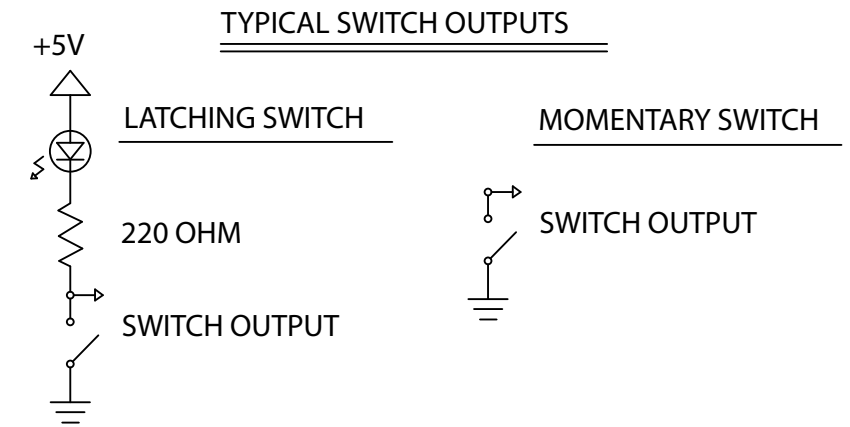
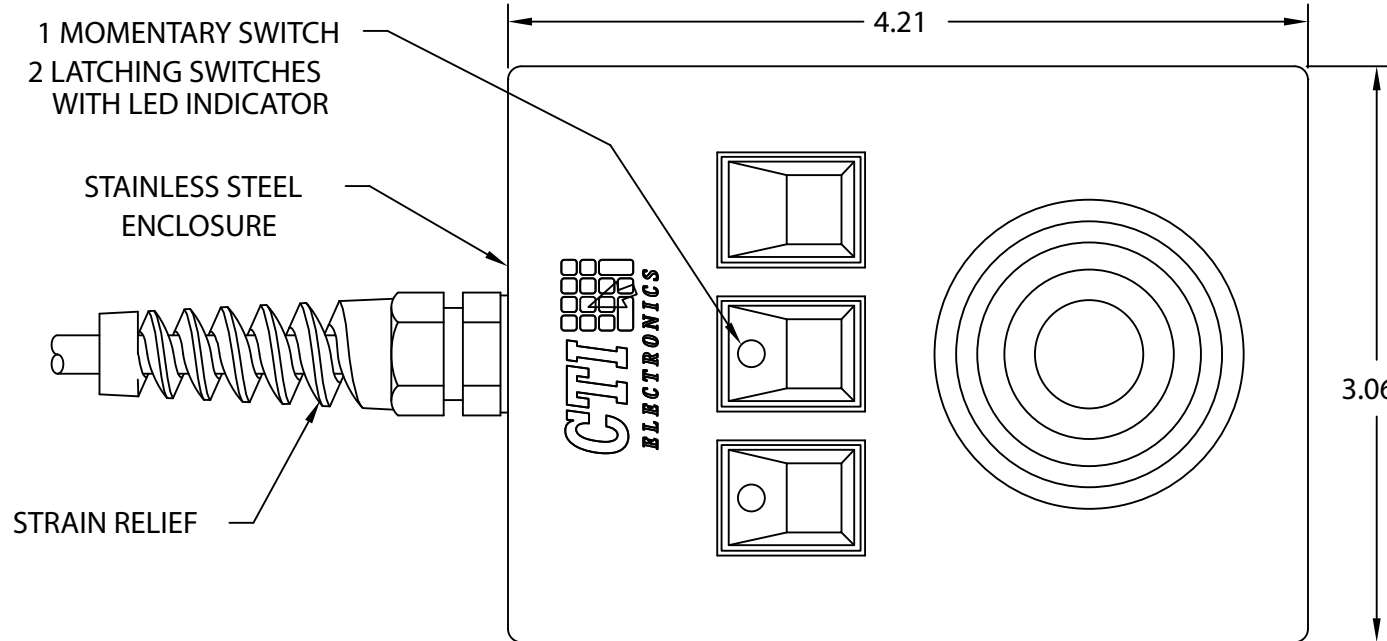
FOR OPTIONAL HOLDER SEE SPEC. DWG.
 A761727

CTI ELECTRONICS CORPORATION	
WWW.CTIELECTRONICS.COM	
NEMA 4X ANALOG MOTION CONTROLLER FOR COMPUMOTOR	
761791	SHEET 1 OF 3
APPROVED	DATE 12-06-10
	REV. B DRAWN BY PSB

CABLE SPEC:

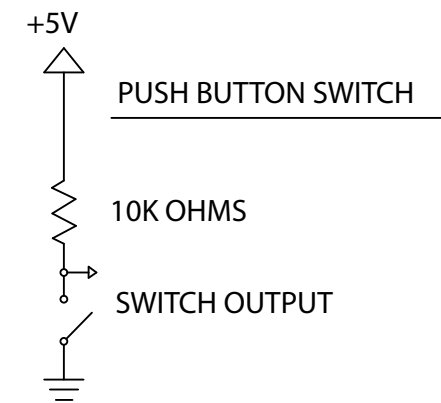
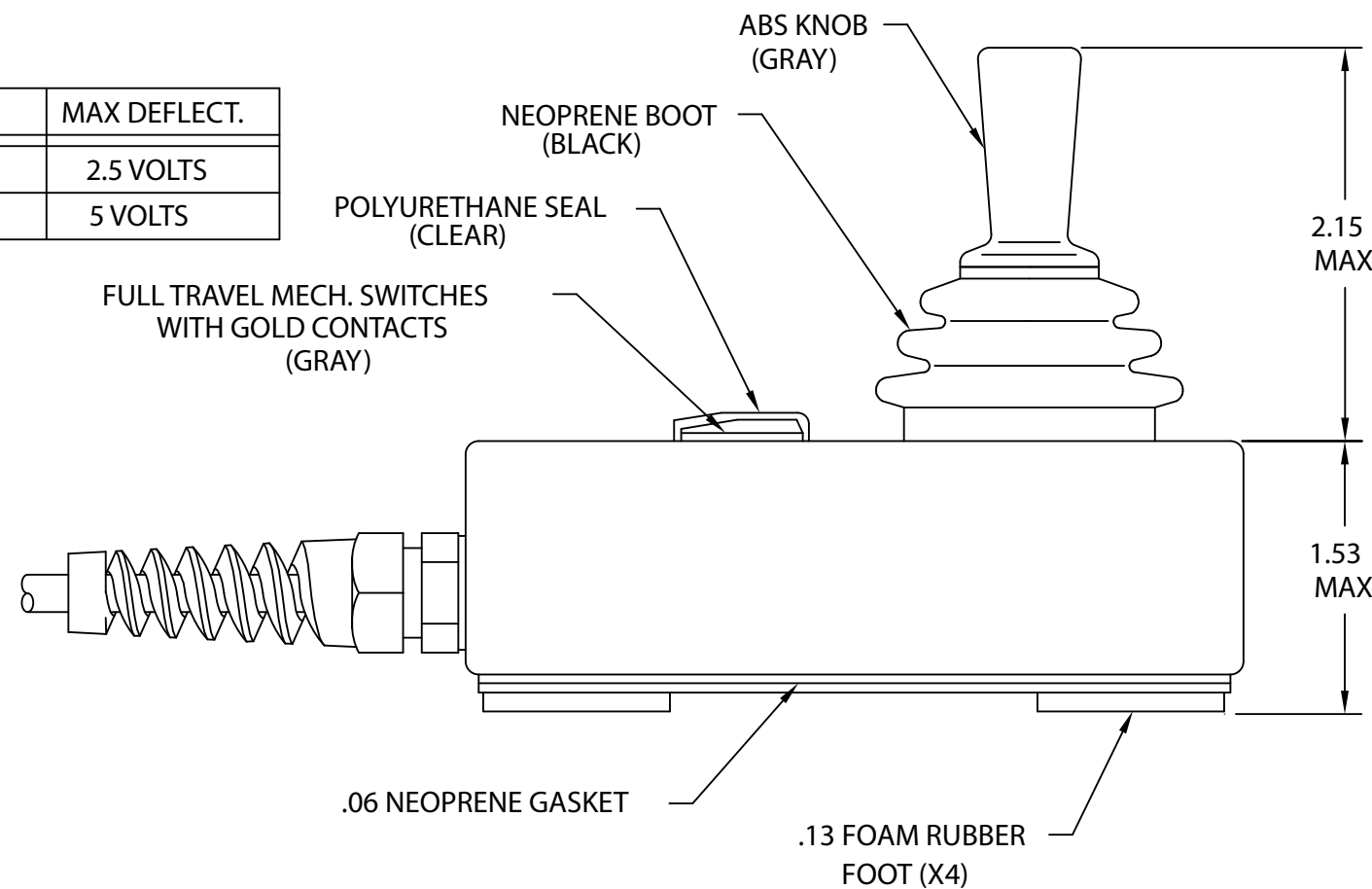
10 FOOT OF 28 AWG, 8 CONDUCTOR, SHIELDED CABLE
 END IS STRIPPED AND TINNED, CUT LENGTH 10'- 6"
 NO CONNECTOR ON END OF CABLE. CUSTOMER MUST
 INSTALL OWN CONNECTOR!

COLOR	FUNCTION
	SHIELD
RED	+5 VOLTS
BLACK	COMMON <small>J'ST & J'ST P.B. SWITCH</small>
ORANGE	X-AXIS
WHITE	Y-AXIS
GREEN	SWITCH COMMON
RED/BLACK	LEFT SWITCH
WHITE/BLACK	MIDDLE SWITCH
BLUE	RIGHT SWITCH



ANALOG JOYSTICK VOLTAGE OUTPUTS

MODEL No	MIN DEFLECT.	CENTER	MAX DEFLECT.
M2003-N24-P0283	0 VOLT	1.25 VOLTS	2.5 VOLTS
M2003-N24-P0284	0 VOLT	2.5 VOLTS	5 VOLTS



NOTE

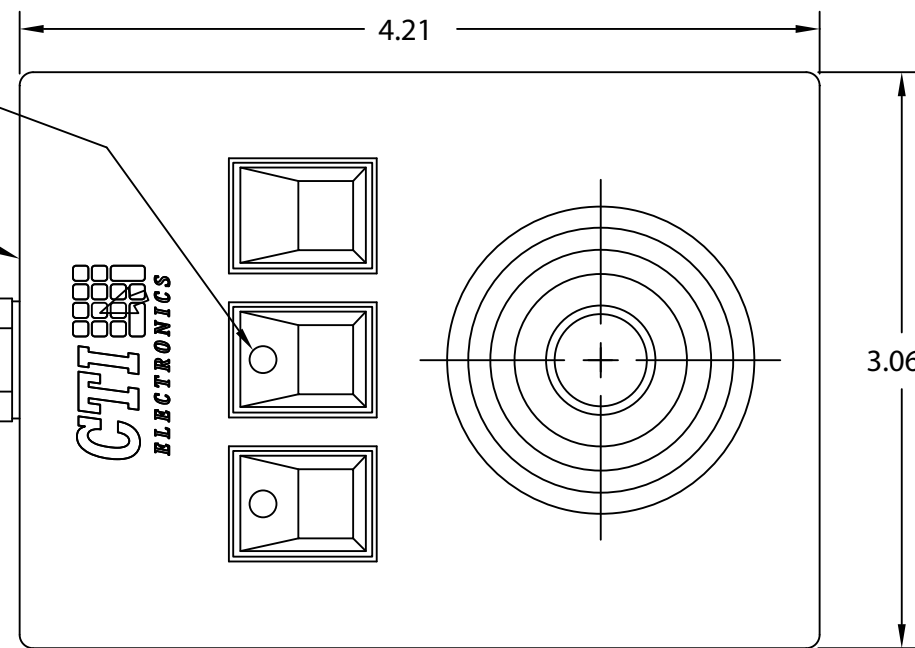
FOR OPTIONAL HOLDER SEE SPEC. DWG.
 A761727

CTI ELECTRONICS CORPORATION	
WWW.CTIELECTRONICS.COM	
NEMA 4X ANALOG MOTION CONTROLLER FOR COMPUMOTOR	
761791	REV. B
APPROVED	DRAWN BY PSB
SHEET 2 OF 3	DATE 12-06-10

1 MOMENTARY SWITCH
2 LATCHING SWITCHES
WITH LED INDICATOR

STAINLESS STEEL
ENCLOSURE

STRAIN RELIEF



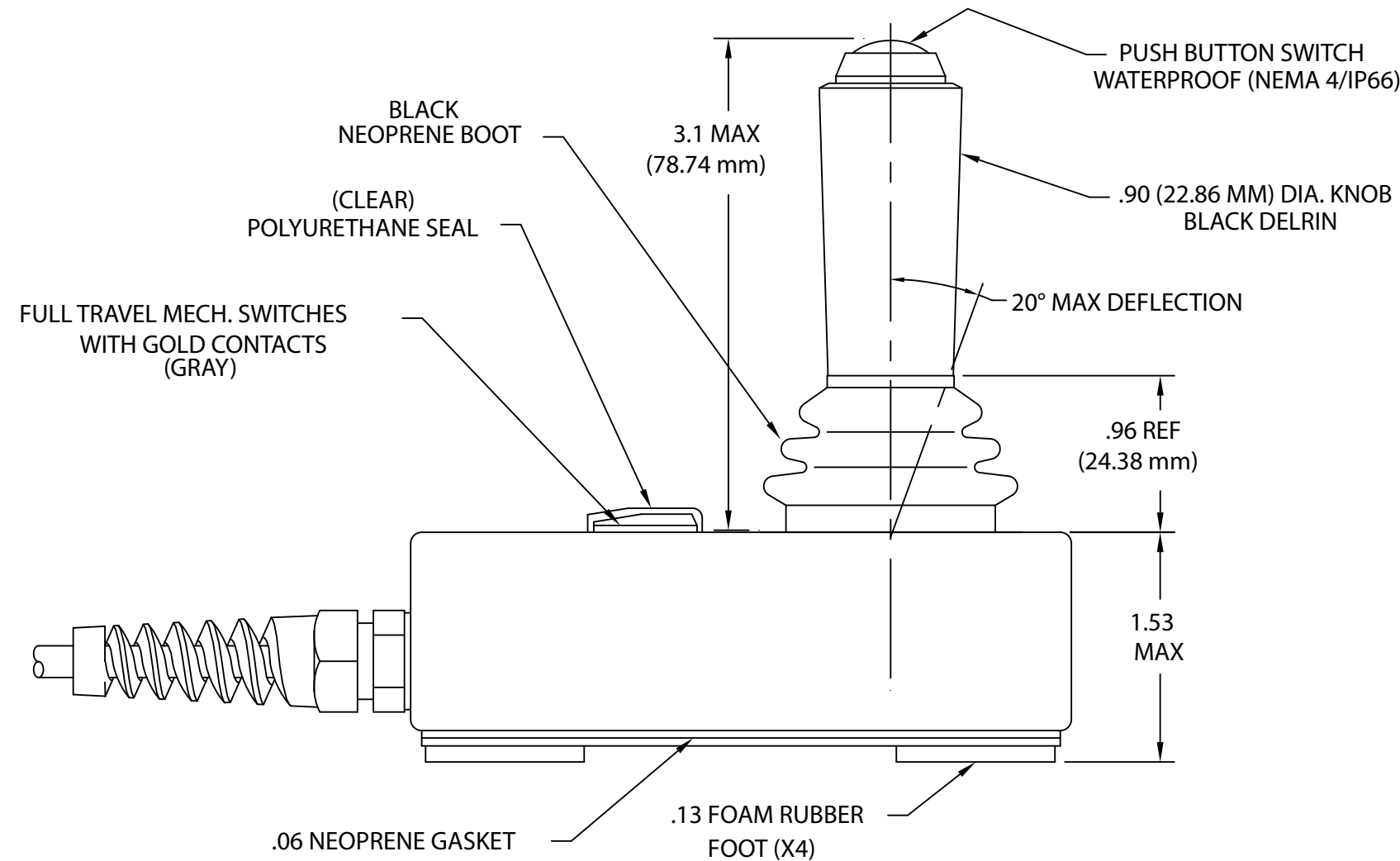
ANALOG JOYSTICK VOLTAGE OUTPUTS

MODEL No	MIN DEFLECT.	CENTER	MAX DEFLECT.
M2003-N33-P1117	0 VOLT	1.25 VOLTS	2.5 VOLTS
M2003-N33-P1118	0 VOLT	2.50 VOLTS	5.0 VOLTS

CABLE SPEC:

10 FOOT OF 28 AWG, 10 CONDUCTOR, SHIELDED CABLE
END IS STRIPPED AND TINNED, CUT LENGTH 10'- 6"
NO CONNECTOR ON END OF CABLE. CUSTOMER MUST
INSTALL OWN CONNECTOR!

COLOR	FUNCTION
	SHIELD
RED	+5 VOLTS
BLACK	COMMON <small>J'ST & J'ST P.B. SWITCH</small>
ORANGE	X-AXIS
WHITE	Y-AXIS
WHITE/BLACK	P.B. SWITCH
GREEN	SWITCH COMMON
RED/BLACK	LEFT SWITCH
GREEN/BLACK	MIDDLE SWITCH
BLUE	RIGHT SWITCH



NOTE

FOR OPTIONAL HOLDER SEE SPEC. DWG.
A761727

CTI ELECTRONICS CORPORATION		WWW.CTIELECTRONICS.COM	
NEMA 4X ANALOG MOTION CONTROLLER FOR COMPUMOTOR			
761791		SHEET 3 OF 3	REV. B
APPROVED	DATE 12-06-10	DRAWN BY PSB	