

ANALOG JOYSTICK VOLTAGE OUTPUTS

MODEL NO.	MIN DEFLECT.	CENTER	MAX DEFLECT.
M2003-N3-P0322	0 VOLT	1.25 VOLTS	2.5 VOLTS
M2003-N3-P0323	0 VOLT	2.5 VOLTS	5 VOLTS

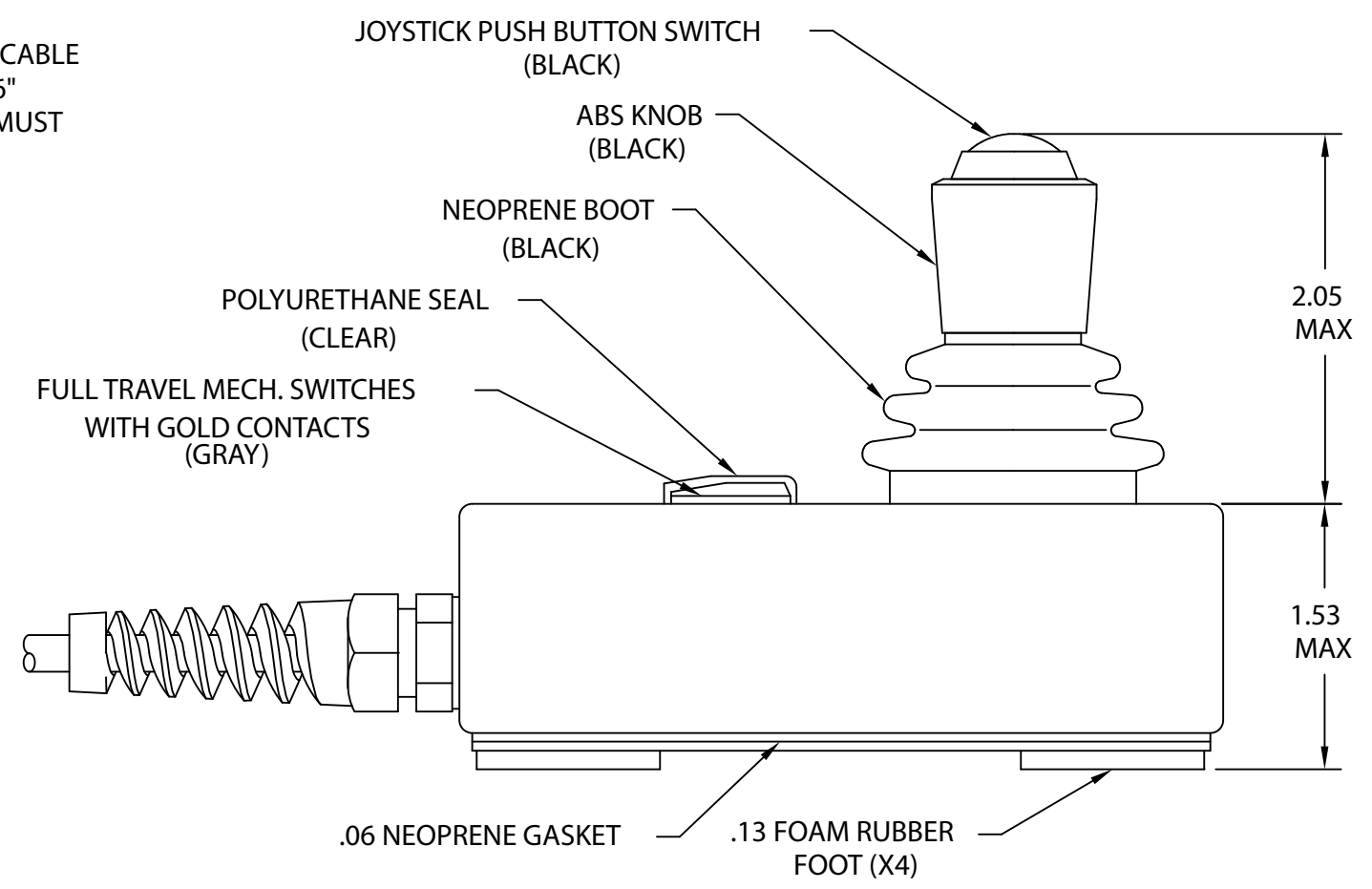
ANALOG JOYSTICK VOLTAGE OUTPUTS

MODEL NO.	MIN DEFLECT.	CENTER	MAX DEFLECT.
M2003-N3-P0511	0 VOLT	1.25 VOLTS	2.5 VOLTS
M2003-N3-P0512	0 VOLT	2.5 VOLTS	5 VOLTS

**CABLE SPEC:**

10 FOOT OF 28 AWG, 10 CONDUCTOR, SHIELDED CABLE  
 END IS STRIPPED AND TINNED, CUT LENGTH 10'- 6"  
 NO CONNECTOR ON END OF CABLE. CUSTOMER MUST  
 INSTALL OWN CONNECTOR!

COLOR	FUNCTION
	SHIELD
RED	+5 VOLTS
BLACK	COMMON <small>J'ST &amp; J'ST P.B. SWITCH</small>
ORANGE	X-AXIS
WHITE	Y-AXIS
WHITE/BLACK	P.B. SWITCH
GREEN	SWITCH COMMON
RED/BLACK	LEFT SWITCH
GREEN/BLACK	MIDDLE SWITCH
BLUE	RIGHT SWITCH



**NOTE**

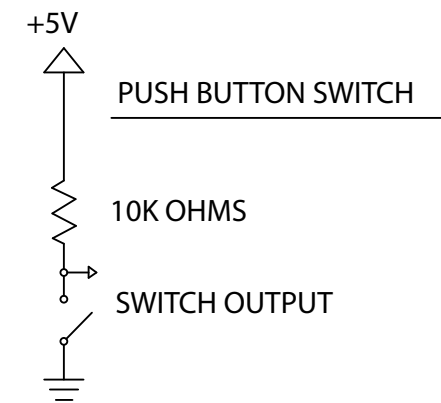
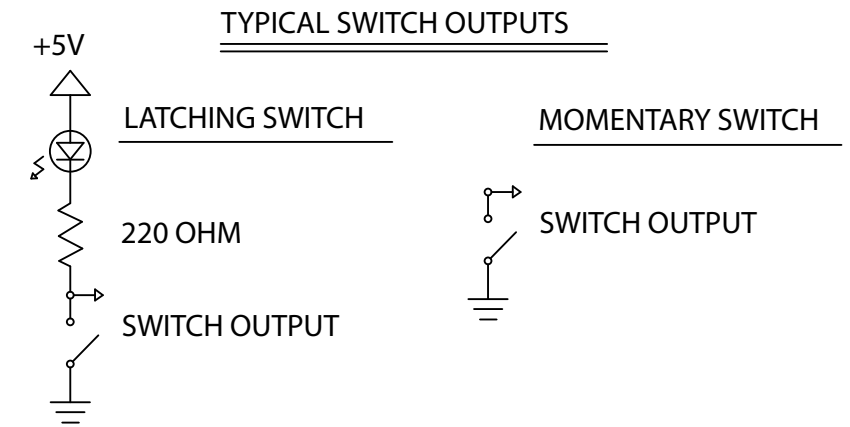
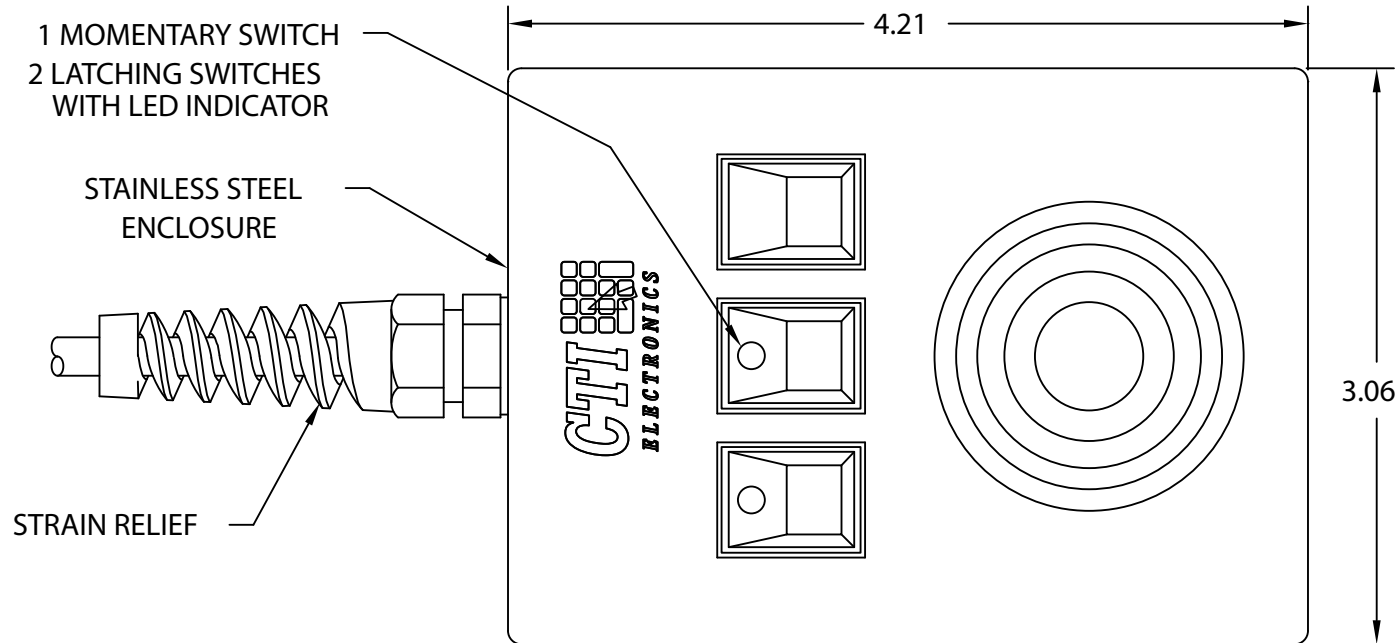
FOR OPTIONAL HOLDER SEE SPEC. DWG.  
 A761727

<b>CTI ELECTRONICS CORPORATION</b>		<b>REV. B</b>
<b>WWW.CTIELECTRONICS.COM</b>		
<b>SEALED HAND HELD ANALOG JOYSTICK FOR COMPUMOTOR INTERFACE</b>		
<b>761791</b>		<b>DRAWN BY PSB</b>
APPROVED	SHEET 1 OF 3 DATE 12-06-10	

**CABLE SPEC:**

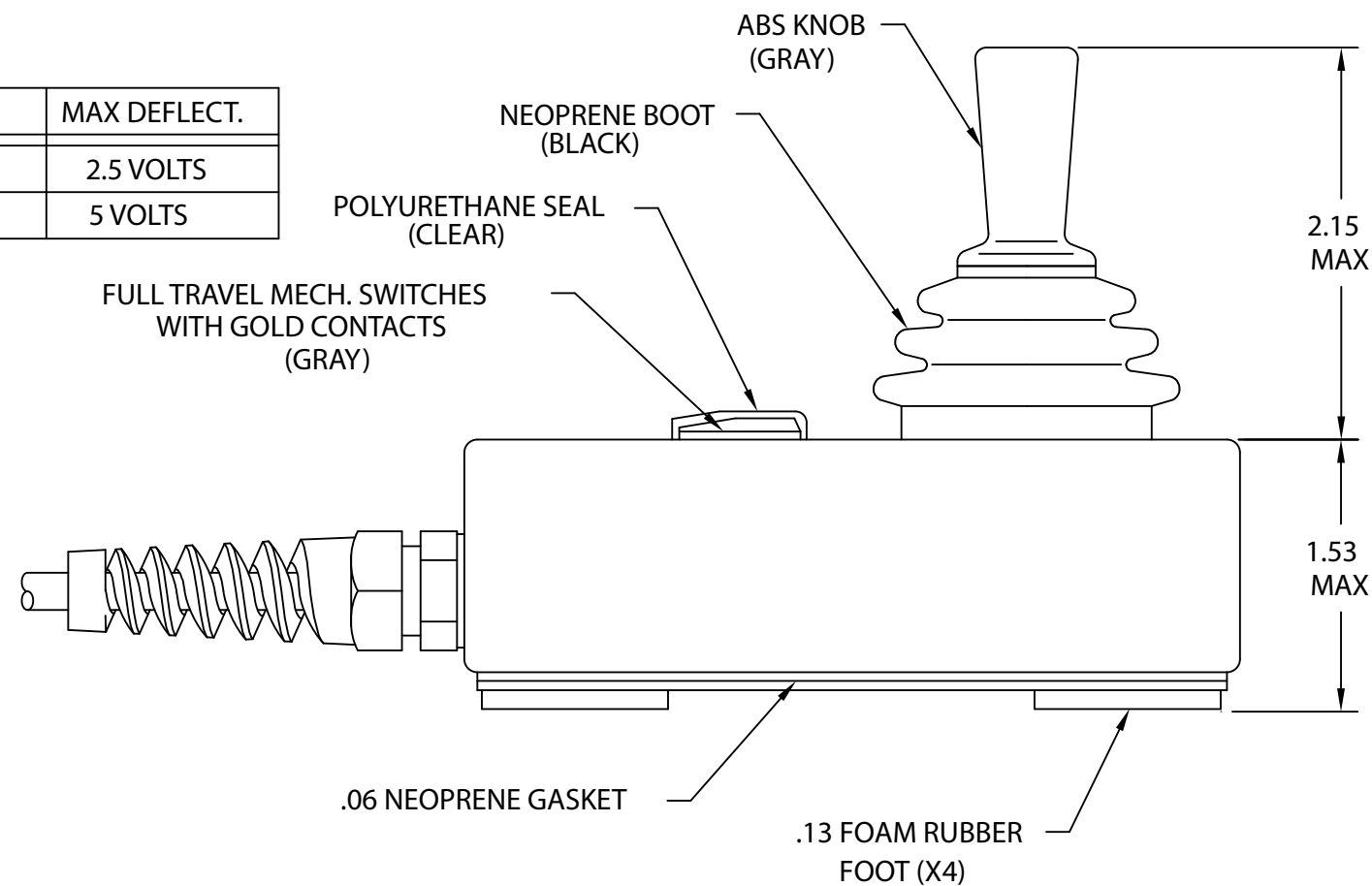
10 FOOT OF 28 AWG, 8 CONDUCTOR, SHIELDED CABLE  
 END IS STRIPPED AND TINNED, CUT LENGTH 10'- 6"  
 NO CONNECTOR ON END OF CABLE. CUSTOMER MUST  
 INSTALL OWN CONNECTOR!

COLOR	FUNCTION
	SHIELD
RED	+5 VOLTS
BLACK	COMMON <small>J'ST &amp; J'ST P.B. SWITCH</small>
ORANGE	X-AXIS
WHITE	Y-AXIS
GREEN	SWITCH COMMON
RED/BLACK	LEFT SWITCH
WHITE/BLACK	MIDDLE SWITCH
BLUE	RIGHT SWITCH



**ANALOG JOYSTICK VOLTAGE OUTPUTS**

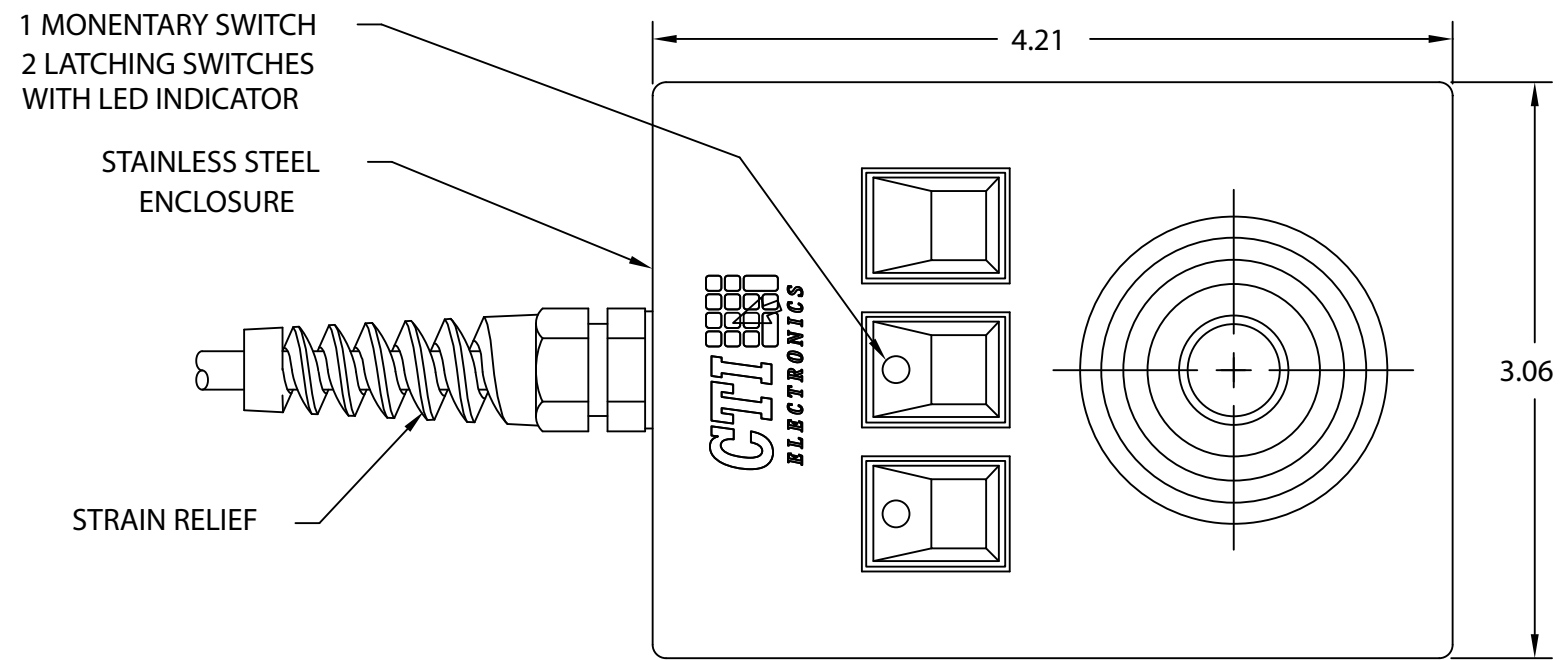
MODEL No	MIN DEFLECT.	CENTER	MAX DEFLECT.
M2003-N24-P0283	0 VOLT	1.25 VOLTS	2.5 VOLTS
M2003-N24-P0284	0 VOLT	2.5 VOLTS	5 VOLTS



**NOTE**

FOR OPTIONAL HOLDER SEE SPEC. DWG.  
 A761727

<b>CTI ELECTRONICS CORPORATION</b>		<b>REV. B</b>
<b>WWW.CTIELECTRONICS.COM</b>		
<b>SEALED HAND HELD ANALOG JOYSTICK FOR COMPUMOTOR INTERFACE</b>		
<b>761791</b>		<b>DRAWN BY PSB</b>
APPROVED	SHEET 2 OF 3 DATE 12-06-10	



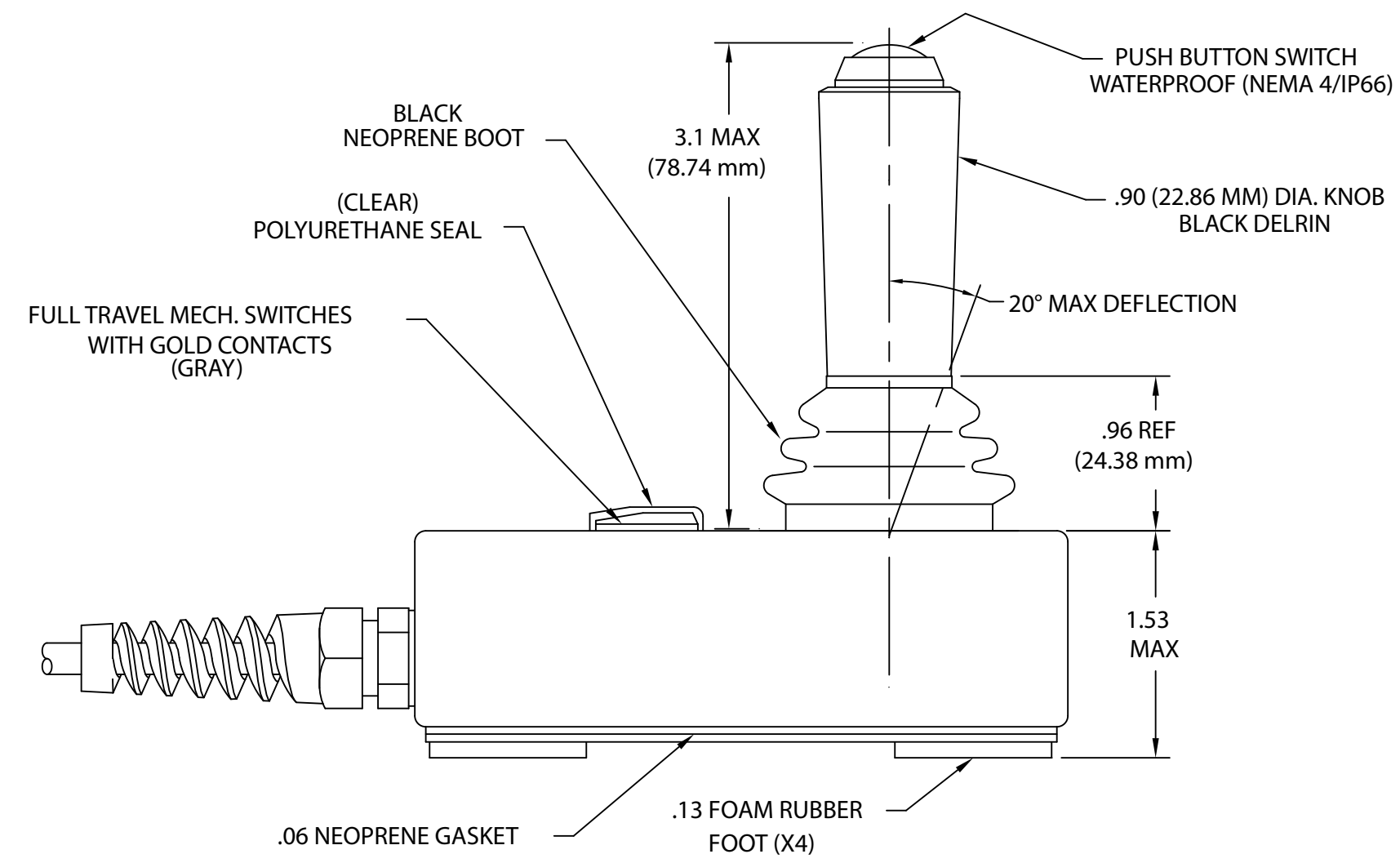
ANALOG JOYSTICK VOLTAGE OUTPUTS

MODEL No	MIN DEFLECT.	CENTER	MAX DEFLECT.
M2003-N33-P1117	0 VOLT	1.25 VOLTS	2.5 VOLTS
M2003-N33-P1118	0 VOLT	2.50 VOLTS	5.0 VOLTS

CABLE SPEC:

10 FOOT OF 28 AWG, 10 CONDUCTOR, SHIELDED CABLE  
 END IS STRIPPED AND TINNED, CUT LENGTH 10'- 6"  
 NO CONNECTOR ON END OF CABLE. CUSTOMER MUST  
 INSTALL OWN CONNECTOR!

COLOR	FUNCTION
	SHIELD
RED	+5 VOLTS
BLACK	COMMON <small>J'ST &amp; J'ST P.B. SWITCH</small>
ORANGE	X-AXIS
WHITE	Y-AXIS
WHITE/BLACK	P.B. SWITCH
GREEN	SWITCH COMMON
RED/BLACK	LEFT SWITCH
GREEN/BLACK	MIDDLE SWITCH
BLUE	RIGHT SWITCH



NOTE  
 FOR OPTIONAL HOLDER SEE SPEC. DWG.  
 A761727

<b>CTI ELECTRONICS CORPORATION</b> WWW.CTIELECTRONICS.COM	
SEALED HAND HELD ANALOG JOYSTICK FOR COMPUMOTOR INTERFACE	
<b>761791</b>	SHEET 3 OF 3
APPROVED	DATE 12-06-10
REV. <b>B</b> DRAWN BY PSB	