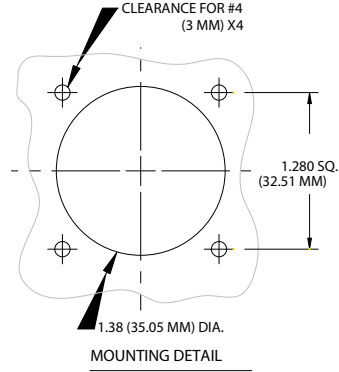
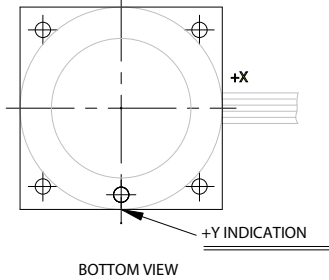
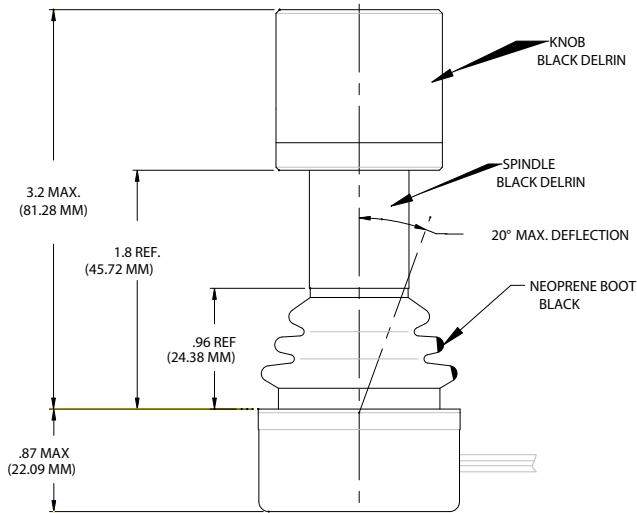
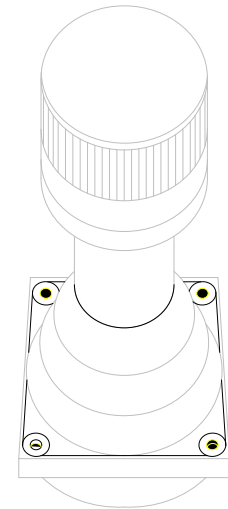
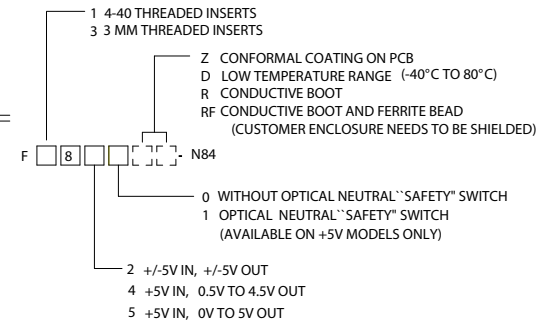


MODEL		
F1820	F1840	F1850
+5V	+5V	+5V
-5V	common	common
x out	x out	x out
common	V ref	V ref
y out	y out	y out
n/c	OPTIONAL NEUTRAL SWITCH	
z out	z out	z out

NOTE: REFERENCE DRAWING 761718



ORDERING INFORMATION:



<b>CTI</b> <u>ELECTRONICS CORPORATION</u>	
110 OLD SOUTH AVE, STRATFORD, CT 06615 WWW.CTIELECTRONICS.COM	
NEMA 4 (IP66) INDUSTRIAL JOYSTICK F1800-N84 3 AXES SERIES	
<b>761810</b>	
APPROVED	SHEET 1 OF 1 DATE 10-01-10
	REV. A DRAWN PSB