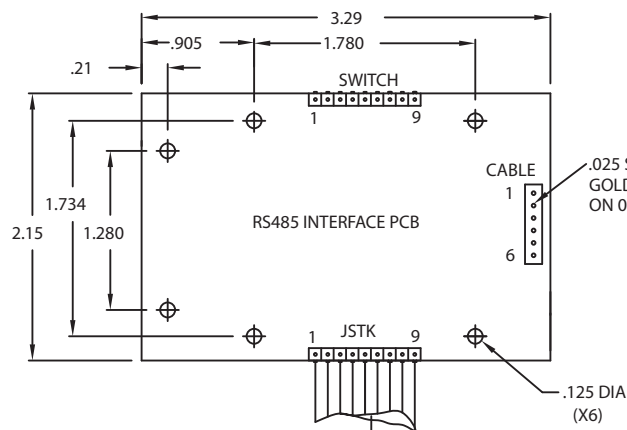
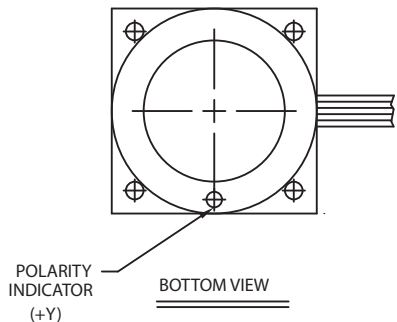
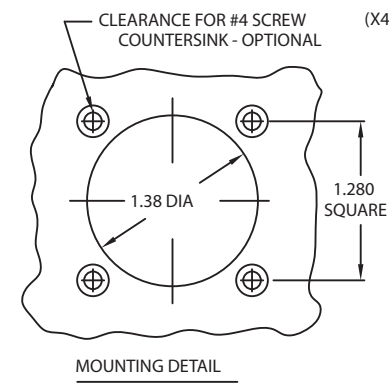
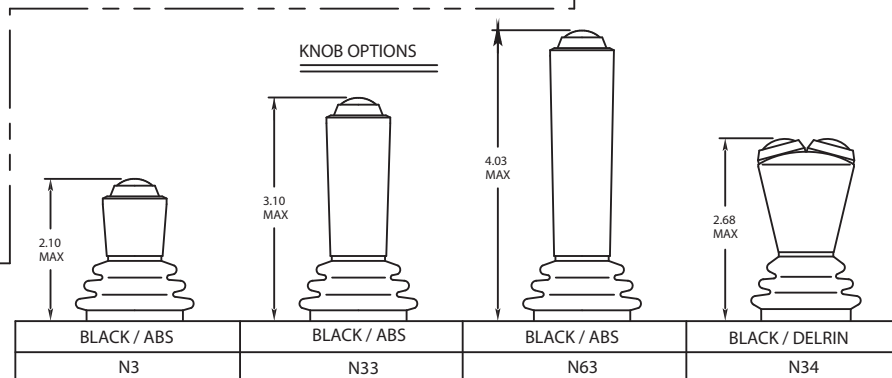
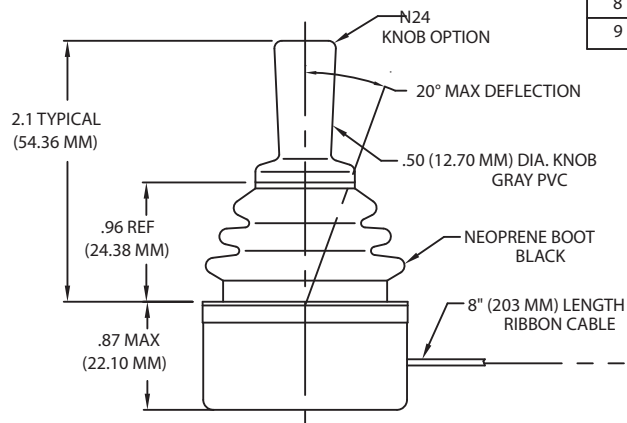


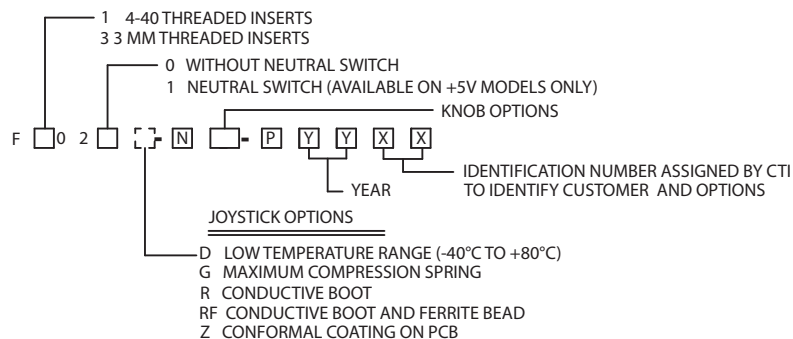
SWITCH HEADER	
PIN	FUNCTION
1	LEFT SWITCH
2	MIDDLE
3	RIGHT SWITCH
4	COMMON
5	LED (-)
6	LED (+)
7	_____
8	_____
9	_____



OUTPUT HEADER	
PIN	FUNCTION
CABLE 1	+5V SUPPLY
CABLE 2	TXD
CABLE 3	TXD
CABLE 4	RXD
CABLE 5	RXD
CABLE 6	COMMON



**ORDERING INFORMATION:**



**NOTES:**

- 1.) REFERENCE WIRING DIAGRAM 791765
- 2.) RS485 TERMINATION RESISTOR IS 1K OHM
- 3.) TYPICAL PROTOCOL REFERENCE IJ054A-2
- 4.) ALL DIMENSIONS ARE IN INCHES, EXCEPT ( ) ARE IN MILLIMETERS

**CTI** ELECTRONICS CORPORATION  
 110 OLD SOUTH AVE, STRATFORD, CT 06615  
 WWW.CTIELECTRONICS.COM

**NEMA 4 (IP66) INDUSTRIAL JOYSTICK  
 WITH RS485 SERIAL INTERFACE SYSTEM  
 SPECIFICATION DRAWING**

**761811**

SHEET 1 OF 1

REV. **A**

APPROVED

DATE 10-29-10

DRAWN PSB