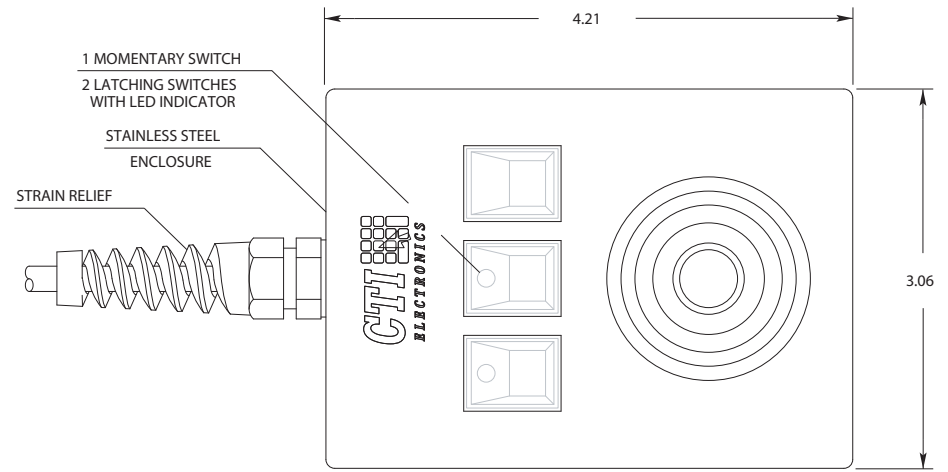


ANALOG JOYSTICK VOLTAGE OUTPUTS

MODEL NO.	MIN DEFLECT.	CENTER	MAX DEFLECT.
M2003-N3-P0322	0 VOLT	1.25 VOLTS	2.5 VOLTS
M2003-N3-P0323	0 VOLT	2.5 VOLTS	5 VOLTS



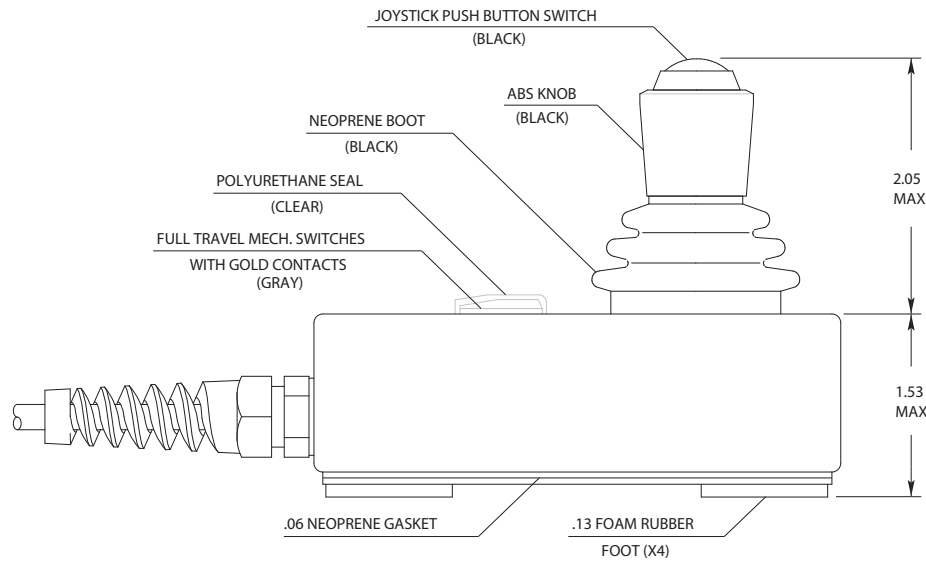
ANALOG JOYSTICK VOLTAGE OUTPUTS

MODEL NO.	MIN DEFLECT.	CENTER	MAX DEFLECT.
M2003-N3-P0511	0 VOLT	1.25 VOLTS	2.5 VOLTS
M2003-N3-P0512	0 VOLT	2.5 VOLTS	5 VOLTS

CABLE SPEC:

10 FOOT OF 28 AWG, 10 CONDUCTOR, SHIELDED CABLE
 END IS STRIPPED AND TINNED, CUT LENGTH 10'- 6"
 NO CONNECTOR ON END OF CABLE. CUSTOMER MUST
 INSTALL OWN CONNECTOR!

COLOR	FUNCTION
	SHIELD
RED	+5 VOLTS
BLACK	COMMON <small>JST & JST P.B. SWITCH</small>
ORANGE	X-AXIS
WHITE	Y-AXIS
WHITE/BLACK	P.B. SWITCH
GREEN	SWITCH COMMON
RED/BLACK	LEFT SWITCH
GREEN/BLACK	MIDDLE SWITCH
BLUE	RIGHT SWITCH

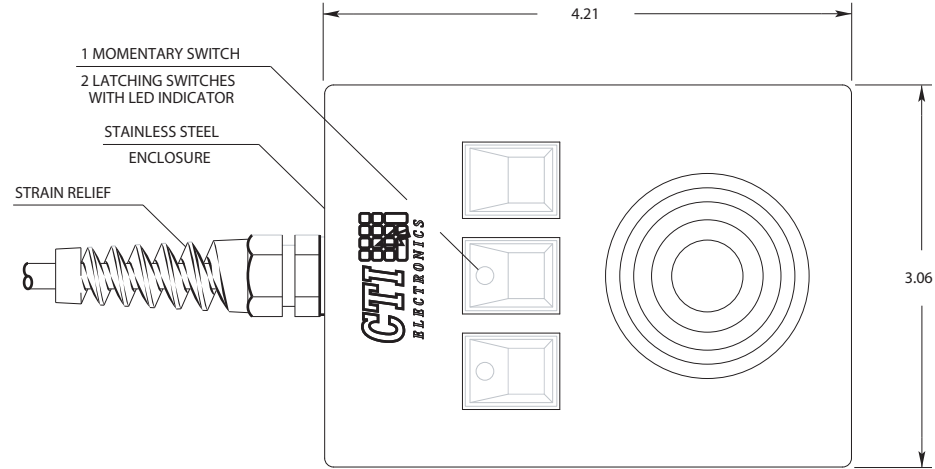
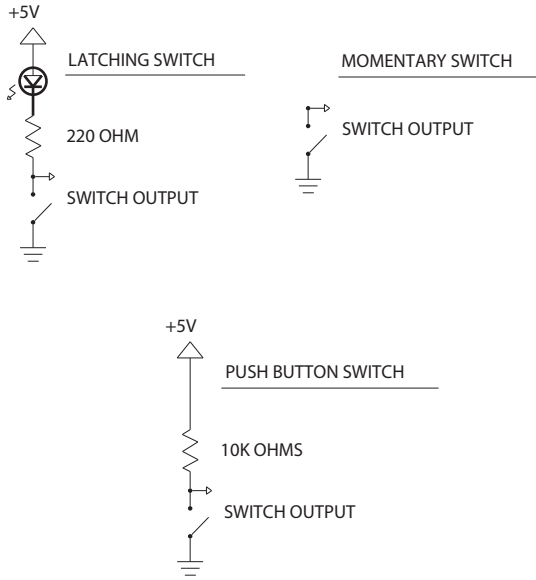


NOTE:

FOR OPTIONAL HOLDER SEE SPEC. DWG. A761727

CTI ELECTRONICS CORPORATION		
110 Old South Ave, Stratford, CT 06615 - Tel 203 / 386-9779 - Fax 203 / 378-4986 - www.ctieletronics.com		
TITLE:	CAGE CODE #OK9X9	
SEALED HAND HELD ANALOG JOYSTICK FOR COMPUMOTOR INTERFACES		
REV. A	DATE:	08-26-08
APPROVED:	DRAWN:	S.SZERSZEN
		B761791
		1 OF 2

TYPICAL SWITCH OUTPUTS



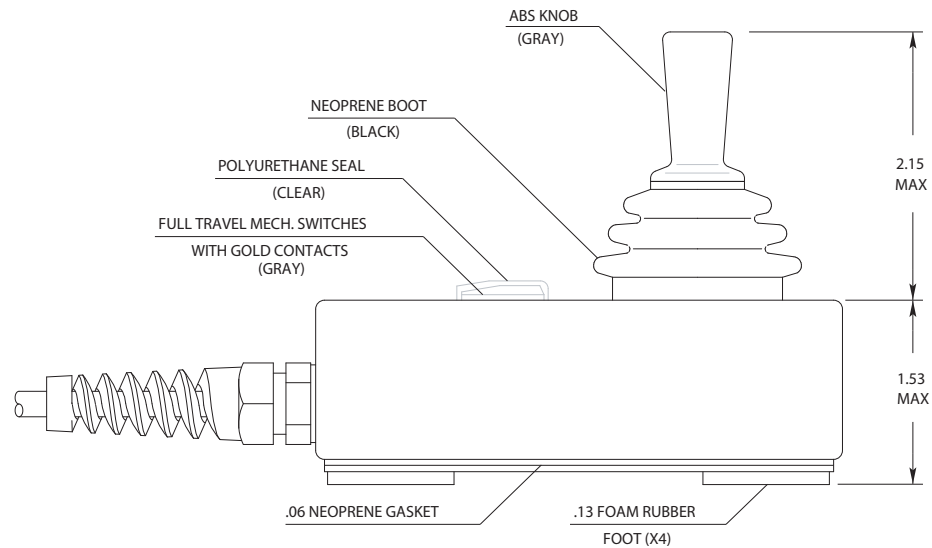
ANALOG JOYSTICK VOLTAGE OUTPUTS

MODEL NO.	MIN DEFLECT.	CENTER	MAX DEFLECT.
M2003-N24-P0283	0 VOLT	1.25 VOLTS	2.5 VOLTS
M2003-N24-P0284	0 VOLT	2.5 VOLTS	5 VOLTS

CABLE SPEC:

10 FOOT OF 28 AWG, 8 CONDUCTOR, SHIELDED CABLE
 END IS STRIPPED AND TINNED, CUT LENGTH 10'- 6"
 NO CONNECTOR ON END OF CABLE. CUSTOMER MUST
 INSTALL OWN CONNECTOR!

COLOR	FUNCTION
	SHIELD
RED	+5 VOLTS
BLACK	COMMON <small>JST & JST P.B. SWITCH</small>
ORANGE	X-AXIS
WHITE	Y-AXIS
GREEN	SWITCH COMMON
RED/BLACK	LEFT SWITCH
WHITE/BLACK	MIDDLE SWITCH
BLUE	RIGHT SWITCH



NOTE:

FOR OPTIONAL HOLDER SEE SPEC. DWG. A761727

CTI ELECTRONICS CORPORATION	
110 Old South Ave., Stratford, CT 06615 - Tel 203 / 386-9779 - Fax 203 / 378-4986 - www.ctieletronics.com	
TITLE:	CAGE CODE #OK9X9
SEALED HAND HELD ANALOG JOYSTICK FOR COMPUMOTOR INTERFACES	
REV. A	DATE: 08-26-08
APPROVED:	DRAWN: S.SZERSZEN
B761791	
2 OF 2	