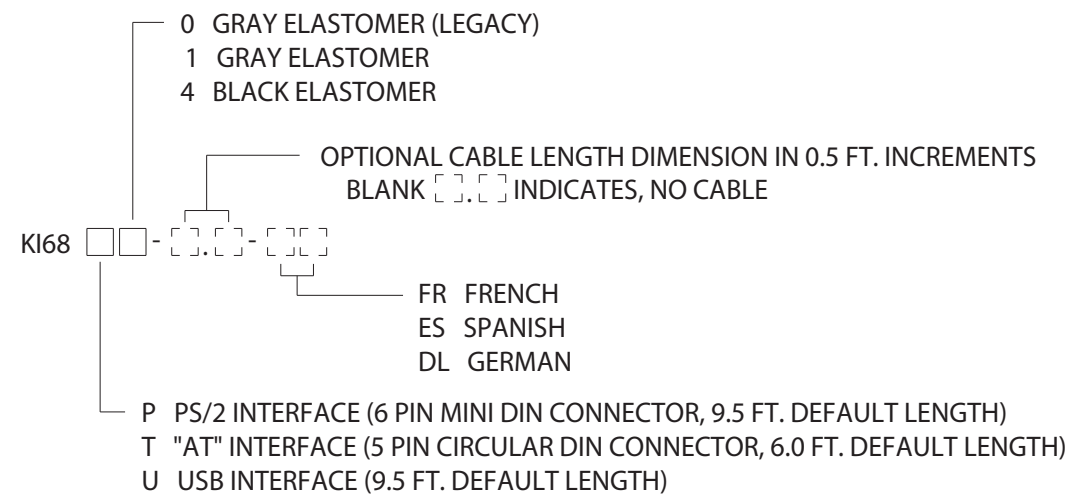


SILICONE KEYBOARD WITH SYN-PROOF (tm) COATING

WEIGHT SPECIFICATION:
 KEYBOARD WITH PCB APPROX. 6 OZ. (170 GRAMS)
 6.0 FT. CABLE APPROX. 3 OZ. (85 GRAMS)
 9.5 FT. CABLE APPROX. 4 OZ. (113 GRAMS)

ORDERING INFORMATION:



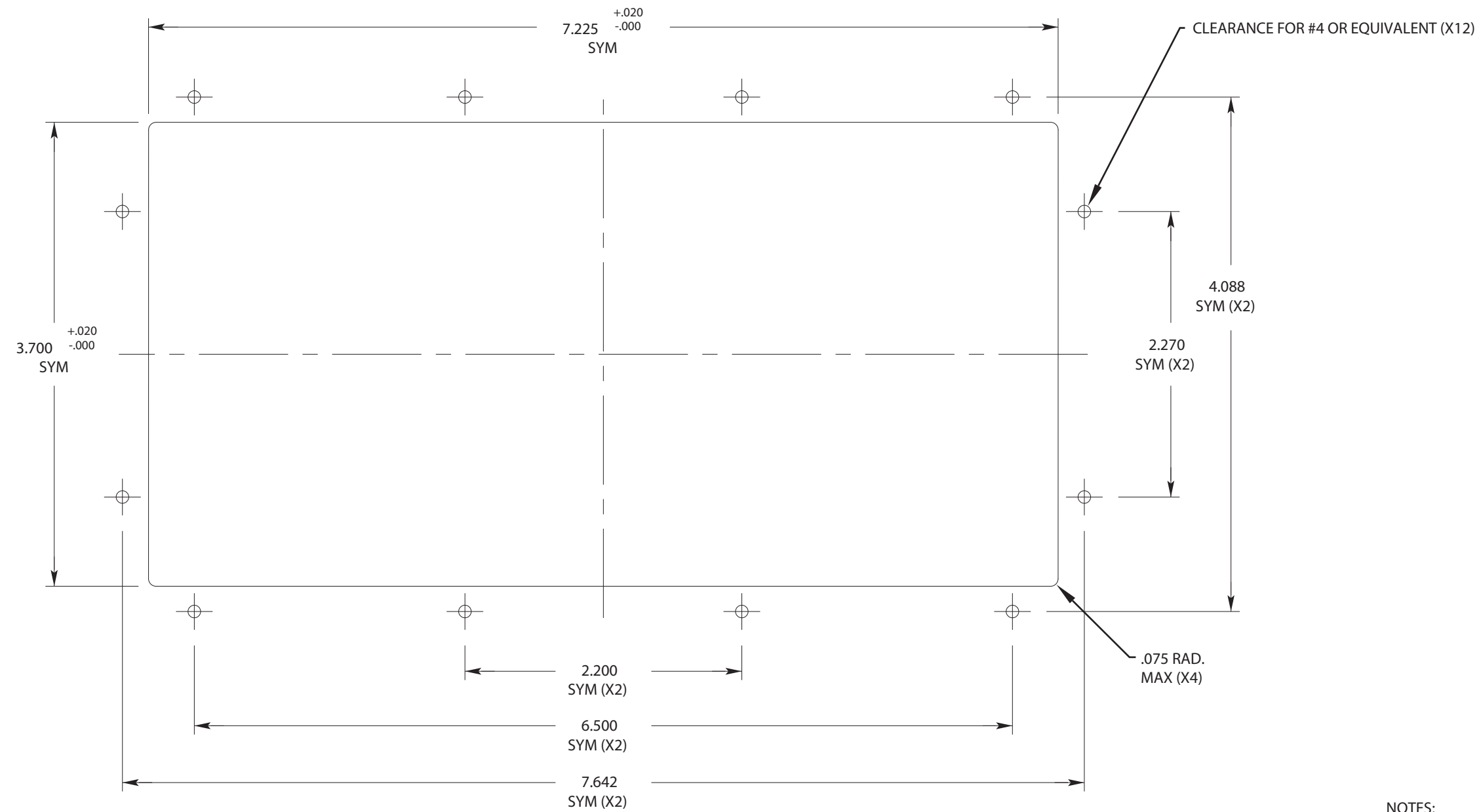
CTI ELECTRONICS CORPORATION
 110 Old South Ave, Stratford, CT 06615 - Tel 203 / 386-9779 - Fax 203 / 378-4986 - www.ctielectronics.com

TITLE: **OEM KEYBOARD
 KI6800 SERIES**

REV. D DATE: 03-14-07

APPROVED: DRAWN: S.SZERSZEN

B761747 1 OF 2



MOUNTING DETAIL

NOTES:

1. DEBURR ALL EDGES
2. USE #4 STAINLESS HARDWARE FOR MOUNTING.
3. TAKE 'ESD' PRECAUTIONS DURING INSTALLATION AS ELECTRONIC COMPONENTS ARE EXPOSED.

CTI ELECTRONICS CORPORATION <small>110 Old South Ave., Stratford, CT 06615 - Tel 203 / 386-9779 - Fax 203 / 378-4986 - www.ctielelectronics.com</small>	
TITLE: OEM KEYBOARD KI6800 SERIES	
REV. D DATE: 03-14-07	B761747
APPROVED: DRAWN: S.SZERSZEN	
2 OF 2	